

507-108 EMI/RFI Tinel-Lock™ Backshell for MIL-DTL-81659 Connectors

507-108 NF 10

Basic Part No. _____ Dash No. (Table I)

Finish _____

B = Cadmium Plate/Olive Drab
 M = Electroless Nickel
 N = Cadmium Plate/Olive Drab over Nickel Plate
 NF = Cadmium Olive Drab over Electroless Nickel (1000 Hour Salt Spray)

1. Metric dimensions (mm) are indicated in parentheses.
2. Material/Finish:
 Backshell = Al Alloy/Finish Per Option
 Gasket = Metex/N.A.
 Hardware = Cres/Passivate
3. Tinel-Lock™ Ring must be purchased from manufacturer. Glenair does not supply. A Glenair Band-it™ slim-micro band or standard micro-band can be used in lieu of a Tinel-Lock™ Ring. See Band-Master ATS catalog for details.
4. For effective grounding, connector with conductive finish should be used.

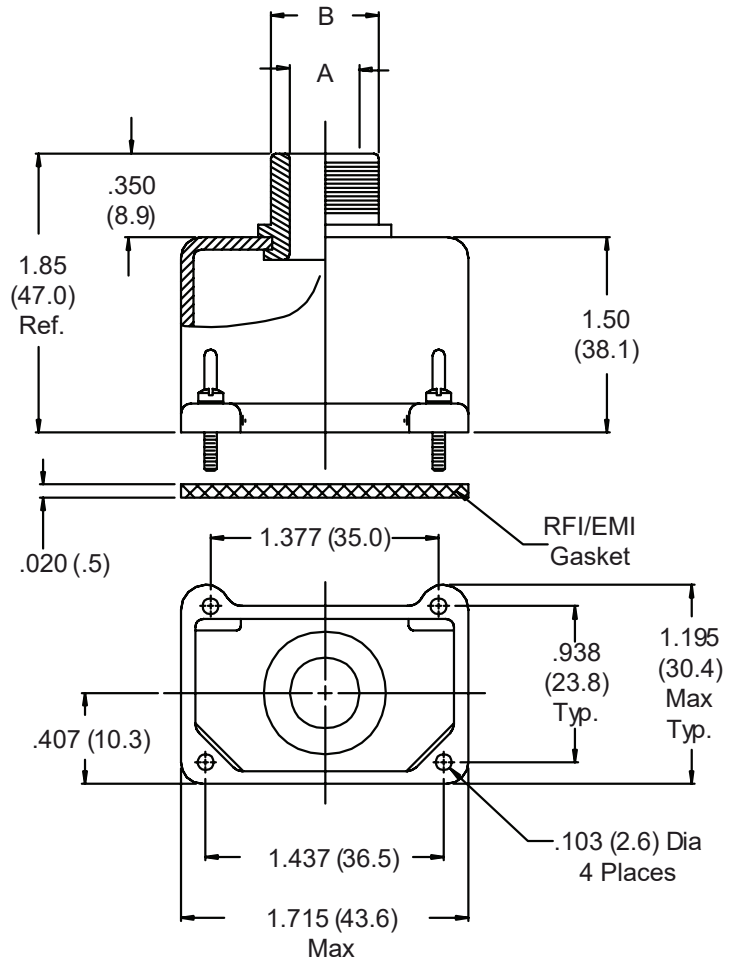


TABLE I: CABLE ENTRY

Dash No	A		B Dia Max
	+0.010	(.3)	
04	.250	(6.4)	.375 (9.5)
05	.312	(7.9)	.437 (11.1)
06	.375	(9.5)	.500 (12.7)
07	.437	(11.1)	.562 (14.3)
08	.500	(12.7)	.625 (15.9)
10	.650	(16.5)	.750 (19.1)