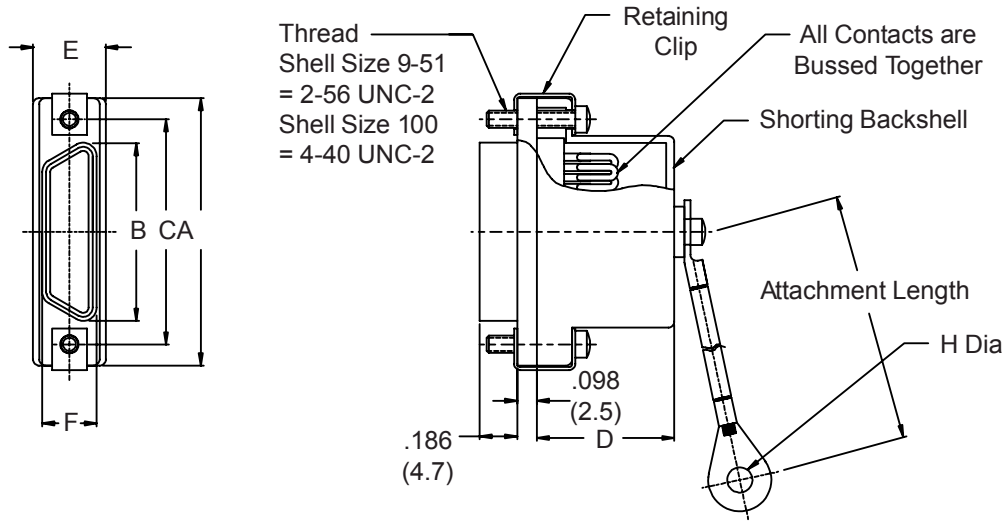


# 177-007 Shorting Plug for Micro-D Connectors



MIL-DTL-83513  
Micro-D



**TABLE I: CONNECTOR INTERFACE DIMENSIONS**

Shell Size	A	B	C	D ±.003 (0.8)	E	F
9	.775 (19.7)	.333 (8.5)	.565 (14.4)	.320 (8.1)	.360 (9.1)	.185 (4.7)
15	.925 (23.5)	.483 (12.3)	.715 (18.2)	.440 (11.2)	.360 (9.1)	.185 (4.7)
21	1.075 (27.3)	.633 (16.1)	.865 (22.0)	.560 (14.2)	.360 (9.1)	.185 (4.7)
25	1.175 (29.8)	.733 (18.6)	.965 (24.5)	.620 (15.7)	.360 (9.1)	.185 (4.7)
31	1.325 (33.7)	.883 (22.4)	1.115 (28.3)	.680 (17.3)	.360 (9.1)	.185 (4.7)
37	1.475 (37.5)	1.033 (26.2)	1.265 (32.1)	.720 (18.3)	.360 (9.1)	.185 (4.7)
51	1.425 (36.2)	.983 (25.0)	1.215 (30.9)	.750 (19.1)	.400 (10.2)	.228 (5.8)
100	2.160 (54.9)	1.383 (35.1)	1.800 (45.7)	.810 (20.6)	.450 (11.4)	.271 (6.9)

**TABLE II: FASTENER**

Dash No.	H Dia
01	.140 (3.6)
02	.182 (4.6)
03	.191 (4.9)
04	.197 (5.0)
05	.167 (4.2)
06	.125 (3.2)

## HOW TO ORDER

Series- Basic Part Number	Shell Size (Table I)	Contact Type	Shell Plating Table III*	Hardware Options *	Attachment Type	Attach. Length	Attach. Dash No.
<b>177-007</b>	<b>9</b>	<b>P</b> – Pin	<b>1</b> – Cadmium	<b>B</b> – (2) Male Fillister Head <b>E</b> – (2) Extended Jackscrew <b>H</b> – (2) Male Hex Socket <b>F</b> – (2) Female Jackpost <b>N</b> – No Hardware	<b>F</b> – Wire Rope, Nylon Jacket <b>H</b> – Wire Rope, Teflon Jacket <b>N</b> – None <b>R</b> – Wire Rope, PVC Jacket <b>T</b> – Wire Rope, No Jacket	One Inch Incre- ments	<b>01</b>
	<b>15</b>	<b>S</b> – Socket	<b>2</b> – Nickel				<b>02</b>
	<b>21</b>		<b>4</b> – Black Anodize				<b>03</b>
	<b>25</b>		<b>5</b> – Gold				<b>04</b>
	<b>31</b>		<b>6</b> – Chem Film				<b>05</b>
	<b>37</b>						<b>06</b>
	<b>51</b>						
<b>100</b>							
<b>Sample Part Number:</b>							
<b>177-007</b>	<b>— 9</b>	<b>P</b>	<b>1</b>	<b>B</b>	<b>H</b>	<b>6</b>	<b>— 02</b>

\* SEE PAGE C-4 FOR COMPLETE INFORMATION

Metric dimensions (mm) are indicated in parentheses.