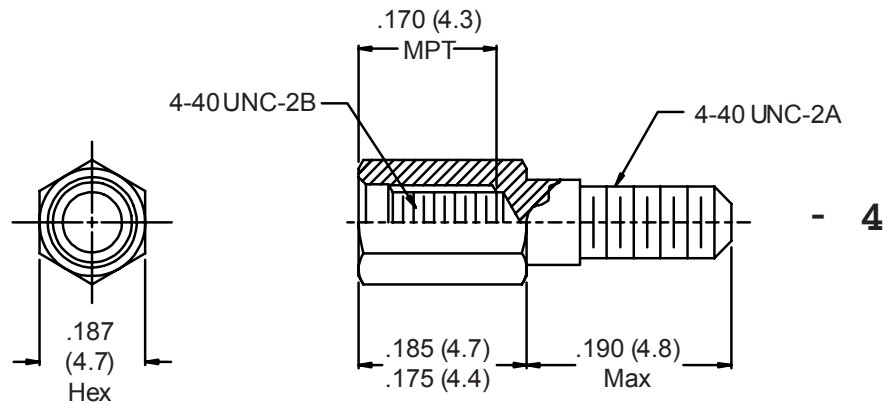
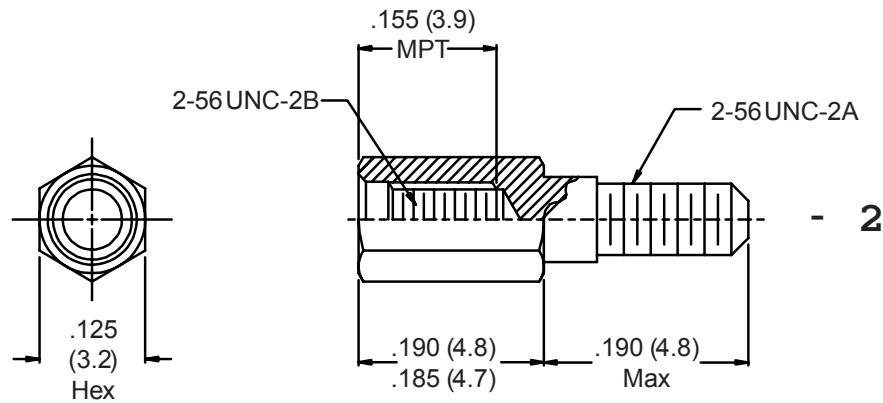


**500-063**  
**Micro-D Jackpost Kit**  
**for Printed Circuit Boards**



HOW TO ORDER	
Series-Basic Part Number	Thread Size
500-063	1 - 09-51 #2-56 Thread
	2 - 100 #4-40 Thread
<b>Sample Part Number:</b>	
500-063	- 2
<b>SEE PAGE C-4 FOR STANDARD MATERIALS INFORMATION</b>	

Metric dimensions (mm) are indicated in parentheses