

527-251 EMI-RFI Banding Backshell Assembly for Boeing BACC65 Connector

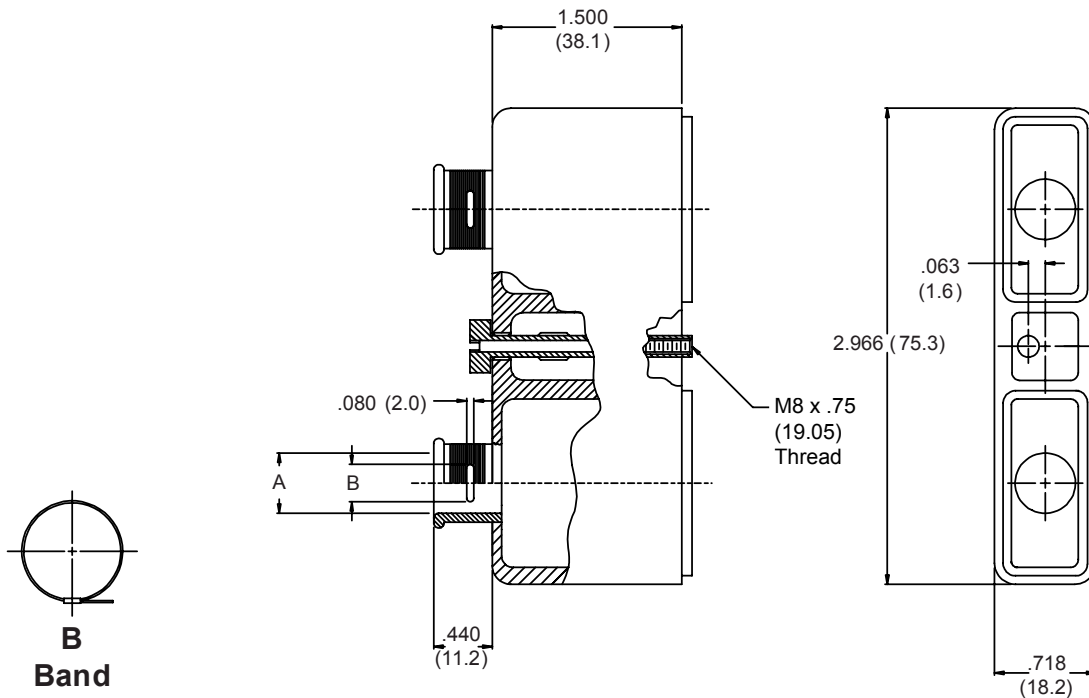
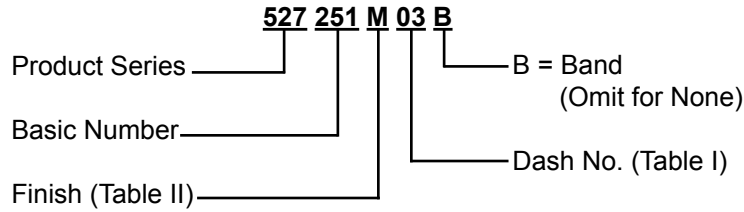


TABLE I: CABLE ENTRY					
Dash No.	A		B Dim		Number of Braid Slots
02	.250	(6.4)	.190	(4.8)	2
32	.312	(7.9)	.250	(6.4)	2
03	.375	(9.5)	.280	(7.1)	2
33	.438	(11.1)	.310	(7.9)	2
04	.500	(12.7)	.380	(9.7)	2

TABLE I: FINISH OPTIONS			
Symbol	Finish	Symbol	Finish
B	Cadmium Plate/Olive Drab	NC	Zinc Cobalt/Dark Olive Drab
C*	Black Anodize	NF	Cadmium Plate/Olive Drab over Electroless Nickel
G*	Anodic Hard Coat	T	Cadmium Plate/Bright over Electroless Nickel
J	Gold Iridite over Cadmium Plate over Electroless Nickel	U**	Cadmium Plate/Black
LF	Cadmium Plate/Bright over Electroless Nickel	ZN	Zinc-Nickel Alloy/Olive Drab
M	Electroless Nickel	*Anodize finish is not suitable for EMI shielding or grounding applications. **Applicable to corrosion resisting steel backshells and accessories. Consult factory for other available finishes.	
N	Cadmium Plate/Olive Drab over Electroless Nickel		

Metric dimensions (mm) are indicated in parentheses