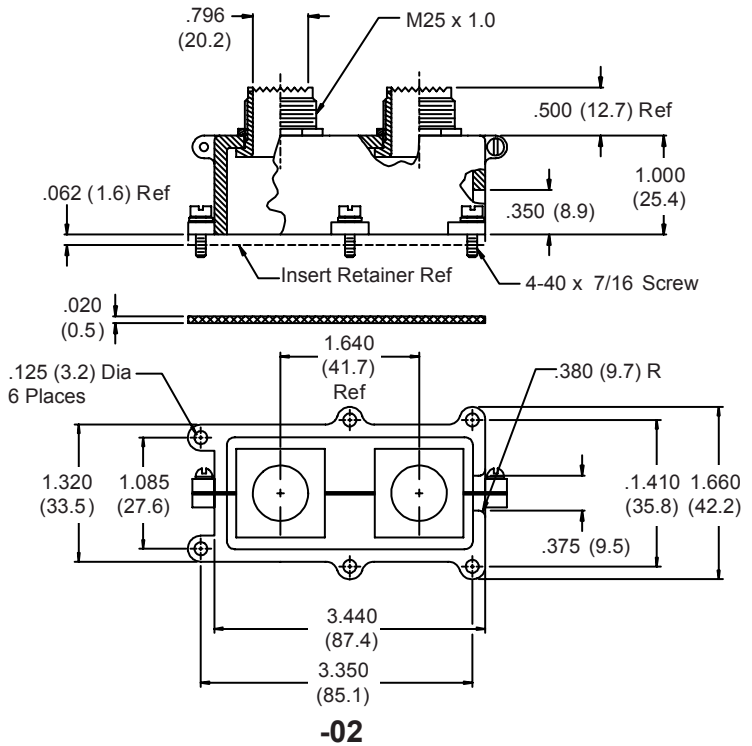
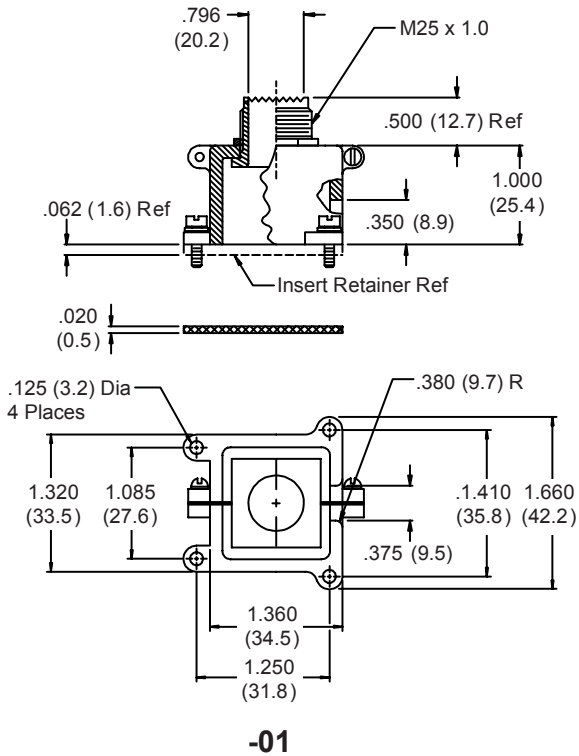
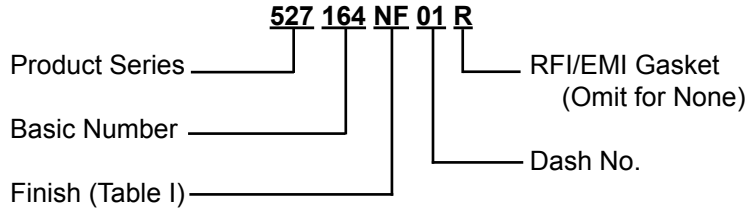




527-164 Backshell Assembly

with MIL-C-38999, Series III Accessory Threads
for Size 2 ARINC 600 Series Connectors



NOTES:

1. Metric dimensions (mm) are indicated in parentheses.
2. Backshell must be used in conjunction with Insert Retainer Plates.

Symbol	Finish	Symbol	Finish
B	Cadmium Plate/Olive Drab	NC	Zinc Cobalt/Dark Olive Drab
C*	Black Anodize	NF	Cadmium Plate/Olive Drab over Electroless Nickel
G*	Anodic Hard Coat	T	Cadmium Plate/Bright over Electroless Nickel
J	Gold Iridite over Cadmium Plate over Electroless Nickel	U**	Cadmium Plate/Black
LF	Cadmium Plate/Bright over Electroless Nickel	ZN	Zinc-Nickel Alloy/Olive Drab
N	Cadmium Plate/Olive Drab over Electroless Nickel		

*Anodize finish is not suitable for EMI shielding or grounding applications.
**Applicable to corrosion resisting steel backshells and accessories. Consult factory for other available finishes.