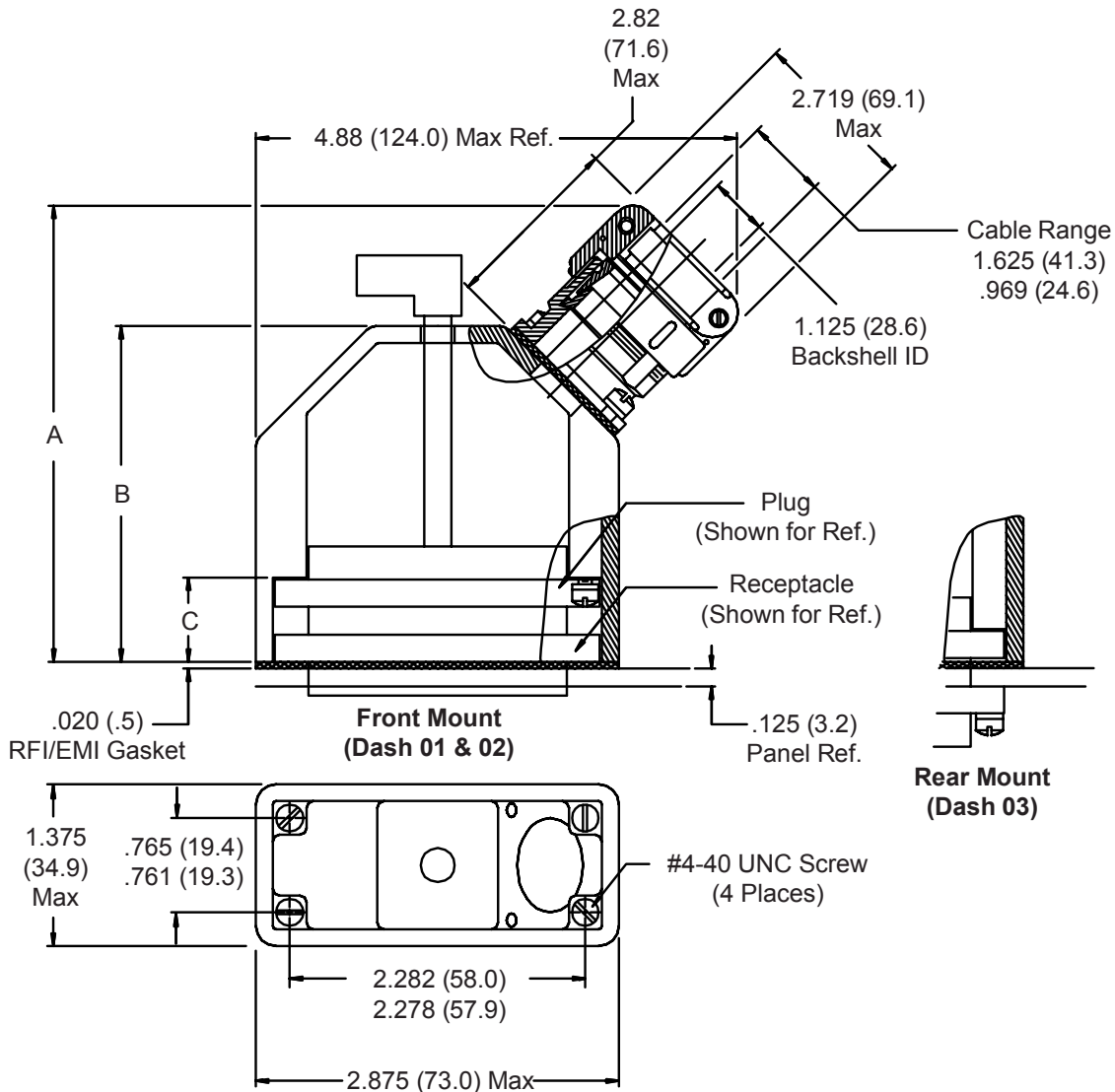


527-015 Solid Strain-Relief Backshell for Cannon DL2-96 Series Connectors

527-015 M 01

Basic Part No. _____
 Finish Symbol (Table II) _____
 Dash No. (Table I) _____



527-015
Solid Strain-Relief Backshell for
Cannon DL2-96 Series Connectors



ARINC
Series 400
(Cannon)

| TABLE I: BACKSHELL DIMENSIONS & CONTACT STYLE | | | | |
|--|--------------------------------|-----------------|-------------|--------------|
| Dash | | A | B | C |
| No. | Connector/Contact Style | Max Ref. | Max | Max |
| 01 | Front Mount/Crimp | 4.72 (119.9) | 2.72 (69.1) | .845 (21.5) |
| 02 | Front Mount/Wire Wrap | 5.06 (128.5) | 3.05 (77.5) | 1.165 (29.6) |
| 03 | Rear Mount/Crimp | 4.38 (111.3) | 2.35 (59.7) | .470 (11.9) |

| TABLE II - FINISH OPTIONS | |
|---|--|
| Symbol | Finish |
| B | Cadmium Plate, Olive Drab |
| J | Iridite, Gold Over Cadmium Plate over Nickel |
| M | Electroless Nickel |
| N | Cadmium Plate, Olive Drab, Over Nickel |
| NF | Cadmium Plate, Olive Drab, Over Electroless Nickel (500 Hour Salt Spray) |
| T | Cadmium Plate, Bright Dip Over Nickel (500 Hour Salt Spray) |
| CONSULT FACTORY FOR OTHER AVAILABLE FINISHES | |

1. Metric dimensions (mm) are indicated in parentheses.
2. Bond RFI/EMI gasket to panel with conductive adhesive (Installed thickness not to exceed .045 (1.1)).
3. Material/Finish:
 Backshell, Adapter, Ferrules, and Clamp = Al Alloy/Table II
 Hardware = SST/Passivate
 Gasket = Metex/N.A.