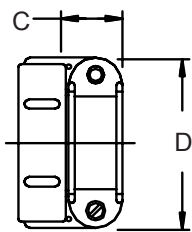
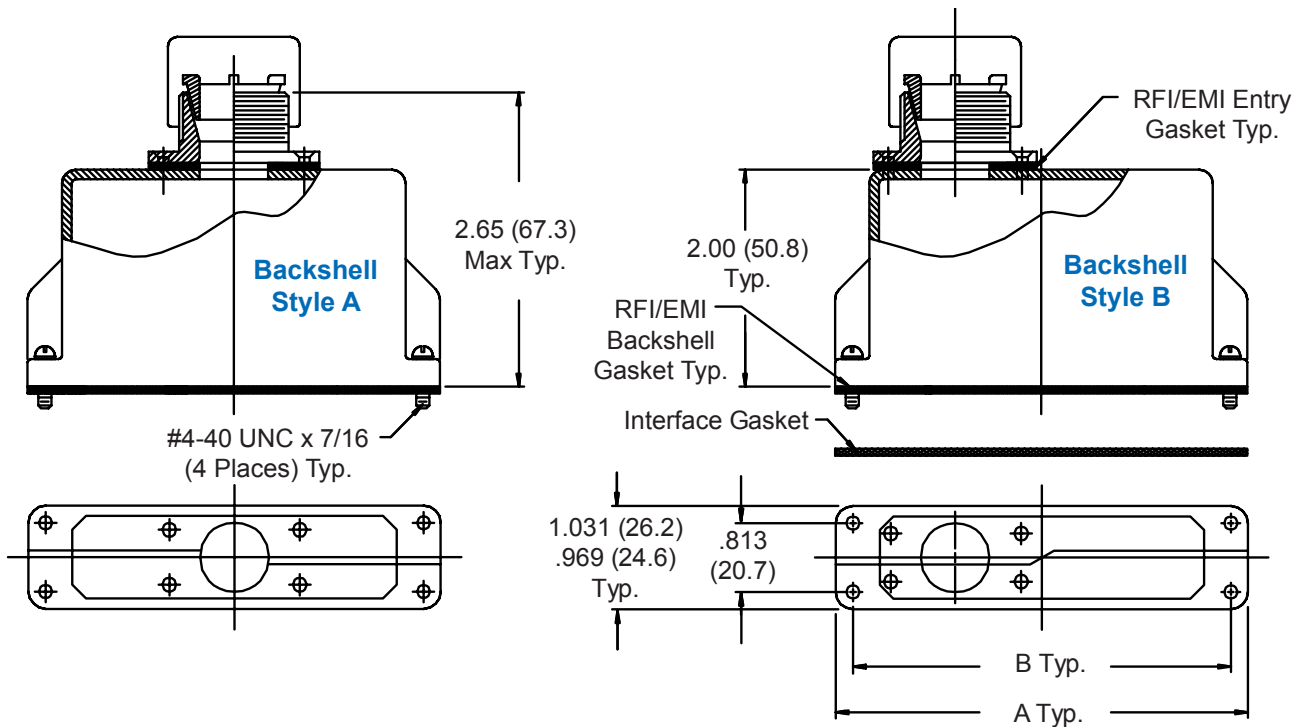


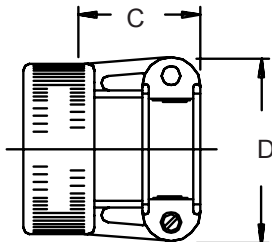
527-016 Split EMI/RFI Conical Ring Style Backshell for Cannon DPKA and DPKB Series Connectors

527-016 M 10 A 1 A M

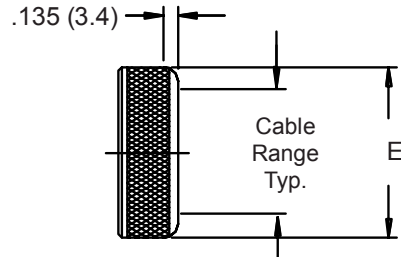
- Basic Part No. _____
- Finish Symbol (Table III) _____
- Dash No. (Table II) _____
- Connector Symbol (Table I) _____
- Strain Relief (Style A or D) or Gland Nut (Style M)
- Backshell Style: A or B (Style B Available on Connector Sym B Only)
- 1 = With RFI/EMI Gaskets,
2 = Without RFI/EMI Gaskets



**Strain Relief
Style A**



**Strain Relief
Style M**



**Gland Nut
Style D**

527-016
Split EMI/RFI Conical Ring Style Backshell
for Cannon DPKA and DPKB Series Connectors



ARINC
Series 400
(Cannon)

TABLE I: CONNECTOR INTERFACE DIMS

Connector Symbol	Connector Series	A ±.062 (1.6)	B ±.005 (.1)
A	DPKA	2.095 (53.2)	1.895 (48.1)
B	DPKB/DPJM	3.395 (86.2)	3.195 (81.2)

TABLE II: CABLE ENTRY

Dash No.	C Max	D Max	E Max	Cable Range	
				Min	Max
03	.760 (19.3)	.843 (21.4)	.630 (16.0)	.156 (4.0)	.250 (6.4)
04	.760 (19.3)	.906 (23.0)	.755 (19.2)	.188 (4.8)	.312 (7.9)
06	.760 (19.3)	1.093 (27.8)	.942 (23.9)	.281 (7.1)	.438 (11.1)
08	.760 (19.3)	1.187 (30.1)	1.067 (27.1)	.344 (8.7)	.562 (14.3)
10	.760 (19.3)	1.281 (32.5)	1.192 (30.3)	.375 (9.5)	.625 (15.9)
12	.760 (19.3)	1.500 (38.1)	1.380 (35.1)	.438 (11.1)	.750 (19.1)

TABLE III - FINISH OPTIONS

Symbol	Finish
B	Cadmium Plate, Olive Drab
J	Iridite, Gold Over Cadmium Plate over Nickel
M	Electroless Nickel
N	Cadmium Plate, Olive Drab, Over Nickel
NF	Cadmium Plate, Olive Drab, Over Electroless Nickel (500 Hour Salt Spray)
T	Cadmium Plate, Bright Dip Over Nickel (500 Hour Salt Spray)

**CONSULT FACTORY FOR
OTHER AVAILABLE FINISHES**

1. Metric dimensions (mm) are indicated in parentheses.
2. Material/Finish:
 - Adapter, Backshell, Clamp Assemblies,
 - Gland Nut = Al Alloy/Table II
 - Hardware = SST/Passivate
 - Backshell and Entry Gaskets = Metalastic/N.A.
 - Interface Gasket = Monel Mesh/N.A.