

527-070
Solid Tag Ring® EMI/RFI Backshell
with Strain-Relief
for Cannon DPXA Series Connectors



ARINC
 Series 400
 (Cannon)

527-070 B L S T

Basic Part No. _____

Finish (Table I), Omit for Electroless Nickel _____

L = Strain Relief, _____
 Omit for Gland Nut

S = Side Entry _____
 Omit for Top

T = Shrink Boot (Series 77 Part No. 770-001S108) Provided, Omit for None _____

1. Metric dimensions (mm) are indicated in parentheses.
2. Material/Finish:
 Backshell, Tag Ring Body and Clamp = Al Alloy/Finish Per Part No. Development
 Tag Ring Nut = Al Alloy/Gold Iridite
 Tag Ring Spring = Beryllium Copper/Gold Plate
 Hardware = SST/Passivate
 RFI Gasket = Metalastic

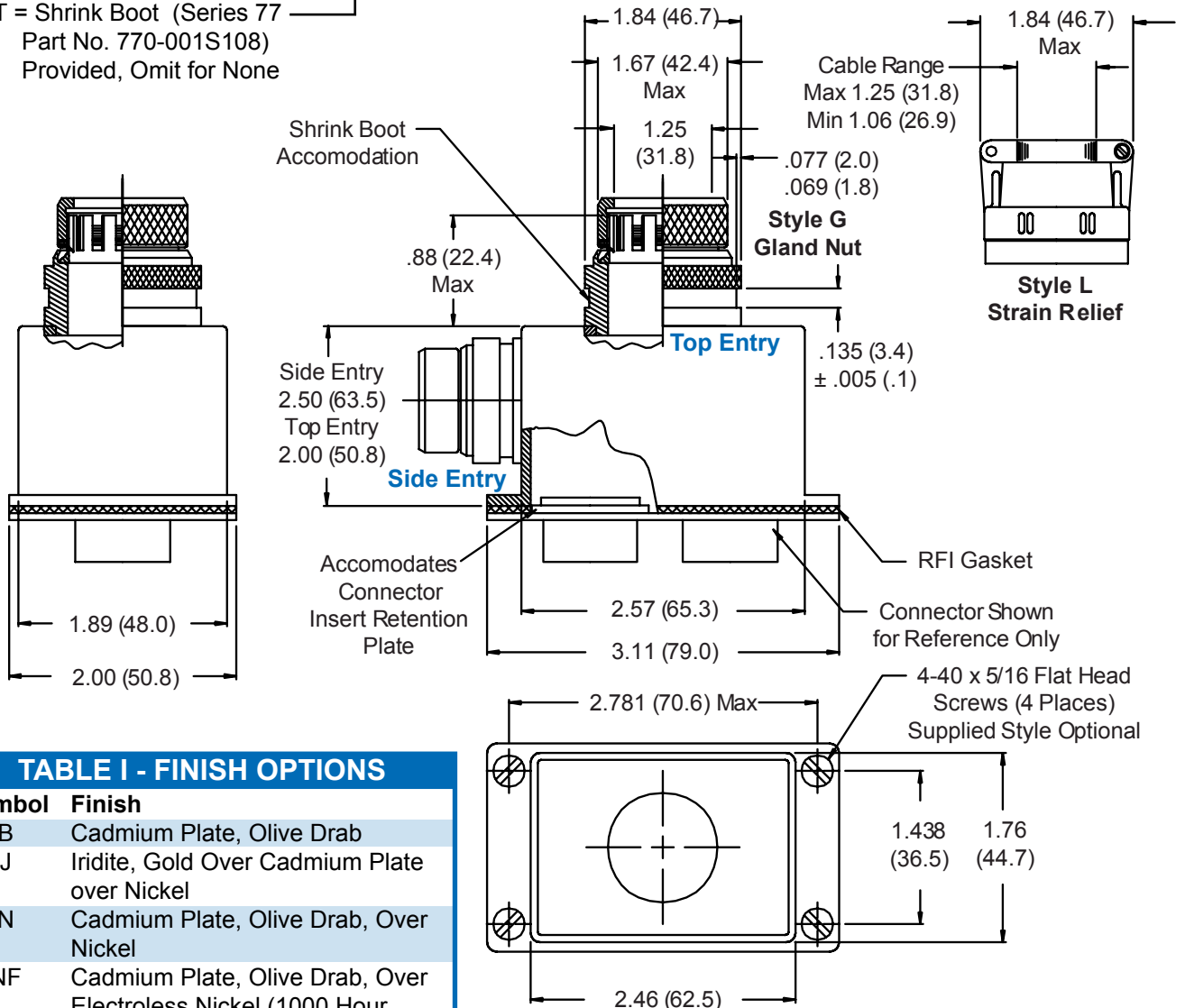


TABLE I - FINISH OPTIONS

Symbol	Finish
B	Cadmium Plate, Olive Drab
J	Iridite, Gold Over Cadmium Plate over Nickel
N	Cadmium Plate, Olive Drab, Over Nickel
NF	Cadmium Plate, Olive Drab, Over Electroless Nickel (1000 Hour Salt Spray)
T	Cadmium Plate, Bright Dip Over Nickel (500 Hour Salt Spray)

**CONSULT FACTORY FOR
 OTHER AVAILABLE FINISHES**