

527-184
Composite Backshell Assembly,
Quick Disconnect
for Hypertronics LPMY 22 Connectors



527 184 XO
 Product Series _____
 Basic Number _____
 Finish (Table I)

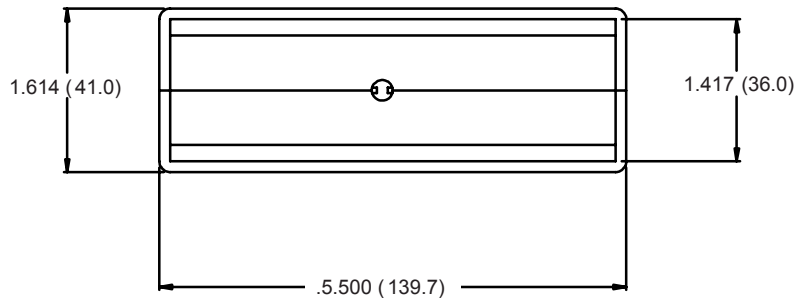
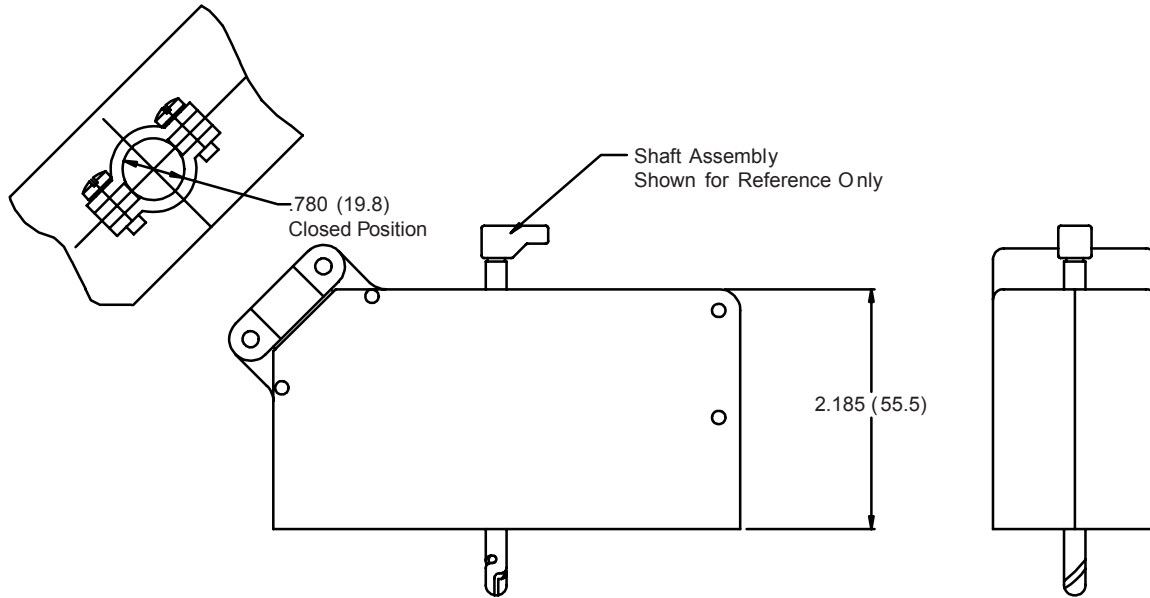


TABLE I: FINISH OPTIONS	
XM*	Electroless Nickel
XW*	Cadmium Olive Drab Over Electroless Nickel
XB	No Plating - Black Material
XO	No Plating - Base Material Non-conductive
* Note: Coupling nut supplied unplated.	

Metric dimensions (mm) are indicated in parentheses.