

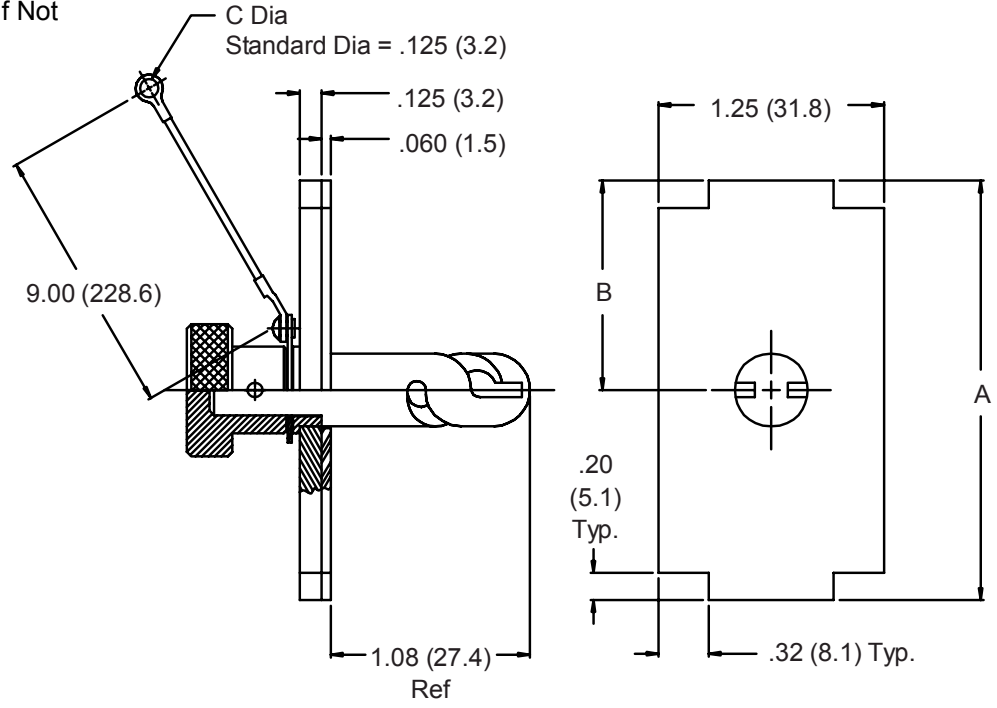
# 667-085 Protective Cover for Hypertronics NEBY Connectors



**667-085-19 C-09 -186**

Basic Part No. ————  
 Shell Size (Table I) ————  
 Finish (Table III) ————  
 Ring Dash No. (Table II),  
 Omit for Standard  
 Post Bake Gasket For Space  
 Application, Omit if Not  
 Required

1. Metric dimensions (mm) are indicated in parentheses.
2. Material/Finish:  
 Cover and Knob = Al Alloy/Table III  
 Hardware = SST/Passivate  
 Rope Covering = Fluoropolymer/N.A.  
 Gasket = Silicone/N.A.



| Dash No. | C Dia      |
|----------|------------|
| 01       | .140 (3.6) |
| 02       | .182 (4.6) |
| 03       | .191 (4.9) |
| 04       | .197 (5.0) |
| 05       | .167 (4.2) |
| 07       | .218 (5.5) |
| 09       | .156 (4.0) |

| Shell Size | Mating Connector | A            | B           |
|------------|------------------|--------------|-------------|
| 11         | NEBY11/          | 1.60 (40.6)  | .80 (20.3)  |
| 15         | NEBY15/          | 2.00 (50.8)  | 1.00 (25.4) |
| 19         | NEBY19/          | 2.40 (61.0)  | 2.00 (50.8) |
| 23         | NEBY23/          | 2.80 (71.1)  | 1.40 (35.6) |
| 27         | NEBY27/          | 3.20 (81.3)  | 1.60 (40.6) |
| 31         | NEBY31/          | 3.60 (91.4)  | 1.80 (45.7) |
| 35         | NEBY35/          | 4.00 (101.6) | 2.00 (50.8) |
| 45         | NEBY45/          | 5.00 (127.0) | 2.50 (63.5) |

| Symbol | Finish  |
|--------|---|
| B      | Cadmium Plate, Olive Drab   |
| C      | Black Anodize   |
| J      | Iridite, Gold Over Cadmium Plate over Nickel                              |
| M      | Electroless Nickel  |
| N      | Cadmium Plate, Olive Drab, Over Nickel                                    |
| NF     | Cadmium Plate, Olive Drab, Over Electroless Nickel (1000 Hour Salt Spray) |
| T      | Cadmium Plate, Bright Dip Over Nickel (500 Hour Salt Spray)               |

**CONSULT FACTORY FOR  
OTHER AVAILABLE FINISHES**