



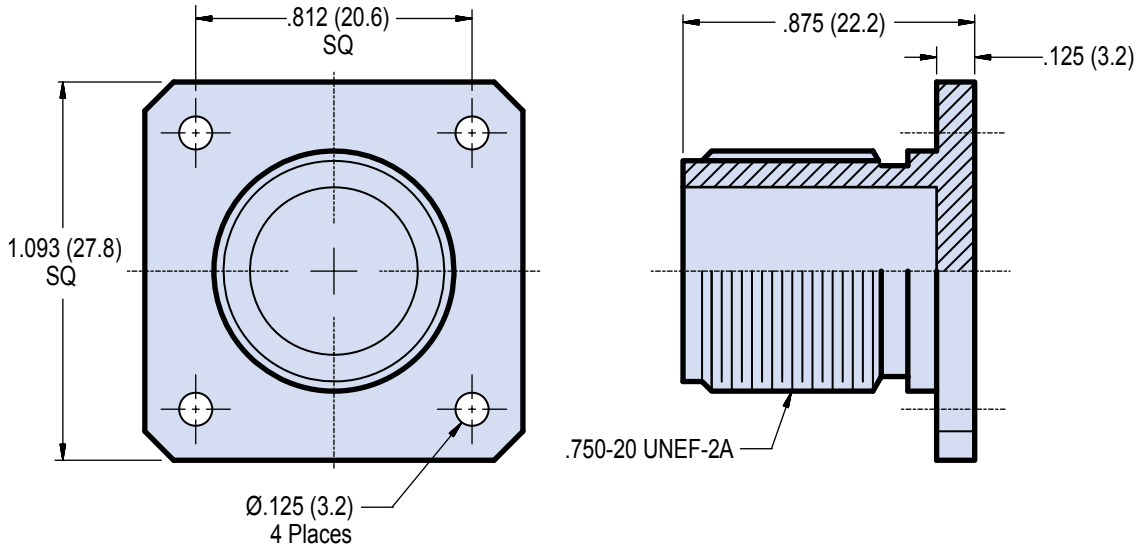
650-072 Dummy Stowage Receptacle for RF Coax Type HN Connectors

Basic Number
650-072 = Type HN

Finish
(See Table II)

650-072

NF



| Table II: Materials and Finishes | | |
|----------------------------------|---------------------------|-----------------------------|
| Code | Material | Finish |
| M | Aluminum Alloy 6061-T6 | Electroless Nickel |
| MT | | Nickel Fluoropolymer |
| NF | | Cadmium, Olive Drab |
| ZR | | Zinc-Nickel, Black |
| Z1 | 303 Stainless Steel | Passivate |
| BM | Brass | Brass - Electroless Nickel |
| WB | | White Bronze (Non-Magnetic) |

| APPLICATION NOTES |
|--|
| 1. Assembly identified with manufacturer's name and part number, space permitting. |
| 2. Material/Finish - See Table II |
| 3. Metric dimensions (mm) are in parentheses. |