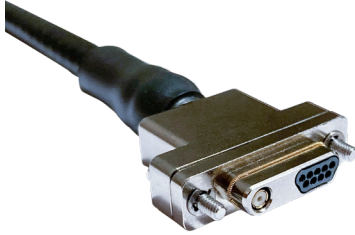


Coax and combo coax jumper assemblies Plug-to-plug • plug-to-receptacle • receptacle-to-receptacle

GMMD COAX AND COMBO COAX CONNECTORS



Back-to-back Coax cable assemblies provide a turnkey solution for easy on-site installation. Assemblies are supplied with GMMD plug or receptacle on each end in a choice of any coax or combo contact arrangement. Environmental seal options are available for plug connectors. 50Ω and 75Ω Coax cable may be ordered in flexible or semi-rigid configurations, standard M22759/33 signal cable in 24 – 30 AWG. EMI shielded with five optional braid materials, including Glenair Signature weight-saving composite microfilament AmberStrand or microfilament stainless steel ArmorLite. Outer jacket options available for environmental and abrasion protection. Integral backshells, hardware, and wire exit direction all fully customizable.

HOW TO ORDER	
Sample Part Number	GMMD -FPE 2C15 -C M A N R L 5 -FPE T S 3 2 -800 -2
Series	GMMD = Glenair Modular High-Speed Micro-D
Connector 1 Type	FP = Plug FPE = Plug Environmental FR = Receptacle FRP = Rear Panel Mount Receptacle
Contact Arrangement	2C9 = 2 X 50Ω Coax + 9 X #24 discrettes 4V15 = 4 X 75Ω Coax + 15 X #24 discrettes 8C = 8 X 50Ω Coax
Coax Cable	-C = 50Ω RG178 -V = 75Ω RG179 -D = 50Ω 047 Semi-Rigid -W = 75Ω Semi-Rigid -E = 50Ω 047 Flexible
Signal Cables*	L = 24AWG M22759/33 wire N = 28AWG M22759/33 wire M = 26AWG M22759/33 wire O = 30AWG M22759/33 wire
Shield Options	A = SnCu braid (100-001A) B = 100% AmberStrand (103-026) C = 100% ArmorLite (103-051) E = AgCu braid (100-002A) F = NiCu braid (100-003A) N = no braid
Jacket Options	D = Thin-Wall Heatshrink (VG 95343 part 5 type D) G = Monofilament PEEK braid (102-051) H = Nomex® Braid (103-013) J = LSZH Heatshrink (-30°C to +105°C; VG 95343 part 5 type L) N = No Jacket
Backshell 1 Type	T = Straight Backshell R = 90° Backshell F = 45° Backshell O = no backshell
Wire Exit Direction	L = in direction of long row of D-form S = in direction of short row of D-form (for straight or no backshell, L is the default)
Hardware Options 1	See Hardware Options Table
Connector 2 Type	FP = Plug FPE = Plug Environmental FR = Receptacle FRP = Rear Panel Mount Receptacle
Backshell 2 Type*	T = Straight Backshell R = 90° Backshell F = 45° Backshell O = no backshell
Wire Exit Direction*	L = in direction of long row of D-form S = in direction of short row of D-form
Hardware Options 2*	See Hardware Options Table
Shell Material / Finish	-2 = Aluminum / Electroless Nickel -3 = Stainless Steel / Passivated -5 = Aluminum / Gold -6 = Aluminum/Alchromate -7 = Aluminum / Nickel-PTFE -8 = Aluminum / Zinc-Nickel, Black
Overall Length	mm (metric)
Gasket Material for FPE and FRP*	-1 = Fluorosilicone -2 = Passivated silver-plated aluminum-filled fluorosilicone -3 = Nickel-plated aluminum-filled fluorosilicone

* - Omit if not used



Coax and combo coax single-ended flying lead pigtail assemblies Shielded and unshielded - plug or receptacle

Flying lead Coax cable assemblies provide a flexible solution for easy on-site installation. Assemblies are supplied with GMMD plug or receptacle on one end in a choice of any Coax or combo contact arrangement. Environmental seal options are available for plug connectors. 50Ω and 75Ω Coax cable may be ordered in flexible or semi-rigid configurations. Signal cable available in 24 – 30 AWG. EMI shielded with five optional braid materials, including Glenair Signature weight-saving composite microfilament AmberStrand or microfilament stainless steel ArmorLite. Outer jacket options available for environmental and abrasion protection. Integral backshell, hardware, and wire exit direction all fully customizable. Consult factory for space-flight specific applications.

GMMD COAX AND COMBO COAX CONNECTORS

HOW TO ORDER	
Sample Part Number	GMMD -FPE 2C9 -A M A N R L 5 0 2 -800
Series	GMMD = Glenair Modular High-Speed Micro-D
Connector 1 Type	FP = Plug FPE = Plug Environmental FR = Flying Lead Receptacle FRP = Rear Panel Mount Flying Lead Receptacle
Contact Arrangement	See Table. Consult factory for additional arrangements.
Coax Cable	-C = 50Ω RG178 -V = 75Ω RG179 -D = 50Ω 047 Semi-Rigid -W = 75Ω Semi-Rigid -E = 50Ω 047 Flexible
Signal Cables*	L = 24AWG M22759/33 wire N = 28AWG M22759/33 wire M = 26AWG M22759/33 wire O = 30AWG M22759/33 wire
Shield Options	A = SnCu braid (100-001A) B = 100% AmberStrand (103-026) C = 100% ArmorLite (103-051) E = AgCu braid (100-002A) F = NiCu braid (100-003A) N = no braid
Jacket Options	D = Thin-Wall Heatshrink (VG 95343 part 5 type D) G = Monofilament PEEK braid (102-051) H = Nomex® Braid (103-013) J = LSZH Heatshrink (-30°C to +105°C; VG 95343 part 5 type L) N = No Jacket
Backshell Type	T = Straight Backshell R = 90° Backshell F = 45° Backshell 0 = no backshell
Wire Exit Direction	L = in direction of long row of D-form S = in direction of short row of D-form (for straight or no backshell, L is the default)
Hardware Options	See Hardware Options Table
[no second connector]	0
Shell Material / Finish	-2 = Aluminum / Electroless Nickel -3 = Stainless Steel / Passivated -5 = Aluminum / Gold -6 = Aluminum/Alchromate -7 = Aluminum / Nickel-PTFE -8 = Aluminum / Zinc-Nickel, Black
Overall Length	mm (metric)
Gasket Material for FPE and FRP*	-1 = Fluorosilicone -2 = Passivated silver-plated aluminum-filled fluorosilicone -3 = Nickel-plated aluminum-filled fluorosilicone

* - Omit if not used

Coax and combo coax jumpers and pigtails Selection guide - plug backshell options - hardware

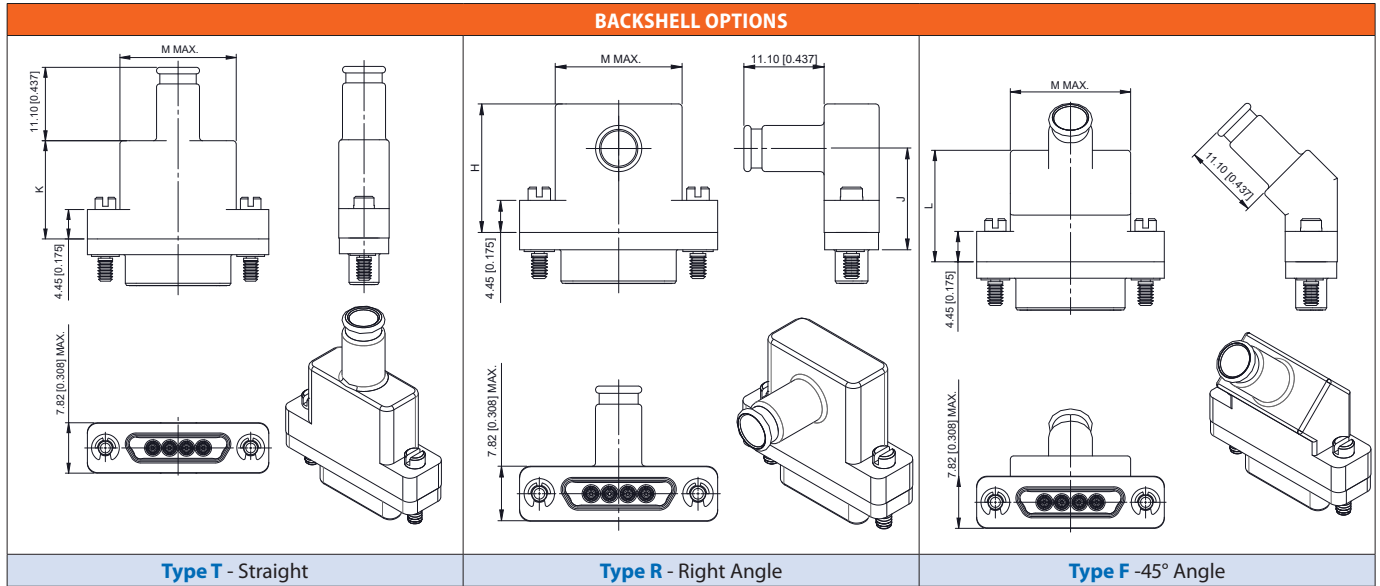
GMMD COAX AND COMBO COAX CONNECTORS

COAX AND COMBO COAX CABLE ASSEMBLY CONNECTOR SELECTION GUIDE			
GMMD-FP Cable Plug	GMMD-FPE Cable Plug, Environmental	GMMD-FR Cable Receptacle	GMMD-FRP Rear Panel Mount Cable Receptacle

PLUG BACKSHELL OPTIONS		
GMMD-***-T Top Entry	GMMD-***-F 45° Entry	GMMD-***-R 90° Side Entry

HARDWARE OPTIONS (BACKSHELLS SHOWN FOR REFERENCE ONLY)			
1 - Circlip-Retained Jackscrew	Rear Panel Mount Jackpost Nut (specify letter for panel thickness) T=2.4 U=2.0 V=1.6 W=1.2 X=0.8 Y=0.6	3 - Clip-Retained Fillister Head Jackscrew	
4 - Clip-Retained Socket Head Jackscrew	5 - Clip-Retained Extended Jackscrew	6 - Hexagonal Jackpost, Nut and Spring Washer	7 - Circlip-retained socket head jackscrew

Coax and combo coax jumpers and pigtails Backshell dimensional details

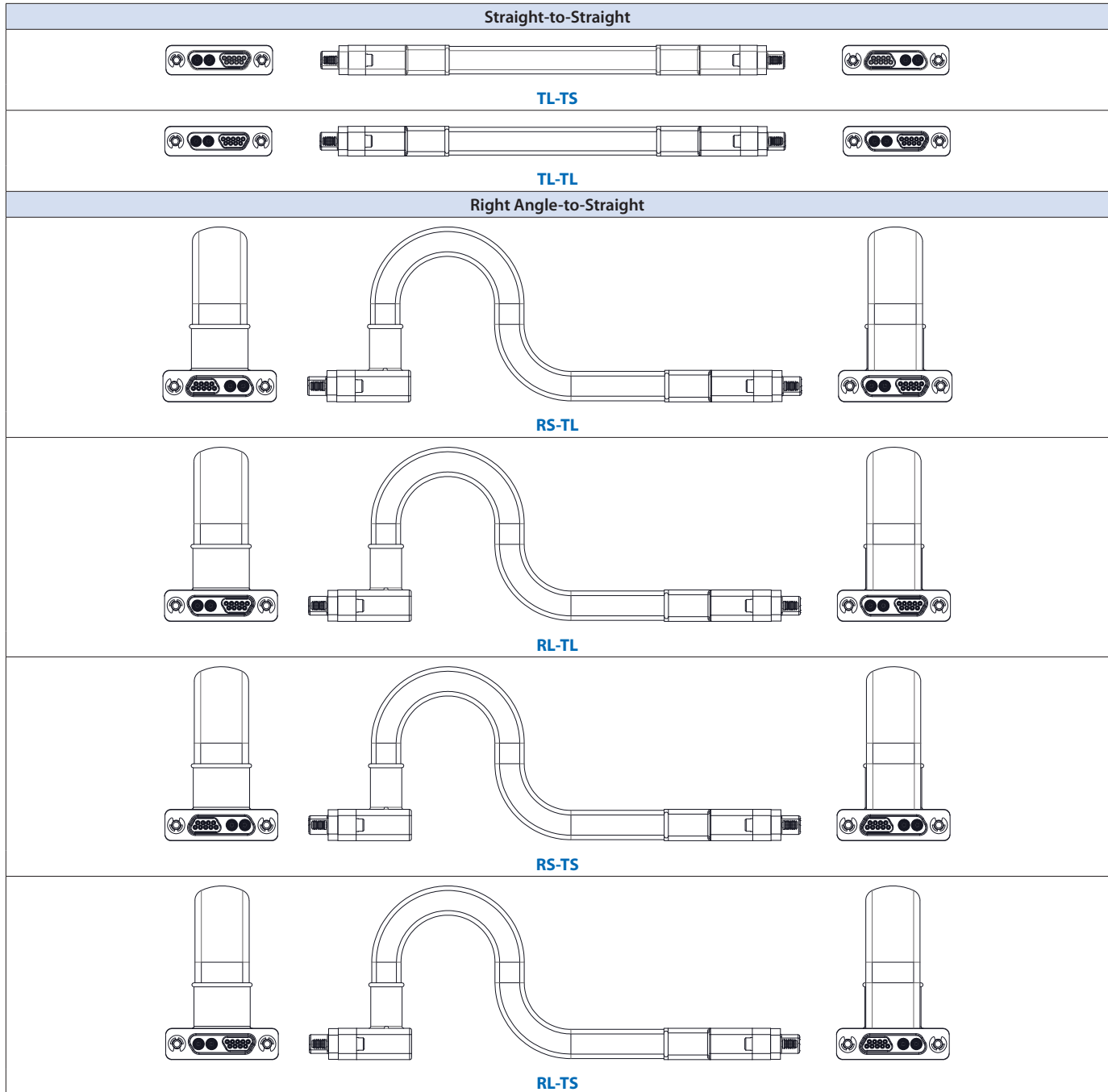


PLUG AND BACKSHELL DIMENSIONS					
Shell size	H (mm)	J (mm)	K (mm)	L (mm)	M (mm)
9	16.20	11.10	8.90	15.01	10.16
15	17.10	11.20	11.95	16.01	13.97
21	18.00	11.70	15.00	16.76	17.78
25	19.00	12.30	16.50	16.81	20.32
31	19.20	12.10	18.00	16.84	27.94
37	19.70	12.10	19.00	17.24	36.83
51-2	21.80	13.90	19.80	17.24	47.18
67	21.80	13.90	19.80	18.86	57.34

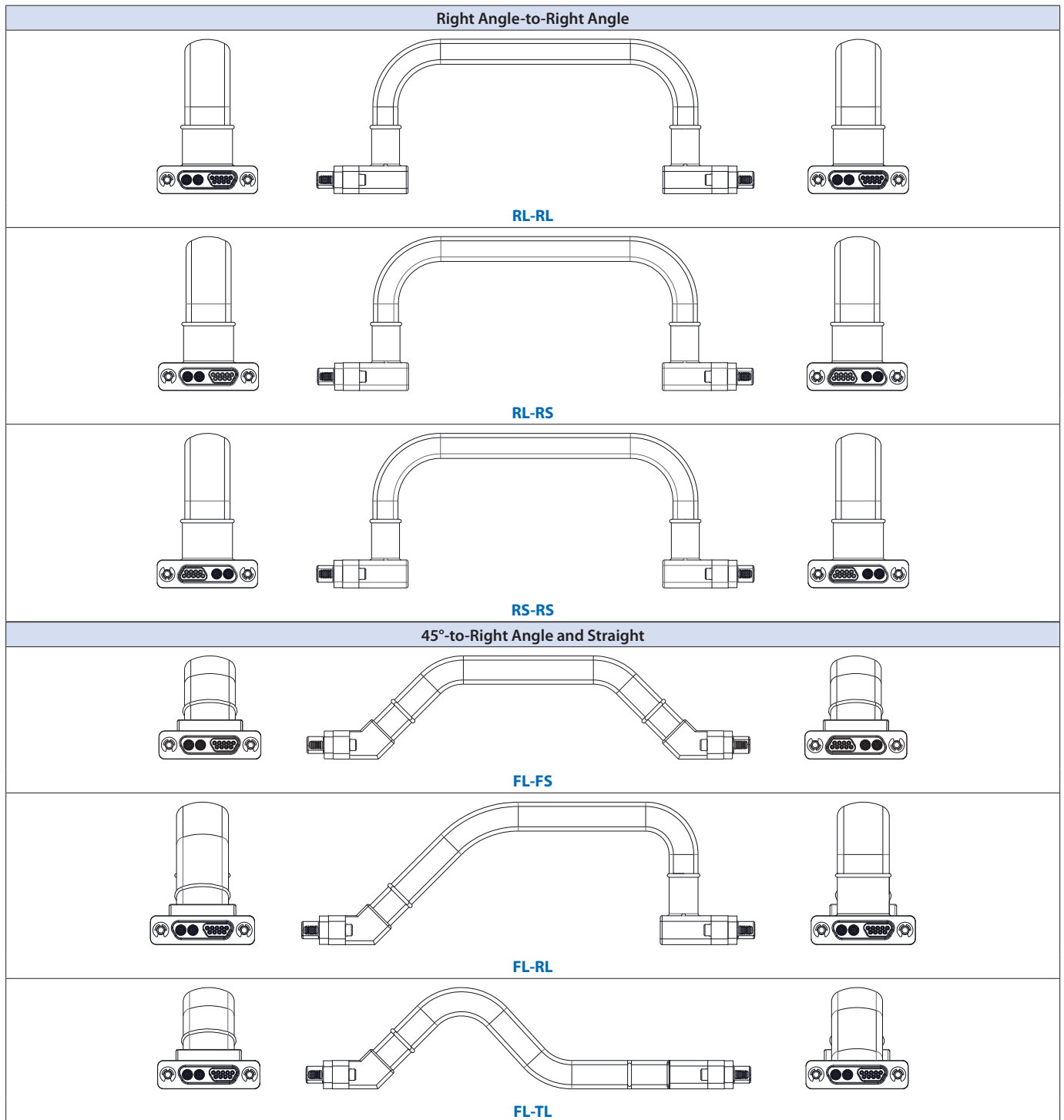
GMMD COAX AND COMBO COAX CONNECTORS

Coax and combo coax jumpers and pigtails Cable configurations

GMMD COAX AND COMBO COAX CONNECTORS



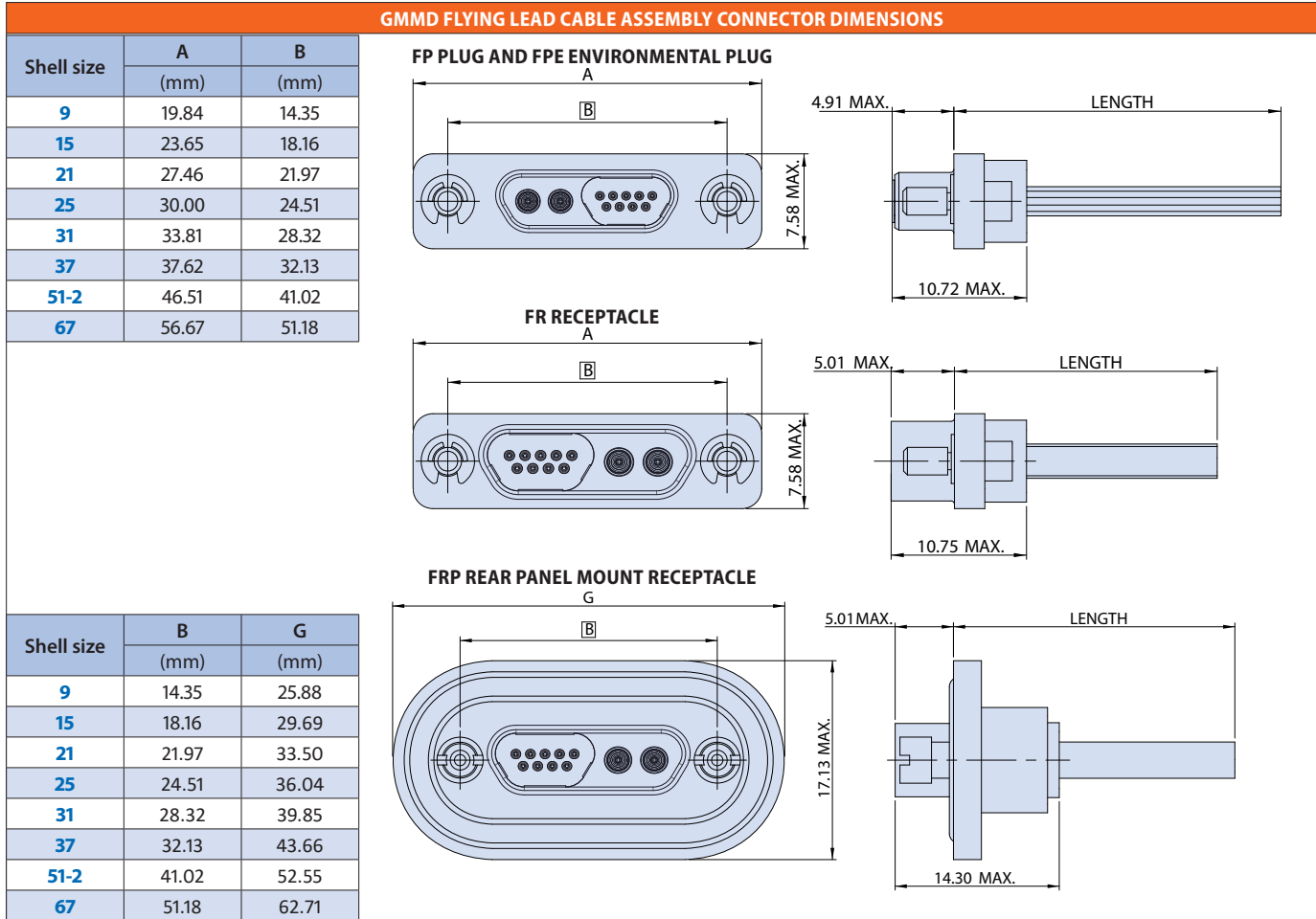
Coax and combo coax jumpers and pigtails Cable configurations



GMMD COAX AND COMBO COAX CONNECTORS

Coax and combo coax jumpers and pigtails Plug-to-plug • plug-to-receptacle • receptacle-to-receptacle

GMMD COAX AND COMBO COAX CONNECTORS



GMMD COAX AND COMBO COAX CONTACT ARRANGEMENTS (additional arrangements are available, consult factory)				
Contact Arrangement	2C	4C	6C	
Shell Size	9	21	25	
No. / type of contacts	2 X 50Ω Coax		4X 50Ω Coax	
Contact Arrangement	8C		16C	
Shell Size	31		67	
No. / type of contacts	8 X 50Ω Coax		16X 50Ω Coax	
Contact Arrangement	1C9	2C9	1V9	2V9
Shell Size	15	21	21	31
No. / type of contacts	1 X 50Ω Coax 9 X #24	2X 50Ω Coax, 9 X #24	1 X 75Ω Coax, 9 X #24	2 X 75Ω Coax, 9 X #24
			4V	
			4 X 75Ω Coax	

GMMD Plug-to-Coax contact jumper assembly for inside-the-box coax contact connectivity

GMMD Plug-to-Coax contact jumpers provide a turnkey solution for inside-the-box coax contact connectivity. Sixteen contact arrangements in eight shell sizes are offered for Size #8 BMB, Size #12 SMPM, or Size #16 SMPS Coax contacts, with three cable type options.

HOW TO ORDER	
Sample Part Number	GMMD -FPCC 2C -E -SMPM -S -2 -150
Series	GMMD = Glenair Modular High-Speed Micro-D
GMMD Connector	-FPCC = Plug
Contact Arrangement	See Table.
Coax Cable Type (see Compatibility table)	-D = 962-014-047 Semi-Rigid 50Ω Coax -E = 047 Flexible 50Ω Coax
Coax Contact Type (see Compatibility table)	-BMB = #8 Pin -SMPM = #12 Pin -SMPS = #16 Pin
Coax Contact Orientation	S = Straight
Shell Material / Finish	2 = Aluminum / Electroless Nickel
Flying Lead Length	mm (metric), e.g. -150 = 150mm (see length tolerance table)

FLYING LEAD LENGTH TOLERANCE PER IPC 620	
<0.3m [<1.0 ft]	+25mm -0mm [+0.98" -0"]
>0.3m - 1.5m [>1.0 ft - 4.9 ft]	+50mm -0mm [+1.96" -0"]
>1.5m - 3.0m [>4.9 ft - 9.8 ft]	+100mm -0mm [+3.94" -0"]
>3.0m - 7.5m [>9.8 ft - 24.6 ft]	+150mm -0mm [+5.91" -0"]
>7.5m [24.6ft]	+5% - 0%

Coax Contact Type	COAX CABLE / CONTACT COMPATIBILITY		
	Coax Cable Type		
	-D = 962-014-047 Semi-Rigid 50Ω Coax	-E = 047 Flexible 50Ω Coax	-F = 962-010-405 Flexible 50Ω Coax
-BMB #8 Pin	852-071-06	852-071-06	852-071-05
-SMPM #12 Pin	852-099-03	852-099-03	852-099-01
-SMPS #16 Pin	852-133-01	852-133-01	N/A

CONTACT ARRANGEMENTS / DIMENSIONS

GMMD CONNECTOR
Example: GMMD-FP2C

Example Assembly Shown: GMMD-FPCC2C-E-SMPM-S-2-L

COAX CONTACTS
Example: 2X SMPM

COAX COUNT	SHELL SIZE	A MAX.	B
1C,2C	9	19.89 [0.782]	14.35 [0.565]
3C	15	23.70 [0.932]	18.16 [0.715]
4C,5C	21	27.51 [1.082]	21.97 [0.865]
6C	25	30.05 [1.182]	24.51 [0.965]
7C	31	33.86 [1.332]	28.32 [1.115]
8C,9C	37	37.67 [1.482]	32.13 [1.265]
10C,11C,12C	51-2	46.56 [1.832]	41.02 [1.615]
13C,14C,15C,16C	67	56.72 [2.232]	46.48 [1.830]

GMMD COAX AND COMBO COAX CONNECTORS