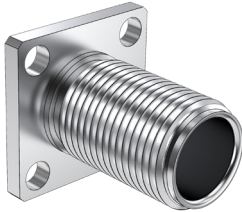


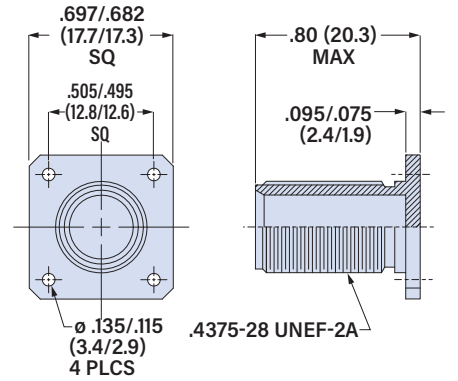
**650-075**  
**650-076**

**650-075 DUMMY RECEPTACLE FOR TNC COAX RF PLUGS**

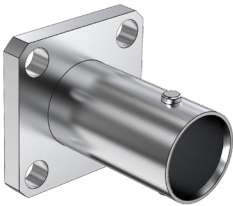


Use dummy stowage receptacle to secure and protect unused plugs. 650-075 receptacle accommodates M39012 Series TNC RF connectors. Aluminum, stainless steel or brass.

PART NUMBER	
Aluminum 6061-T6	Electroless Nickel <b>650-075M</b>
	Black Zinc-Nickel <b>650-075ZR</b>
	Nickel-PTFE <b>650-075MT</b>
	O. D. Cadmium <b>650-075NF</b>
303 SST	Passivate <b>650-075Z1</b>
	Electroless Nickel <b>650-075ZM</b>
Brass	Electroless Nickel <b>650-075BM</b>
	White Bronze <b>650-075WB</b>



**650-076 DUMMY RECEPTACLE FOR BNC COAX RF PLUGS**



Use dummy stowage receptacle to secure and protect unused plugs. 650-076 receptacle accommodates M39012 Series BNC RF connectors. Aluminum, stainless steel or brass.

PART NUMBER	
Aluminum 6061-T6	Electroless Nickel <b>650-076M</b>
	Black Zinc-Nickel <b>650-076ZR</b>
	Nickel-PTFE <b>650-076MT</b>
	O. D. Cadmium <b>650-076NF</b>
303 SST	Passivate <b>650-076Z1</b>
	Electroless Nickel <b>650-076ZM</b>
Brass	Electroless Nickel <b>650-076BM</b>
	White Bronze <b>650-076WB</b>

