

SMA-SMA Adapters

GRF05-0023 SMA MALE TO SMA FEMALE ADAPTER

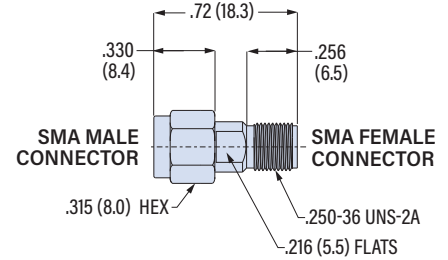


SMA Male / SMA Female. GRF05-0023 connector saver adapter protects equipment from wear and tear. Stainless steel body and coupling nut, gold-plated BeCu contact, PTFE insulator, stainless steel lock ring and silicone gasket.

- Frequency range: DC - 18 GHz
- VSWR: 1.15 maximum
- Impedance: 50 ohm

PART NUMBER

GRF05-0023



GRF05-0024 SMA FEMALE TO SMA FEMALE ADAPTER

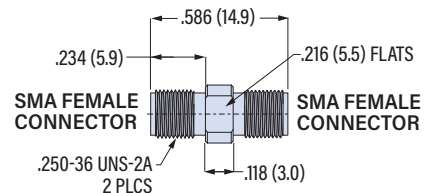


SMA Female / SMA Female. GRF05-0024 gender changer adapter connects two SMA plugs. Stainless steel body, gold-plated BeCu contact, PTFE insulator.

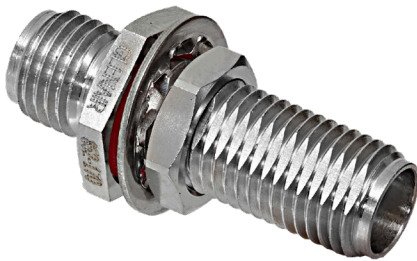
- Frequency range: DC - 18 GHz
- VSWR: 1.15 maximum
- Impedance: 50 ohm

PART NUMBER

GRF05-0024



GRF05-0025 SMA FEMALE TO SMA FEMALE ADAPTER, PANEL MOUNT

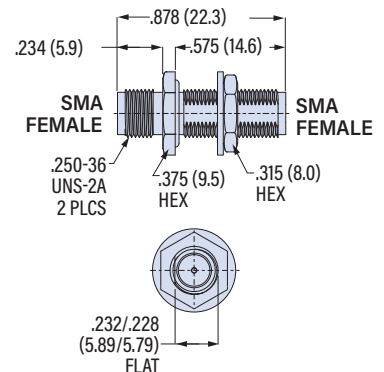


SMA Female / SMA Female. Jam nut panel mount. GRF05-0025 adapter connects two SMA plugs. Stainless steel body, hex nut and lock washer. Gold-plated BeCu contact, PTFE insulator, silicone O-ring.

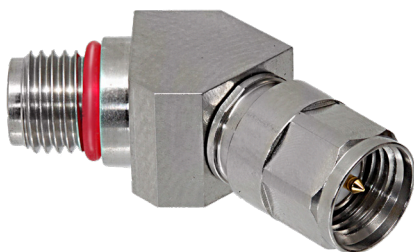
- Frequency range: DC - 18 GHz
- VSWR: 1.15 maximum
- Impedance: 50 ohm

PART NUMBER

GRF05-0025



GRF05-0032 SMA MALE TO SMA FEMALE, 45° ANGLE

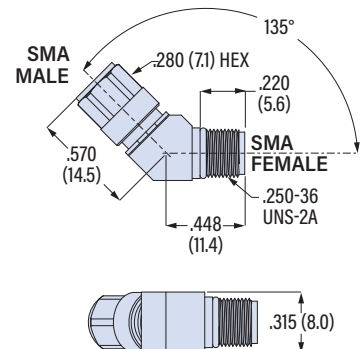


SMA Male / SMA Female. 45°. GRF05-0032 adapter has low profile coupling nut for increased clearance. Gold-plated BeCu contact. Passivated stainless steel body and coupling nut, PTFE insulator, silicone O-ring and gasket, BeCu lock ring.

- Operating temperature: -45 °C to +125 °C
- Frequency range: DC - 18 GHz
- VSWR: 1.30 maximum
- Impedance: 50 ohm

PART NUMBER

GRF05-0032



SMA-SMA Adapters

RF CONNECTOR ADAPTERS

GRF05-0031 SMA MALE TO SMA FEMALE ADAPTER, RIGHT ANGLE



SMA Male / SMA Female. GRF05-0031 90° adapter connects female SMA to male SMA. Available in six lengths. Stainless steel body and coupling nut. Gold-plated BeCu contact, PTFE insulator, BeCu lock ring. Silicone gasket and O-ring.

- Operating temperature: -45 °C to +125 °C
- Frequency range: DC - 18 GHz
- VSWR: 1.30 maximum
- Impedance: 50 ohm

PART NUMBER

| Part Number | Fig. | A | | B | |
|---------------|--------|-------|------|-------|------|
| | | In. | mm. | In. | mm. |
| GRF05-0031-01 | Fig. 1 | .626 | 15.9 | .470 | 11.9 |
| GRF05-0031-02 | Fig. 2 | .770 | 19.6 | .614 | 15.6 |
| GRF05-0031-03 | Fig. 2 | .990 | 25.1 | .835 | 21.2 |
| GRF05-0031-04 | Fig. 2 | 1.210 | 30.7 | 1.055 | 26.8 |
| GRF05-0031-05 | Fig. 2 | 1.330 | 33.8 | 1.175 | 29.8 |
| GRF05-0031-06 | Fig. 2 | 1.670 | 42.4 | 1.514 | 38.5 |

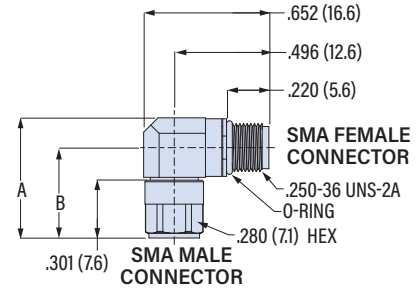


Figure 1
GRF05-0031-01

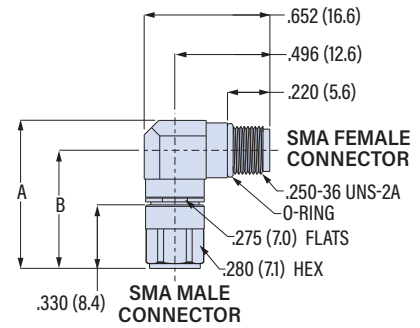


Figure 2
GRF05-0031-02 thru -06

