

## SMA-SMA Adapters

### 852-168 SMA MALE TO SMA FEMALE ADAPTER

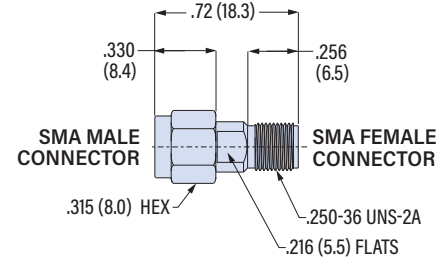


**SMA Male / SMA Female.** 852-168 connector saver adapter protects equipment from wear and tear. Stainless steel body and coupling nut, gold-plated BeCu contact, PTFE insulator, stainless steel lock ring and silicone gasket.

- Frequency range: DC - 18 GHz
- VSWR: 1.15 maximum
- Impedance: 50 ohm

#### PART NUMBER

852-168



### 852-169 SMA FEMALE TO SMA FEMALE ADAPTER

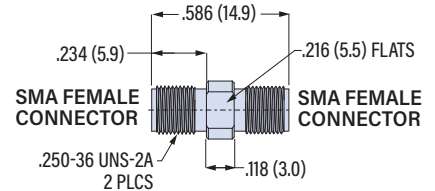


**SMA Female / SMA Female.** 852-169 gender changer adapter connects two SMA plugs. Stainless steel body, gold-plated BeCu contact, PTFE insulator.

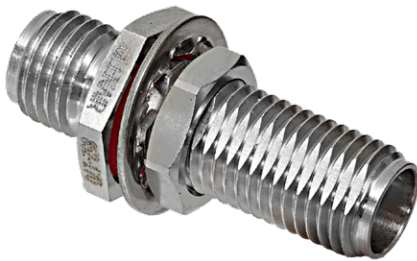
- Frequency range: DC - 18 GHz
- VSWR: 1.15 maximum
- Impedance: 50 ohm

#### PART NUMBER

852-169



### 852-170 SMA FEMALE TO SMA FEMALE ADAPTER, PANEL MOUNT

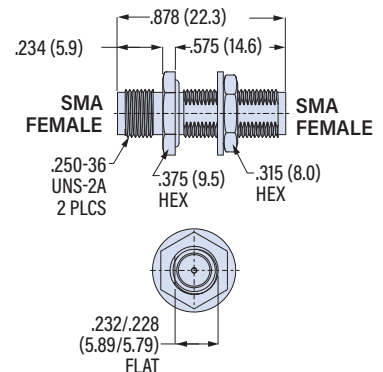


**SMA Female / SMA Female. Jam nut panel mount.** 852-170 adapter connects two SMA plugs. Stainless steel body, hex nut and lockwasher. Gold-plated BeCu contact, PTFE insulator, silicone O-ring.

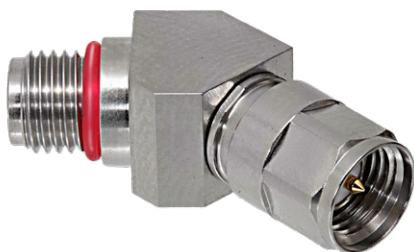
- Frequency range: DC - 18 GHz
- VSWR: 1.15 maximum
- Impedance: 50 ohm

#### PART NUMBER

852-170



### 852-183 SMA MALE TO SMA FEMALE, 45° ANGLE

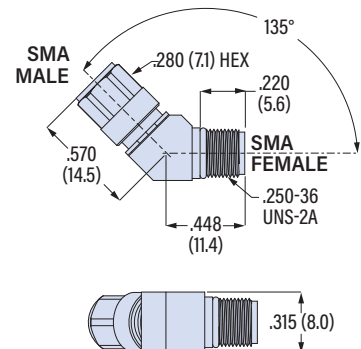


**SMA Male / SMA Female. 45°.** 852-183 adapter has low profile coupling nut for increased clearance. Gold-plated BeCu contact. Passivated stainless steel body and coupling nut, PTFE insulator, silicone O-ring and gasket, BeCu lock ring.

- Operating temperature: -45 °C to +125 °C
- Frequency range: DC - 18 GHz
- VSWR: 1.30 maximum
- Impedance: 50 ohm

#### PART NUMBER

852-183



## SMA-SMA Adapters

RF CONNECTOR ADAPTERS

### 852-182 SMA MALE TO SMA FEMALE ADAPTER, RIGHT ANGLE

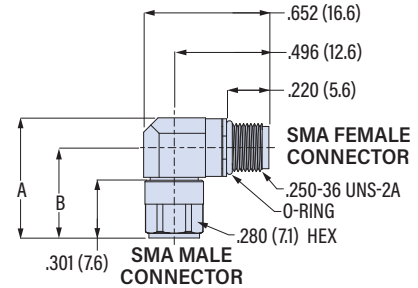


**SMA Male / SMA Female.** 852-182 90° adapter connects female SMA to male SMA. Available in six lengths. Stainless steel body and coupling nut. Gold-plated BeCu contact, PTFE insulator, BeCu lock ring. Silicone gasket and O-ring.

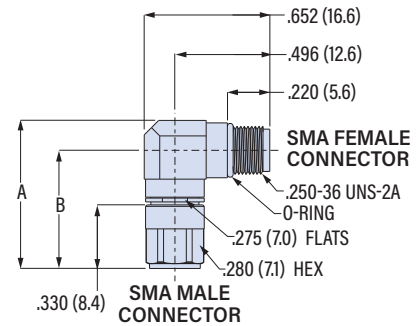
- Operating temperature: -45 °C to +125 °C
- Frequency range: DC - 18 GHz
- VSWR: 1.30 maximum
- Impedance: 50 ohm

#### PART NUMBER

Part Number	Fig.	A		B	
		In.	mm.	In.	mm.
<a href="#">852-182-01</a>	Fig. 1	.626	15.9	.470	11.9
<a href="#">852-182-02</a>	Fig. 2	.770	19.6	.614	15.6
<a href="#">852-182-03</a>	Fig. 2	.990	25.1	.835	21.2
<a href="#">852-182-04</a>	Fig. 2	1.210	30.7	1.055	26.8
<a href="#">852-182-05</a>	Fig. 2	1.330	33.8	1.175	29.8
<a href="#">852-182-06</a>	Fig. 2	1.670	42.4	1.514	38.5



**Figure 1**  
852-182-01



**Figure 2**  
852-182-02 thru -06

