

## TNC-SMA Adapters

### 852-160 TNC MALE TO SMA FEMALE ADAPTER

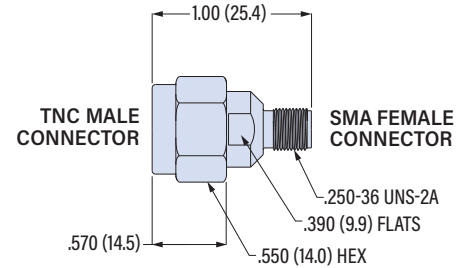


**TNC Male / SMA Female.** Connect TNC jack to SMA plug with 852-160 adapter. Stainless steel body with gold-plated BeCu contact, PTFE insulator, nickel-plated phos bronze lock ring, and silicone gasket.

- Operating temperature: -45 °C to +125 °C
- Frequency range: DC - 18 GHz
- VSWR: 1.20 maximum
- Impedance: 50 ohm

#### PART NUMBER

852-160



### 852-161 TNC FEMALE TO SMA FEMALE ADAPTER

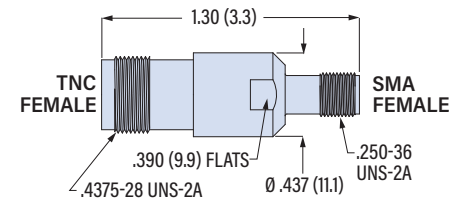


**TNC Female / SMA Female.** Connect TNC plug to SMA plug with 852-161 adapter. Stainless steel body, gold-plated BeCu contact, PTFE insulator.

- Operating temperature: -45 °C to +125 °C
- Frequency range: DC - 18 GHz
- VSWR: 1.20 maximum
- Impedance: 50 ohm

#### PART NUMBER

852-161



### 852-162 TNC FEMALE TO SMA FEMALE ADAPTER, SQUARE FLANGE

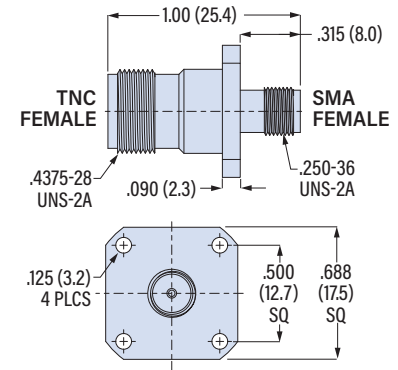


**TNC Female / SMA Female. 4 Hole Flange.** Connect TNC plug to SMA plug with 852-162 adapter. Stainless steel body, gold-plated BeCu contact, PTFE insulator.

- Operating temperature: -45 °C to +125 °C
- Frequency range: DC - 18 GHz
- VSWR: 1.20 maximum
- Impedance: 50 ohm

#### PART NUMBER

852-162



### 852-163 TNC FEMALE TO SMA FEMALE ADAPTER, JAM NUT

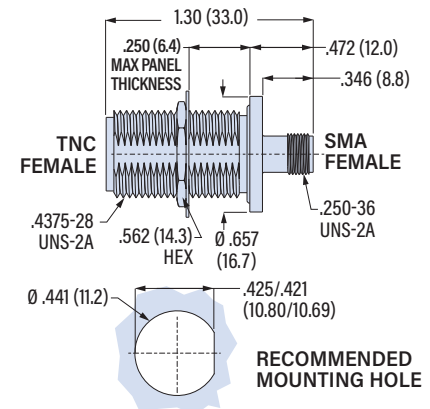


**TNC Female / SMA Female. Jam nut panel mounting.** Connect TNC plug to SMA plug with 852-163 adapter. Stainless steel body and hex nut. Gold-plated BeCu contact. Nickel-plated brass lock washer, PTFE insulator, silicone O-ring.

- Operating temperature: -45 °C to +125 °C
- Frequency range: DC - 18 GHz
- VSWR: 1.20 maximum
- Impedance: 50 ohm

#### PART NUMBER

852-163



RECOMMENDED MOUNTING HOLE