

**806-079**

**In-Line Receptacle Connector**



**PART NUMBER**

|                           |                                       |  |            |             |          |          |          |
|---------------------------|---------------------------------------|--|------------|-------------|----------|----------|----------|
|                           |                                       | <b>806-079</b>                             | <b>-ME</b> | <b>11-4</b> | <b>B</b> | <b>M</b> | <b>A</b> |
| <b>Base P/N</b>           | Series 806 RF In-Line Receptacle      |  |            |             |          |          |          |
| <b>Material/ Finish</b>   | <b>NF</b>                             | Alum/ Cad/O.D. over Electroless Nickel     |            |             |          |          |          |
|                           | <b>MT</b>                             | Alum/ Nickel-PTFE                          |            |             |          |          |          |
|                           | <b>ME</b>                             | Alum/ Electroless Nickel                   |            |             |          |          |          |
|                           | <b>ZR</b>                             | Alum/ Black Zinc-Nickel                    |            |             |          |          |          |
|                           | <b>ZL</b>                             | SST/ Nickel Plating                        |            |             |          |          |          |
| <b>Insert Arrangement</b> | (See 806-015 For Contact Arrangement) |  |            |             |          |          |          |
| <b>Contact Type</b>       | <b>A</b>                              | Pin Connector Less Contacts                |            |             |          |          |          |
|                           | <b>B</b>                              | Socket Connector Less Contacts             |            |             |          |          |          |
| <b>Shell Style</b>        | <b>M</b>                              | Metric Accessory Threads                   |            |             |          |          |          |
|                           | <b>B</b>                              | Band (Platform for Attaching Cable Shield) |            |             |          |          |          |
| <b>Polarization</b>       | See Table III                         |  |            |             |          |          |          |

**DIMENSIONS**

| Shell Size | Ø A ± 0.01 | B Thread        | C Mating Thread       | D Max | Ø E   | Ø F   |
|------------|------------|-----------------|-----------------------|-------|-------|-------|
| 8          | 0.545      | M10 X 1-6g-100R | .5000-.067P-2L-TS-2A  | 0.100 | 0.635 | 0.327 |
| 9          | 0.612      | M12 X 1-6g-100R | .5625-.067P-2L-TS-2A  |       | 0.702 | 0.406 |
| 10         | 0.680      | M14 X 1-6g-100R | .6250-.067P-2L-TS-2A  |       | 0.770 | 0.484 |
| 11         | 0.747      | M15 X 1-6g-100R | .6875-.067P-2L-TS-2A  |       | 0.837 | 0.524 |
| 12         | 0.803      | M17 X 1-6g-100R | .7500-.067P-2L-TS-2A  |       | 0.893 | 0.603 |
| 14         | 0.925      | M19 X 1-6g-100R | .8750-.067P-2L-TS-2A  |       | 1.015 | 0.681 |
| 16         | 1.050      | M22 X 1-6g-100R | 1.000-.067P-2L-TS-2A  |       | 1.140 | 0.782 |
| 18         | 1.16       | M25 X 1-6g-100R | 1.1250-.067P-2L-TS-2A | 1.250 | 0.899 |       |
| 20         | 1.310      | M28 X 1-6g-100R | 1.250-.067P-2L-TS-2A  | 0.125 | 1.400 | 1.043 |
| 22         | 1.435      | M31 X 1-6g-100R | 1.3750-.067P-2L-TS-2A |       | 1.525 | 1.155 |
| 24         | 1.560      | M34 X 1-6g-100R | 1.500-.067P-2L-TS-2A  |       | 1.650 | 1.273 |

**POLARIZATION KEY CODE TABLE III**

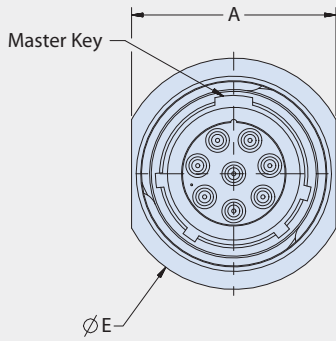
| POS | A   | B   | C   | D   |
|-----|-----|-----|-----|-----|
| A   | 105 | 140 | 215 | 265 |
| B   | 102 | 170 | 248 | 305 |
| C   | 80  | 150 | 230 | 295 |
| D   | 68  | 140 | 205 | 275 |
| E   | 64  | 155 | 234 | 304 |
| F   | 72  | 120 | 200 | 298 |

SERIES 806 MULTI-PIN RF CONNECTORS

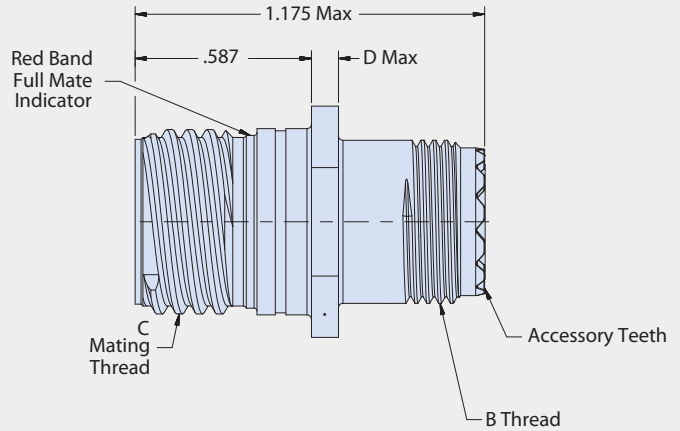
**806-079**  
**In-Line Receptacle Connector**

SERIES 806 MULTI-PIN RF CONNECTORS

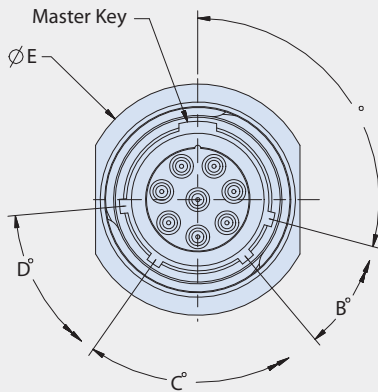
**806-079 METRIC ACCESSORY THREAD**



METRIC ACCESSORY THREAD



**806-079 BAND PLATFORM**



BAND PLATFORM

