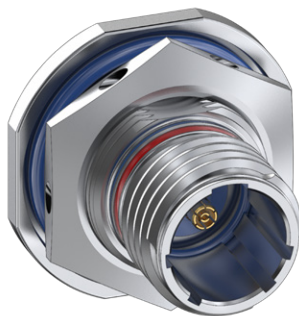


806-080
Jam-Nut Receptacle Connector

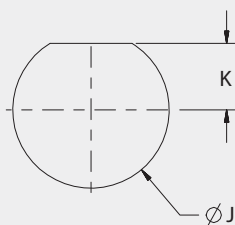


PART NUMBER

		806-080	ME	11-4	B	M	A
Base P/N	Series 806 RF Jam-Nut Receptacle						
Material/ Finish	NF	Alum/ Cad/O.D. over Electroless Nickel					
	MT	Alum/ Nickel-PTFE					
	ME	Alum/ Electroless Nickel					
	ZR	Alum/ Black Zinc-Nickel					
	ZL	SST/ Nickel Plating					
Insert Arrangement	<i>(See 806-015 For Contact Arrangement)</i>						
Contact Type	A	Pin Connector Less Contacts					
	B	Socket Connector Less Contacts					
Shell Style	M	Metric Accessory Threads					
	B	Band (Platform for Attaching Cable Shield)					
Polarization Keyway Code	<i>See Table III</i>						

MOUNT INFO

RECOMMENDED MOUNTING HOLE DIMENSIONS



Size	K +.005 -.00	Ø J +.005 -.00
8	0.256	0.601
9	0.287	0.640
10	0.318	0.719
11	0.350	0.759
12	0.381	0.837
14	0.443	0.955
16	0.505	1.073
18	0.568	1.192
20	0.630	1.349
22	0.693	1.467
24	0.775	1.624

DIMENSIONS

Shell Size	Ø A Max	B Thread	C Max	D Mating Thread	E Max	F Thread	Ø H
8	0.980	M10 X 1-6g-.100R	0.920	.5000-.067P-.2L-TS-2A	0.100	M15 X 1-6g-.100R	0.327
9	1.040	M12 X 1-6g-.100R	0.980	.5625-.067P-.2L-TS-2A		M16 X 1-6g-.100R	0.406
10	1.110	M14 X 1-6g-.100R	1.050	.6250-.067P-.2L-TS-2A		M18 X 1-6g-.100R	0.484
11	1.160	M15 X 1-6g-.100R	1.110	.6875-.067P-.2L-TS-2A		M19 X 1-6g-.100R	0.524
12	1.230	M17 X 1-6g-.100R	1.170	.7500-.067P-.2L-TS-2A		M21 X 1-6g-.100R	0.603
14	1.360	M19 X 1-6g-.100R	1.320	.8750-.067P-.2L-TS-2A		M24 X 1-6g-.100R	0.681
16	1.515	M22 X 1-6g-.100R	1.444	1.000-.067P-.2L-TS-2A		M27 X 1-6g-.100R	0.782
18	1.610	M25 X 1-6g-.100R	1.570	1.1250-.067P-.2L-TS-2A		M30 X 1-6g-.100R	0.899
20	1.850	M28 X 1-6g-.100R	1.760	1.250-.067P-.2L-TS-2A	0.128	M34 X 1-6g-.100R	1.043
22	2.010	M31 X 1-6g-.100R	1.913	1.3750-.067P-.2L-TS-2A		M37 X 1-6g-.100R	1.155
24	2.195	M34 X 1-6g-.100R	2.070	1.500-.067P-.2L-TS-2A		M41 X 1-6g-.100R	1.273

POLARIZATION KEY CODE TABLE III

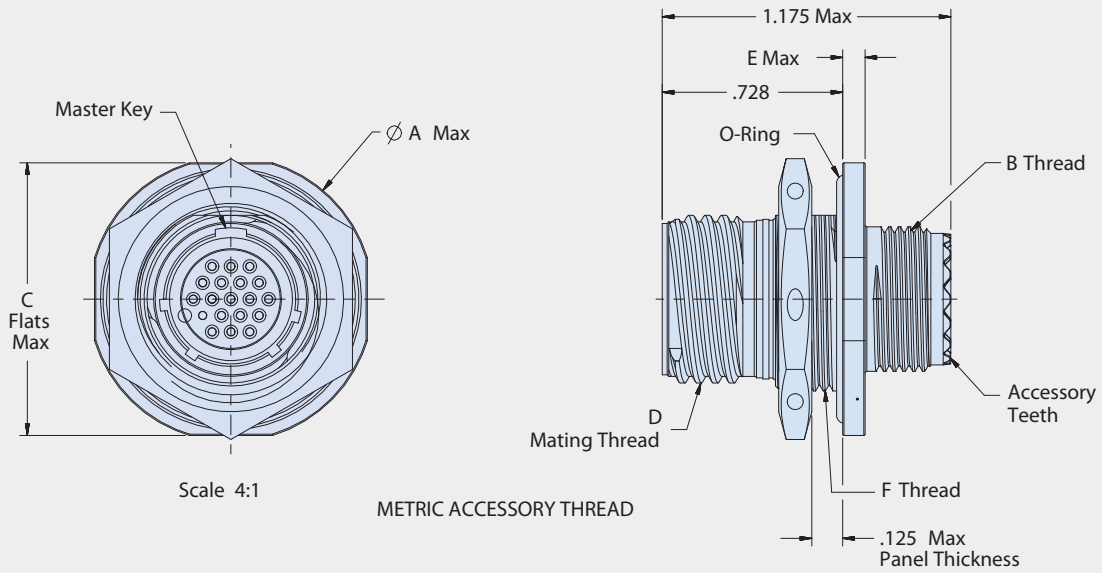
POS	A	B	C	D
A	105	140	215	265
B	102	170	248	305
C	80	150	230	295
D	68	140	205	275
E	64	155	234	304
F	72	120	200	298

SERIES 806 MULTI-PIN RF CONNECTORS

806-080
Jam-Nut Receptacle Connector

SERIES 806 MULTI-PIN RF CONNECTORS

806-080 METRIC ACCESSORY THREAD



806-080 BAND PLATFORM

