

852-157
852-256

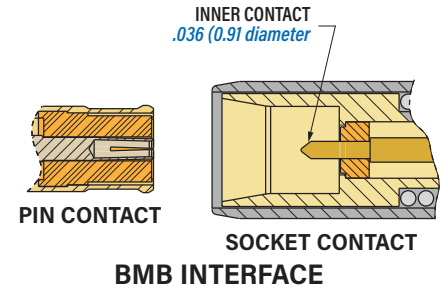
- Size 8
- 50 Ohm
- 18 GHz BMB Style

- G-Link^{RF}
- Female SMA Adapter
- Integral Release Sleeve

SERIES 806 MULTI-PIN RF CONNECTORS



G-Link^{RF}. SMA adapter. 18 GHz. 50 ohm. Size 8. Snap-in, rear release coax contacts fit Glenair Series 795 and Series 806 RF connectors with size 8 contact cavities. BMB-style contact features G-Link^{RF} female SMA adapter and integral release sleeve. Attach male SMA plug directly to contact, no soldering required. 50 ohm nominal impedance. DC - 18 GHz frequency range.



PART NUMBER	
Pin Contact	Socket Contact
852-157	852-256

CONNECTOR COMPATIBILITY

SERIES 795

RF

- Series 795 connectors with size 8 contact cavities

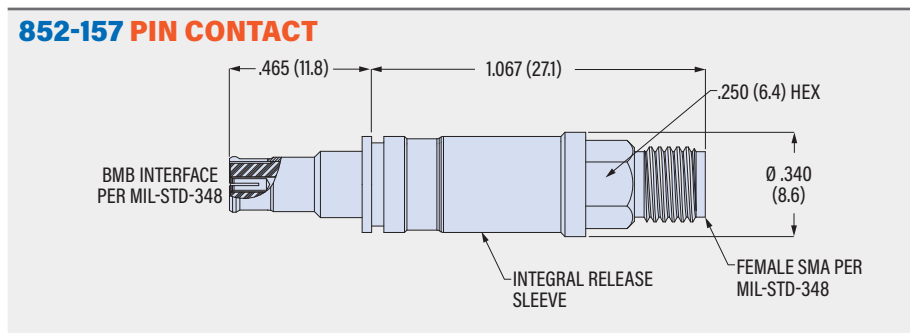
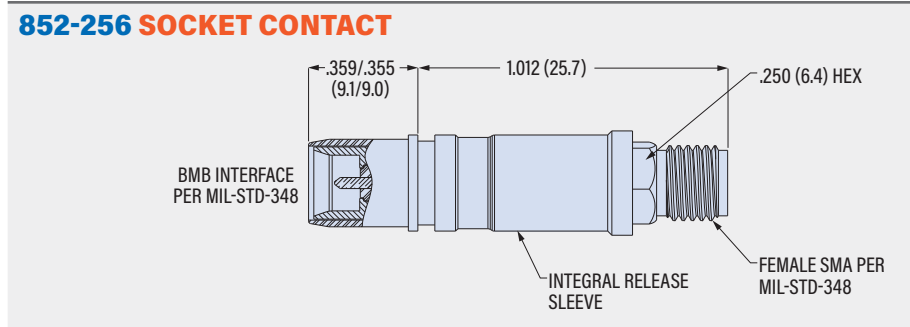
SERIES 806

MIL-AERO

- Series 806 RF connectors with size 8 RF contact cavities (806 RF size 8 contacts are not compatible with standard Series 806)

- CONSTRUCTION
- Center contact: copper alloy, gold over nickel plating
 - Dielectric: fluoropolymer
 - SMA Body: copper alloy, gold over nickel plating
 - Front Body: copper alloy, gold over nickel plating
 - Socket contact outer sleeve: SST, passivated
 - Socket contact spring: SST, passivated
 - Integral release sleeve: SST, passivated

- SPECIFICATIONS
- Operating temperature: -55 °C to +125 °C
 - Dielectric withstanding voltage: 1000 Vac rms
 - Frequency range: DC - 18 GHz
 - VSWR: 1.45 maximum
 - Impedance: 50 ohms
 - Durability: 500 mating cycles



G-Link^{RF}

18 GHz **G-Link^{RF}** contacts have a BMB-style mating end and a female SMA interface on the back end. Compatible with connectors with size 8 rear-release contact arrangements.