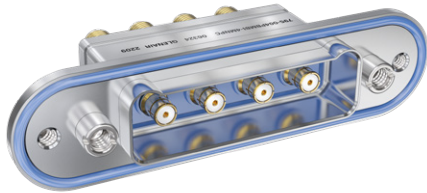


795-004P
 Panel Mount Receptacle, Pin Contacts

- Size #8 Contacts
- All-Aluminum Body
- Two to Nine Ports
- 26.5 GHz Coax
- Environmental
- Scoop-Proof



Shown with 50 ohm G-LinkRF coax contacts (sold separately)

CONSTRUCTION

- Shell: aluminum
- Grommet, face seal: fluorosilicone
- Jackpost: SST, passivated
- Contact retainer clip: copper alloy, unplated
- O-ring: fluorosilicone, filled with silver-plated aluminum
- EMI spring: beryllium copper, nickel plated

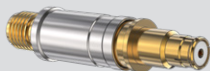
SPECIFICATIONS

- Operating temperature: -55 °C to +125 °C
- Shock: EIA-364-27 Condition D
- Vibration: EIA-364-28 Condition V Letter E
- Shell-to-shell resistance: 2.5 milliohms max. with ground spring option

COAX CONTACTS

Not included with 795-004 connector.
 Sold separately.

G-LinkRF



- Part Number **852-157**
- Integral release sleeve
- Attach SMA plug directly to contact

for Flexible Coax Cable



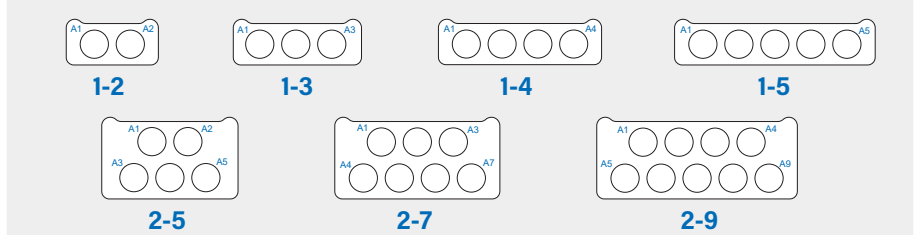
- Part Number **852-071**
- 26.5 GHz, solder termination
- Accepts 402-flex and 405 flex cable

Size 8 contacts. 795-004 panel mount receptacles accommodate from two to nine coax contacts. Environmentally protected with O-ring, fluorosilicone face seal and rear grommet. Housing is 6061-T6 machined aluminum. Size 8 socket contact cavities have beryllium copper retention clips. Use with BMB coax contacts (P/N 852-071, ordered separately) or G-LinkRF BMB/SMA coax contacts (852-157, ordered separately).

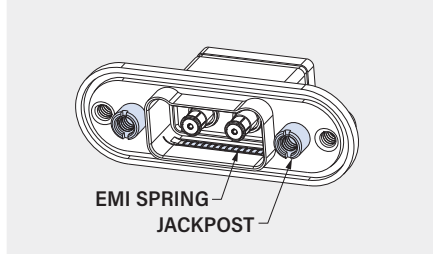
PART NUMBER

		795-004PBMB	1-4	M	E	P	C
Base P/N		795-004PBMB					
Arrangement No.		See Table 1					
		1-2 2 contacts					
		1-3 3 contacts					
		1-4 4 contacts					
		1-5 5 contacts					
		2-5 5 contacts, two row					
		2-7 7 contacts, two row					
		2-9 9 contacts, two row					
Material/ Finish		M Alum/ Electroless Nickel					
		MT Alum/ Nickel-PTFE					
		ZR Alum/ Black Zinc-Nickel					
EMI Spring		E EMI Spring					
		N No Spring					
Jackpost		P Jackpost #8-32, Non-Removable					
		N No Jackpost					
O-ring		C Conductive O-ring					
		N No O-ring					

TABLE 1 ARRANGEMENT NUMBER



JACKPOST AND EMI SPRING



REMOVAL TOOL



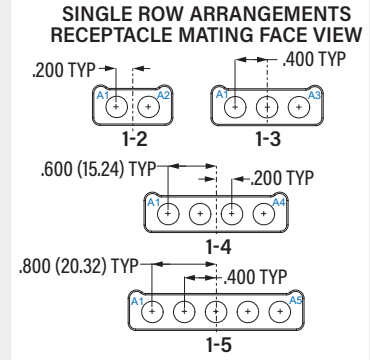
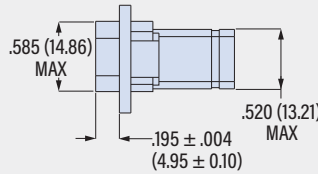
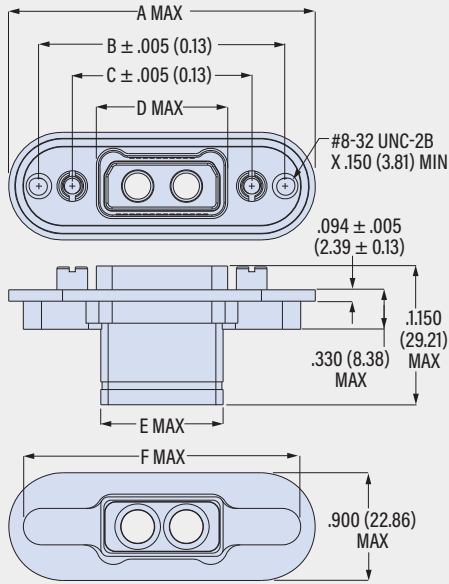
SERIES 795 MULTI-PIN RF CONNECTORS

795-004P
 Panel Mount Receptacle, Pin Contacts

- Size #8 Contacts
- 26.5 GHz Coax
- All-Aluminum Body
- Environmental
- Two to Nine Ports
- Scoop-Proof

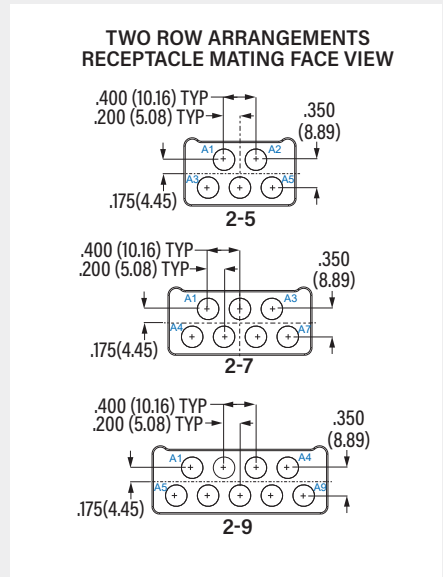
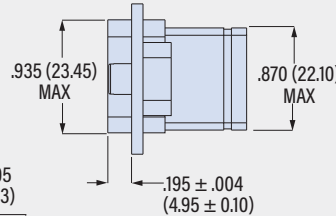
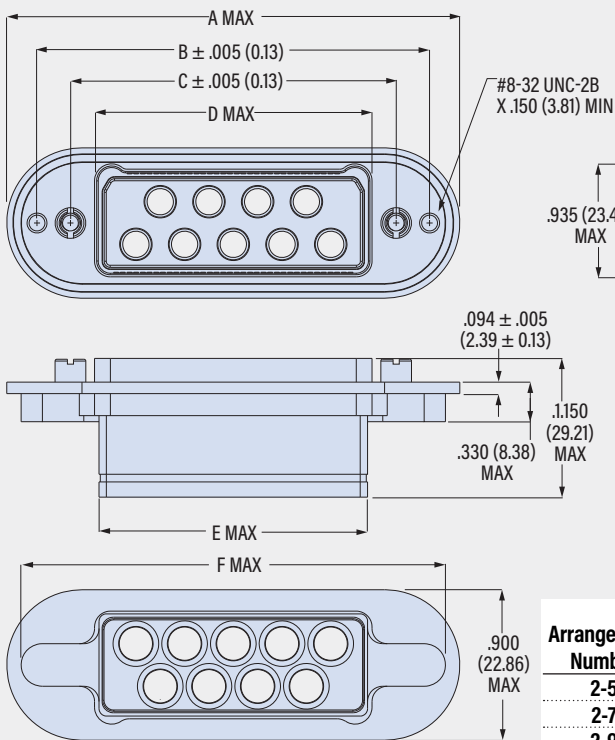
SERIES 795 MULTI-PIN RF CONNECTORS

795-004P SINGLE ROW



Arrangement Number	A Max		B ±.005 (0.13)		C ±.005 (0.13)		D Max		E Max		F Max	
	in	mm	in	mm	in	mm	in	mm	in	mm	in	mm
1-2	2.625	66.68	2.099	53.31	1.475	37.47	1.090	27.69	1.015	25.78	2.370	60.20
1-3	3.025	76.84	2.499	63.47	1.875	47.63	1.490	37.85	1.415	35.94	2.770	70.36
1-4	3.425	87.00	2.899	74.63	2.275	57.79	1.890	48.01	1.815	46.10	3.170	80.52
1-5	3.825	95.25	3.299	83.79	2.675	67.95	2.290	58.17	2.215	56.26	3.570	90.68

795-004P TWO ROW



Arrangement Number	A Max		B ±.005 (0.13)		C ±.005 (0.13)		D Max		E Max		F Max	
	in	mm	in	mm	in	mm	in	mm	in	mm	in	mm
2-5	3.025	76.84	2.499	63.47	1.875	47.63	1.490	37.85	1.415	35.94	2.770	70.36
2-7	3.425	87.00	2.899	73.63	2.275	57.79	1.890	48.01	1.815	46.10	3.170	80.52
2-9	3.825	97.16	3.299	83.79	2.675	67.95	2.290	58.17	2.215	56.26	3.570	90.68