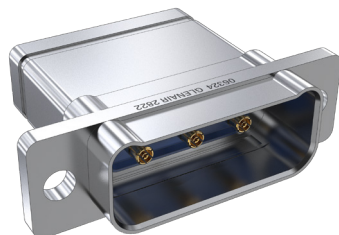


**795-006P**  
 Cable Receptacle, Pin Contacts

- Size #12 Contacts
- 40 GHz SMPM Coax
- All-Aluminum Body
- Environmental
- Three to Eleven Ports
- Scoop-Proof



*Three to eleven ports. Size 12 contacts.* 795-006 receptacles have machined aluminum housings and fluorosilicone grommet for environmental protection. Size 12 pin contact cavities have beryllium copper retention clips. Use with 40 GHz SMPM coax contacts (P/N 852-099, ordered separately).

**CONSTRUCTION**

- Shell: aluminum
- Grommet: fluorosilicone
- Jackscrew: SST, passivated
- Contact retainer clip: copper alloy, unplated

**SPECIFICATIONS**

- Operating temperature: -55 °C to +125 °C
- Shock: EIA-364-27 Condition D
- Vibration: EIA-364-28 Condition V Letter E
- Shell-to-shell resistance: 2.5 milliohms max. with ground spring option

**COAX CONTACTS**

*Not included with 795-005 connector. Sold separately.*

for Flexible Coax Cable



- See contacts reference page at the beginning of this section for compatible size #12 socket contacts

**PART NUMBER**

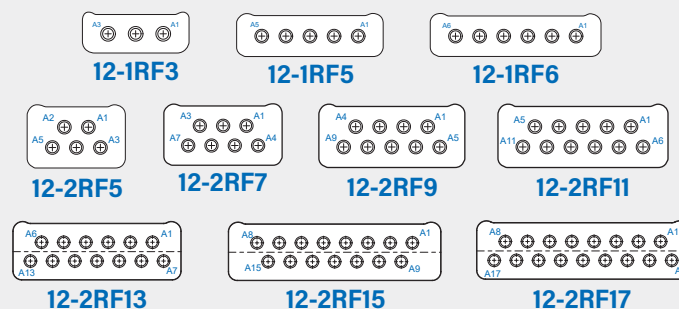
	795-006P	12-1RF3	M	L
<b>Base P/N</b>	795-006P			
<b>Arrangement No.</b>	See Table 1 12-1RF3 3 contacts    12-2RF5 5 contacts, two row 12-1RF5 5 contacts    12-2RF7 7 contacts, two row 12-1RF6 6 contacts    12-2RF9 9 contacts, two row 12-2RF11 11 contacts, two row 12-2RF13 13 contacts, two row 12-2RF15 15 contacts, two row 12-2RF17 17 contacts, two row			
<b>Finish</b>	M Electroless Nickel MT Nickel-PTFE NF Olive Drab Cadmium	TZ Tin-Zinc ZR Black Zinc-Nickel		
<b>Hardware Option</b>	See Table 2 L Jackscrews, Socket Head #8-32, non-removable K Extended Jackscrews Slot Head #8-32, non-removable S Low-Profile Socket Head Screwlock #8-32, non-removable T Extended Screwlock, Knurled Head #8-32, non-removable P Jackposts #8-32, with nut and lock washer N No Hardware .198 (5.0) diameter thru-holes			

**TABLE 1 ARRANGEMENT NUMBER**

Optimized for Size #12 SMPM Contacts

Cable Diameter: .150" Max

Max Frequency: 40 GHz



**TABLE 2 HARDWARE OPTION**

L	K	S	T	P	N
<b>Socket Head Captive Jackscrew, #8-32</b>	<b>Extended Captive Jackscrew, #8-32</b>	<b>Low-Profile Socket Head Captive Screwlock</b>	<b>Extended Captive Screwlock, Knurled Head</b>	<b>Jackpost, Nut and Lock washer, #8-32</b>	<b>No Jackscrew</b>

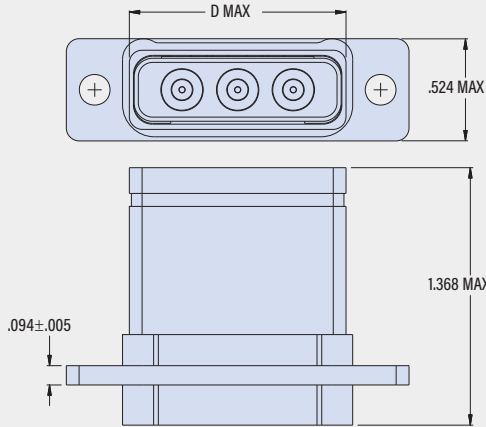
**795-006P**

Cable Receptacle, Pin Contacts

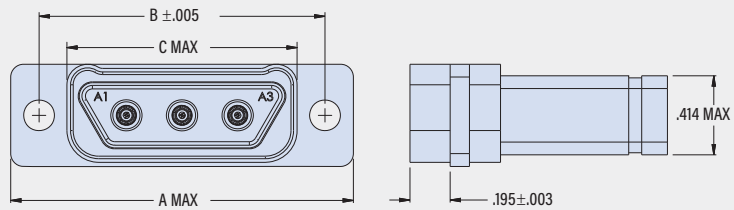
- Size #12 Contacts
- All-Aluminum Body
- Three to Eleven Ports
- 40 GHz SMPM Coax
- Environmental
- Scoop-Proof

SERIES 795 MULTI-PIN RF CONNECTORS

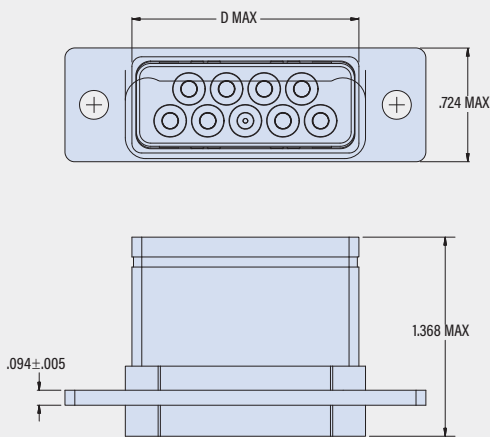
**795-006P SINGLE ROW**



Arrangement Number	A Max		B ± .005 (0.13)		C Max.		D Max.	
	in	mm	in	mm	in	mm	in	mm
12-1RF3	1.673	42.49	1.388	35.26	1.057	26.85	1.062	26.97
12-1RF5	2.275	57.79	1.900	48.26	1.447	36.75	1.435	36.45
12-1RF6	2.511	63.78	2.136	54.25	1.683	42.75	1.671	42.44



**795-006P DUAL ROW**



Arrangement Number	A Max		B ± .005 (0.13)		C Max.		D Max.	
	in	mm	in	mm	in	mm	in	mm
12-2RF5	1.803	45.80	1.428	36.27	1.045	26.54	.963	24.66
12-2RF7	2.039	51.79	1.664	42.27	1.281	32.54	1.199	30.46
12-2RF9	2.275	57.79	1.900	48.26	1.517	38.53	1.435	36.45
12-2RF11	2.511	63.78	2.136	54.25	1.753	44.56	1.671	42.44
12-2RF13	2.747	69.77	2.372	60.24	1.989	50.52	1.907	48.43
12-2RF15	2.983	75.76	2.608	66.24	2.225	56.51	2.143	54.43
12-2RF17	3.219	81.76	2.844	72.23	2.461	62.50	2.379	60.42

