

795-007S
 Panel-Mount Plug, Socket Contacts

- Size #12 Contacts
- All-Aluminum Body
- Three to Eleven Ports
- 40 GHz SMPM Coax
- Environmental
- Scoop-Proof



Size 8 contacts. 795-007 panel mount plugs accommodate from three to eleven coax socket contacts. Environmentally protected with O-ring and rear grommet. Housing is 6061-T6 machined aluminum. Size 12 socket contact cavities have beryllium copper retention clips. Use with SMPM coax contacts (P/N 852-100, ordered separately).

CONSTRUCTION

- Shell: aluminum
- Grommet: fluorosilicone
- Jackscrew: SST, passivated
- Contact retainer clip: copper alloy, unplated

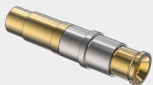
SPECIFICATIONS

- Operating temperature: -55 °C to +125 °C
- Shock: EIA-364-27 Condition D
- Vibration: EIA-364-28 Condition V Letter E
- Shell-to-shell resistance: 2.5 milliohms max. with ground spring option

COAX CONTACTS

*Not included with 795-007 connector.
 Sold separately.*

for Flexible Coax Cable



- See contacts reference page at the beginning of this section for compatible size #12 socket contacts

PART NUMBER

		795-007S	12-1RF3	M	P	N
Base P/N	795-007S					
Arrangement No.	See Table 1 12-1RF3 3 contacts 12-1RF5 5 contacts 12-1RF6 6 contacts 12-2RF5 5 contacts, two row 12-2RF7 7 contacts, two row 12-2RF9 9 contacts, two row 12-2RF11 11 contacts, two row 12-2RF13 13 contacts, two row 12-2RF15 15 contacts, two row 12-2RF17 17 contacts, two row					
Finish	M Electroless Nickel MT Nickel-PTFE NF Olive Drab Cadmium TZ Tin-Zinc ZR Black Zinc-Nickel					
Jackpost	P Jackpost #8-32, Non-Removable N No Jackpost					
O-ring	P Fluorosilicone O-Ring C Conductive O-ring N No O-ring S Metal EMI Spring (non-environmental)					

TABLE 1 ARRANGEMENT NUMBER

Optimized for Size #12 SMPM Contacts



12-1RF3



12-1RF5



12-1RF6

Cable Diameter: .150" Max



12-2RF5



12-2RF7

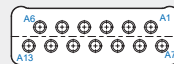


12-2RF9



12-2RF11

Max Frequency: 40 GHz



12-2RF13



12-2RF15



12-2RF17

SERIES 795 MULTI-PIN RF CONNECTORS

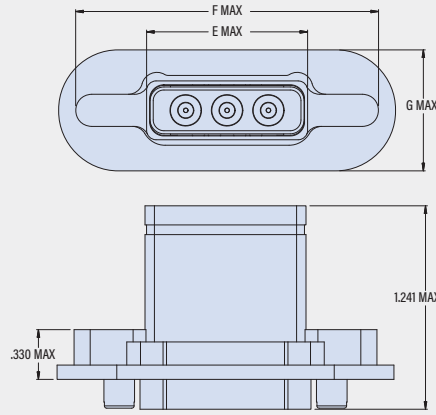
795-007S

Panel-Mount Plug, Socket Contacts

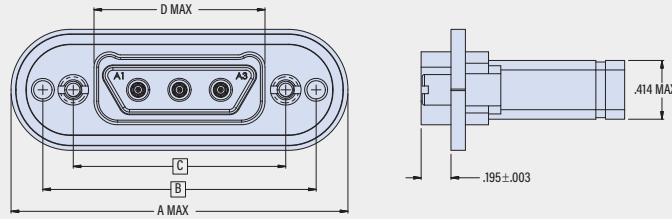
- Size #12 Contacts
- All-Aluminum Body
- Three to Eleven Ports
- 40 GHz SMPM Coax
- Environmental
- Scoop-Proof

SERIES 795 MULTI-PIN RF CONNECTORS

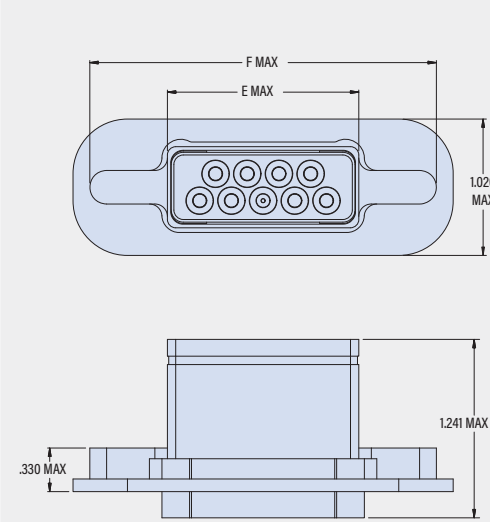
795-007S SINGLE ROW



Arrangement Number	A Max		B Basic		C Basic		D Max		E Max		F Max		G Max	
	in	mm	in	mm	in	mm	in	mm	in	mm	in	mm	in	mm
12-1RF3	2.210	56.13	1.785	45.34	1.388	35.25	1.127	28.63	1.090	27.69	1.983	50.37	.800	20.32
12-1RF5	2.840	72.14	2.375	60.33	1.900	48.26	1.516	38.51	1.440	36.58	2.590	65.79	.820	20.83
12-1RF6	3.075	78.11	2.611	66.32	2.136	54.25	1.752	44.50	1.675	42.54	2.826	71.18	.820	20.83



795-007S DUAL ROW



Arrangement Number	A Max		B Basic		C Basic		D Max		E Max		F Max	
	in	mm	in	mm	in	mm	in	mm	in	mm	in	mm
12-2RF5	2.368	60.15	1.903	48.34	1.428	36.27	1.044	26.52	.968	24.59	2.118	53.80
12-2RF7	2.604	66.14	2.139	54.33	1.664	42.27	1.280	32.51	1.204	30.58	2.354	59.79
12-2RF9	2.840	72.14	2.375	60.33	1.900	48.26	1.516	38.51	1.440	36.58	2.590	65.79
12-2RF11	3.076	78.13	2.611	66.32	2.136	54.25	1.752	44.50	1.676	42.57	2.826	71.78
12-2RF13	3.312	84.12	2.847	72.31	2.372	60.24	1.961	49.80	1.912	48.56	3.062	77.77
12-2RF15	3.548	90.11	3.083	78.30	2.608	66.24	2.197	55.80	2.148	54.55	3.298	83.76
12-2RF17	3.784	96.11	3.319	84.30	2.844	72.23	2.433	61.79	2.384	60.55	3.534	89.76

