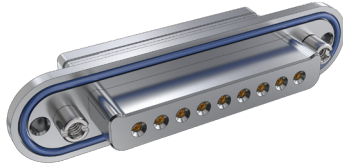


795-011S

Panel-Mount Plug, Socket Contacts

- Size #16 Contacts
- 65 GHz SMPS Coax
- All-Aluminum Body
- Environmental
- Two to Seventeen Ports
- Scoop-Proof



Three to eleven ports. Size 16 contacts. 795-011 plugs have machined aluminum housings and fluorosilicone grommet for environmental protection. Size 16 socket contact cavities have beryllium copper retention clips. Use with 65 GHz SMPS coax contacts (P/N 852-159, ordered separately).

CONSTRUCTION

- Shell: aluminum
- Grommet: fluorosilicone
- Jackscrew: SST, passivated
- Contact retainer clip: copper alloy, unplated

SPECIFICATIONS

- Operating temperature: -55 °C to +125 °C
- Shock: EIA-364-27 Condition D
- Vibration: EIA-364-28 Condition V Letter E
- Shell-to-shell resistance: 2.5 milliohms max. with ground spring option

COAX CONTACTS

*Not included with 795-011 connector.
 Sold separately.*

for S/R or Flexible Coax Cable



- See contacts reference page at the beginning of this section for compatible size #16 socket contacts

PART NUMBER

		795-011S	16-1RF2	M	P	N
Base P/N	795-011S					
Arrangement No.	See Table 1					
	16-1RF2	2 contacts				
	16-1RF3	3 contacts				
	16-1RF5	5 contacts				
	16-1RF7	7 contacts				
	16-1RF9	9 contacts				
	16-2RF5	5 contacts, two row				
	16-2RF9	9 contacts, two row				
Finish	M	Electroless Nickel				
	MT	Nickel-PTFE				
	NF	Olive Drab Cadmium				
	TZ	Tin-Zinc				
	ZR	Black Zinc-Nickel				
Jackpost	P	Jackpost #8-32, Non-Removable				
	N	No Jackpost				
O-ring	F	Fluorosilicone O-Ring				
	C	Conductive O-ring				
	N	No O-ring				
	S	Metal EMI Spring (non-environmental)				

TABLE 1 ARRANGEMENT NUMBER

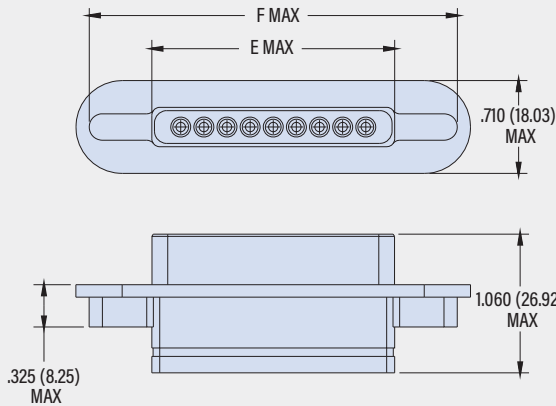
Optimized for Size #16 SMPS Contacts					
	16-1RF2	16-1RF3	16-1RF5	16-1RF7	16-1RF9
Cable diameter: .086" Max					
Max Freq: 65 GHz	16-2RF5	16-2RF9	16-2RF13	16-2RF17	

795-011S

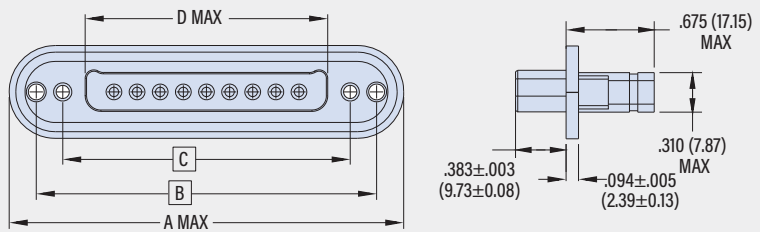
Panel-Mount Plug, Socket Contacts

- Size #16 Contacts
- 65 GHz SMPS Coax
- All-Aluminum Body
- Environmental
- Two to Seventeen Ports
- Scoop-Proof

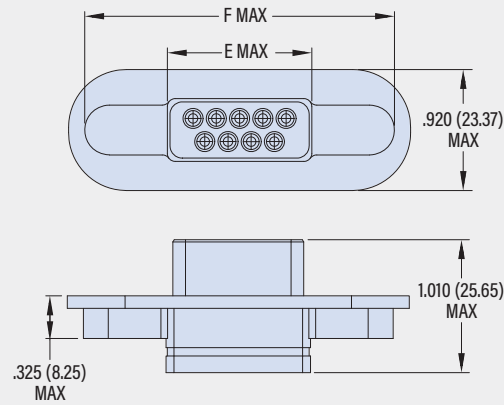
795-011S SINGLE ROW



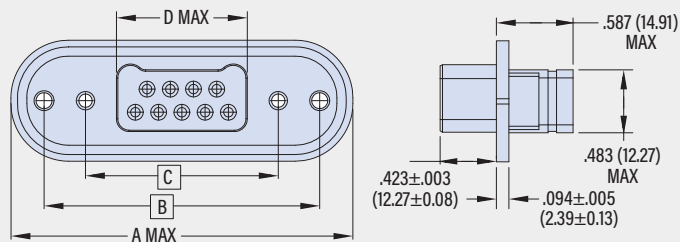
Arrangement Number	A Max		B ± .005 (0.13)		C Max.		D Max.	
	in	mm	in	mm	in	mm	in	mm
16-1RF2	1.185	30.01	.900	22.86	1.045	26.54	.963	24.66
16-1RF3	1.410	35.81	1.125	25.58	1.281	32.54	1.199	30.46
16-1RF5	1.560	39.62	1.085	27.56	1.517	38.53	1.435	36.45
16-1RF7	2.085	52.96	1.800	45.72	1.753	44.56	1.671	42.44
16-1RF9	2.460	62.48	2.175	55.25	1.835	46.61	1.840	46.74



795-011S DUAL ROW



Arrangement Number	A Max		B Basic		C Basic		D Max	E Max	F Max			
	in	mm	in	mm	in	mm						
16-2RF5	2.208	56.08	1.699	43.15	1.075	27.31	0.614	15.60	0.717	18.21	1.965	49.91
16-2RF9	2.583	65.61	2.074	52.68	1.450	36.83	0.989	25.12	1.092	27.74	2.340	59.44
16-2RF13	2.958	75.13	2.449	62.20	1.825	46.36	1.364	34.65	1.467	37.26	2.715	68.96
16-2RF17	3.350	85.09	2.824	71.73	2.200	55.88	1.739	44.17	1.842	46.79	3.090	78.49



SERIES 795 MULTI-PIN RF CONNECTORS