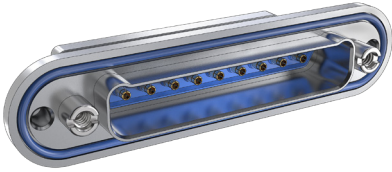


**795-012P**  
 Panel Mount Receptacle, Pin Contacts

- Size #16 Contacts
- 65 GHz SMPS Coax
- All-Aluminum Body
- Environmental
- Two to Seventeen Ports
- Scoop-Proof



*Three to eleven ports. Size 16 contacts.* 795-012 receptacles have machined aluminum housings and fluorosilicone grommet for environmental protection. Size 16 pin contact cavities have beryllium copper retention clips. Use with 65 GHz SMPS coax contacts (P/N 852-133, ordered separately).

**CONSTRUCTION**

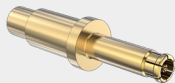
- Shell: aluminum
- Grommet: fluorosilicone
- Jackscrew: SST, passivated
- Contact retainer clip: copper alloy, unplated

**SPECIFICATIONS**

- Operating temperature: -55 °C to +125 °C
- Shock: EIA-364-27 Condition D
- Vibration: EIA-364-28 Condition V Letter E
- Shell-to-shell resistance: 2.5 milliohms max. with ground spring option

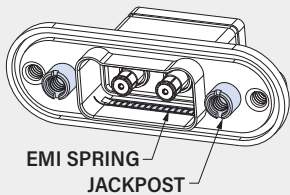
**COAX CONTACTS**

*Not included with 795-012 connector. Sold separately.*  
 for S/R or Flexible Coax Cable



- See contacts reference page at the beginning of this section for compatible size #16 socket contacts

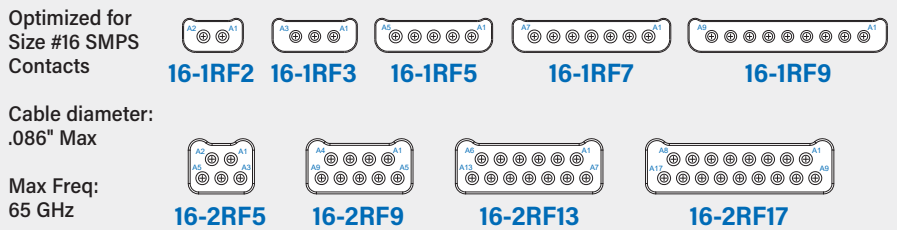
**JACKPOST AND EMI SPRING**



**PART NUMBER**

		795-012P	16-1RF2	M	P	N
<b>Base P/N</b>	795-012P					
<b>Arrangement No.</b>	<i>See Table 1</i>					
	16-1RF2	2 contacts				
	16-1RF3	3 contacts				
	16-1RF5	5 contacts				
	16-1RF7	7 contacts				
	16-1RF9	9 contacts				
	16-2RF5	5 contacts, two row				
	16-2RF9	9 contacts, two row				
<b>Finish</b>	M	Electroless Nickel				
	MT	Nickel-PTFE				
	NF	Olive Drab Cadmium				
	TZ	Tin-Zinc				
	ZR	Black Zinc-Nickel				
<b>Jackpost</b>	P	Jackpost #8-32, Non-Removable				
	N	No Jackpost				
<b>O-ring</b>	F	Fluorosilicone O-Ring				
	C	Conductive O-ring				
	N	No O-ring				
	S	Metal EMI Spring (non-environmental)				

**TABLE 1 ARRANGEMENT NUMBER**



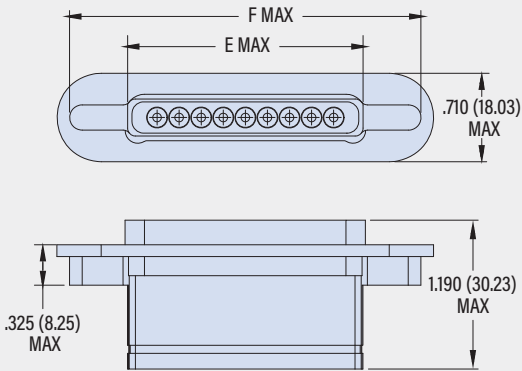
SERIES 795 MULTI-PIN RF CONNECTORS

**795-012P**  
 Panel Mount Receptacle, Pin Contacts

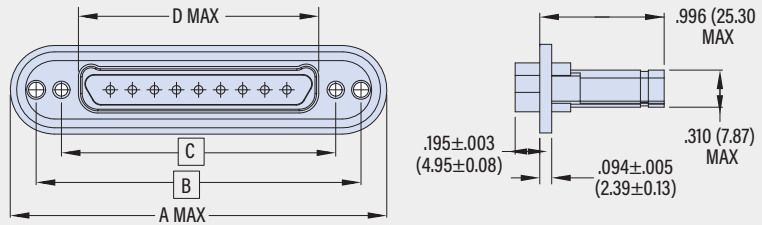
- Size #16 Contacts
- 65 GHz SMPS Coax
- All-Aluminum Body
- Environmental
- Two to Seventeen Ports
- Scoop-Proof

SERIES 795 MULTI-PIN RF CONNECTORS

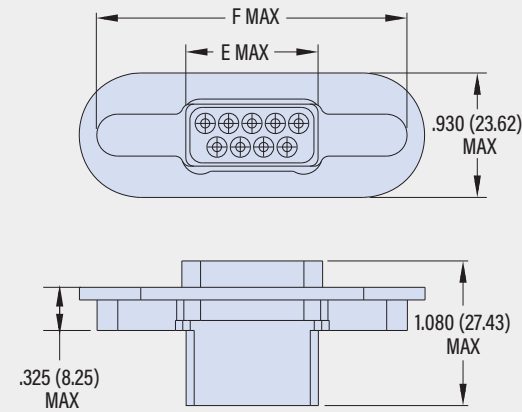
**795-012P SINGLE ROW**



Arrangement Number	A Max		B Basic		C Basic		D Max		E Max		F Max	
	in	mm	in	mm	in	mm	in	mm	in	mm	in	mm
16-1RF2	1.715	43.56	1.300	33.02	0.900	22.86	0.565	14.35	0.635	16.13	0.560	14.22
16-1RF3	1.940	49.28	1.525	38.74	1.125	28.58	0.790	20.07	0.860	21.84	0.810	20.57
16-1RF5	2.240	56.90	1.825	46.36	1.425	36.20	1.090	27.69	1.160	29.46	1.110	28.19
16-1RF7	2.615	66.42	2.200	55.88	1.800	45.72	1.465	37.21	1.535	38.99	1.462	37.13
16-1RF9	2.990	75.95	2.575	65.41	2.175	55.25	1.840	46.74	1.910	48.51	1.872	47.55



**795-012P DUAL ROW**



Arrangement Number	A Max		B Basic		C Basic		D Max		E Max		F Max	
	in	mm	in	mm	in	mm	in	mm	in	mm	in	mm
16-2RF5	2.208	56.08	1.699	43.15	1.075	27.31	.684	17.37	.620	15.75	1.965	49.91
16-2RF9	2.583	65.61	2.074	52.68	1.450	36.83	1.059	26.90	.995	25.27	2.340	59.44
16-2RF13	2.958	75.13	2.449	62.20	1.825	46.36	1.434	36.42	1.370	34.80	2.715	68.96
16-2RF17	3.350	85.09	2.824	71.73	2.200	55.88	1.809	45.95	1.745	44.32	3.090	78.49

