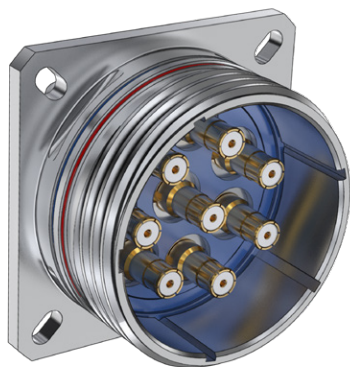


233-290

Plug and Receptacle Connectors



PART NUMBER

	233-290	-00	ME	17RF6	N
Base P/N	233-290 SuperNine RF Connector				
Connector Style	<ul style="list-style-type: none"> G6 Plug 00 Wall-Mount Receptacle, Slotted Holes 05 In-Line Receptacle 07 Jam Nut Receptacle CS Wall Mount Receptacle, Std. Clinch Nuts CM Wall Mount Receptacle, Metric Clinch Nuts HS Wall-Mount Receptacle, Std. Helicoil HM Wall-Mount Receptacle, Metric Helicoil 				
Material/ Finish	<ul style="list-style-type: none"> NF Alum/ Cad/O.D. over Electroless Nickel MT Alum/ Nickel-PTFE ME Alum/ Electroless Nickel ZR Alum/ Black Zinc-Nickel ZL SST/ Nickel Plating 				
Size and Layout	See Table 1				
Polarization	A, B, C, D, N				

SUPERNINE MULTI-PIN RF CONNECTORS

TABLE 1 SHELL SIZE / CONTACT LAYOUT

11RF1	11RF2	13RF4	15RF5	17RF6	17RF8	19RF11
Shell Sz. 11 • 1 #8 contact	Shell Sz. 11 • 2 #16 contacts	Shell Sz. 13 • 4 #16 contacts	Shell Sz. 15 • 5 #16 contacts	Shell Sz. 17 • 6 #12 contacts	Shell Sz. 17 • 8 #16 contacts	Shell Sz. 19 • 11 #16 contacts
21RF11	21RF16	23RF21	23RF97	23RF99		
Shell Size 21 • 11 #12 contacts	Shell Size 21 • 16 #16 contacts	Shell Size 21 • 21 #16 contacts	Shell Size 23 • 16 #16 contacts	Shell Size 23 • 11 #16 contacts		
25RF8	25RF19	25RF29				
Shell Size 25 • 8 #8 contacts	Shell Size 25 • 19 #12 contacts	Shell Size 25 • 29 #16 contacts				

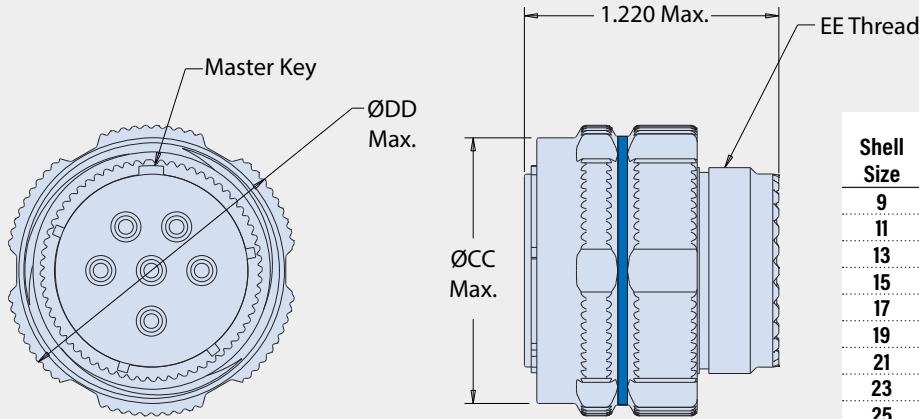
233-290

Plug and Receptacle Connectors

- 233-290-G6 Plug
- 233-290-00 Wall-Mount Receptacle

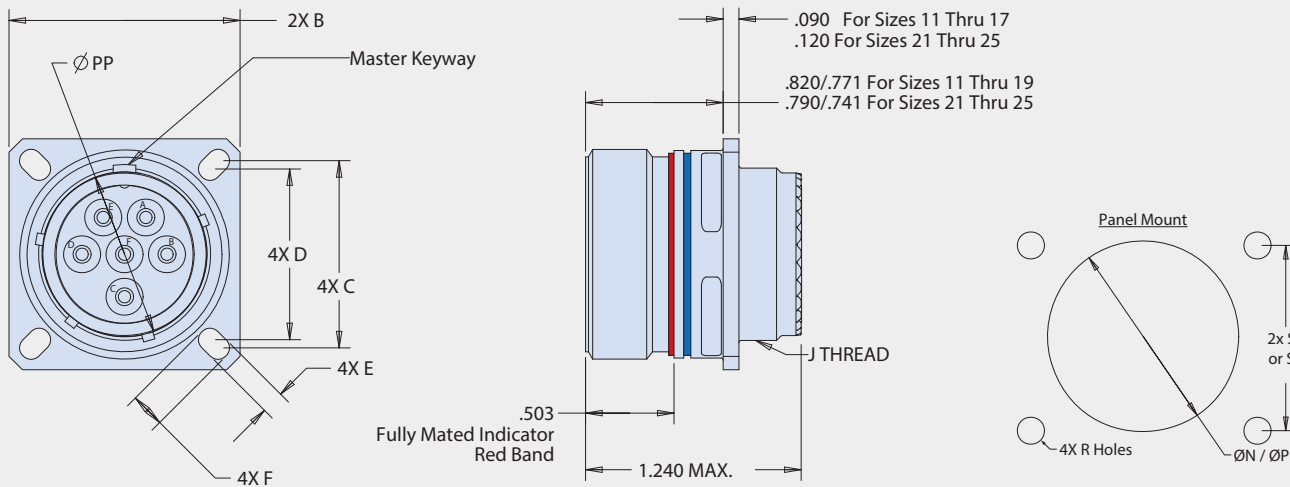
SUPERNINE MULTI-PIN RF CONNECTORS

233-290-G6 PLUG WITH EMI SPRING



Shell Size	ØCC Max		ØDD Max		EE Thread
	in	mm	in	mm	
9	.732	18.59	.858	21.79	M12 X 1.0-6g 0.100R
11	.839	21.31	.984	24.99	M15 X 1.0-6g 0.100R
13	1.008	25.60	1.157	29.39	M18 X 1.0-6g 0.100R
15	1.138	28.91	1.280	32.51	M22 X 1.0-6g 0.100R
17	1.276	32.41	1.406	35.71	M25 X 1.0-6g 0.100R
19	1.382	35.10	1.516	38.51	M28 X 1.0-6g 0.100R
21	1.508	38.30	1.642	41.71	M31 X 1.0-6g 0.100R
23	1.626	41.30	1.768	44.91	M34 X 1.0-6g 0.100R
25	1.752	44.50	1.89	48.01	M37 X 1.0-6g 0.100R

233-290-00 WALL-MOUNT RECEPTACLE WITH SLOTTED HOLES

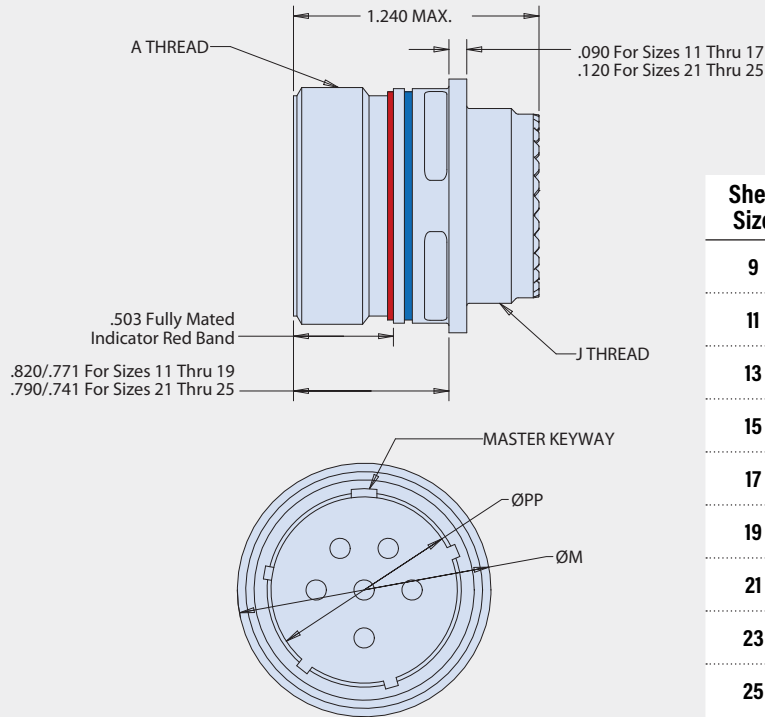


Shell Size	A Thread -IP-.3L-TS-2A	B Sq	C Bsc	D Bsc	PP	E	F	J Thread X 1.0-6g 0.100R	ØN Min. (back panel mount)	ØP Min. (front panel mount)	S1 Bsc. (back panel mount)	S2 Bsc. (front panel mount)	ØR Holes
9	.6250	.949 (24.10) .925 (23.50)	.719 (18.26)	.594 (15.09)	.447 (11.35) .441 (11.20)		.224 (5.69) .208 (5.28)	M12	.656 (16.66)	.516 (13.12)	.719 (18.26)	.594 (15.09)	
11	.7500	1.043 (26.49) 1.019 (25.88)	.812 (20.62)	.719 (18.26)	.575 (14.60) .569 (14.45)		.202 (5.13) .186 (4.72)	M15	.796 (20.22)	.625 (15.88)	.812 (20.62)	.719 (18.26)	
13	.8750	1.138 (28.91) 1.092 (27.74)	.906 (23.01)	.812 (20.62)	.687 (17.45) .681 (17.30)			M18	.922 (23.42)	.750 (19.05)	.906 (23.01)	.812 (20.62)	
15	1.0000	1.232 (31.29) 1.208 (30.68)	.969 (24.61)	.906 (23.01)	.812 (20.62) .804 (20.42)	.136 (3.45) .120 (3.05)	.181 (4.60) .165 (4.19)	M22	1.047 (26.59)	.906 (23.01)	.969 (24.61)	.906 (23.01)	.133 (3.38) .123 (3.12)
17	1.1875	1.323 (33.60) 1.299 (32.99)	1.062 (26.97)	.969 (24.61)	.937 (23.80) .930 (23.62)			M25	1.219 (30.96)	1.016 (25.81)	1.062 (26.97)	.969 (24.61)	
19	1.2500	1.449 (36.80) 1.425 (36.20)	1.156 (29.36)	1.062 (26.97)	1.042 (26.47) 1.036 (26.31)		.202 (5.13) .186 (4.72)	M28	1.297 (32.94)	1.141 (28.98)	1.156 (29.36)	1.062 (26.97)	
21	1.3750	1.575 (40.00) 1.551 (39.40)	1.250 (31.75)	1.156 (29.36)	1.167 (29.64) 1.161 (29.49)			M31	1.422 (36.12)	1.266 (32.16)	1.250 (31.75)	1.156 (29.36)	
23	1.5000	1.701 (43.21) 1.677 (42.60)	1.375 (34.92)	1.250 (31.75)	1.292 (32.82) 1.286 (32.66)	.162 (4.11)	.250 (6.35)	M34	1.547 (39.29)	1.375 (34.93)	1.375 (34.92)	1.250 (31.75)	.159 (4.04)
25	1.6250	1.823 (46.30) 1.799 (45.69)	1.500 (38.10)	1.375 (34.92)	1.417 (35.99) 1.411 (35.84)	.146 (3.71)	.234 (5.94)	M37	1.672 (42.47)	1.484 (37.69)	1.500 (38.10)	1.375 (34.92)	.149 (3.78)

233-290
Receptacle Connectors

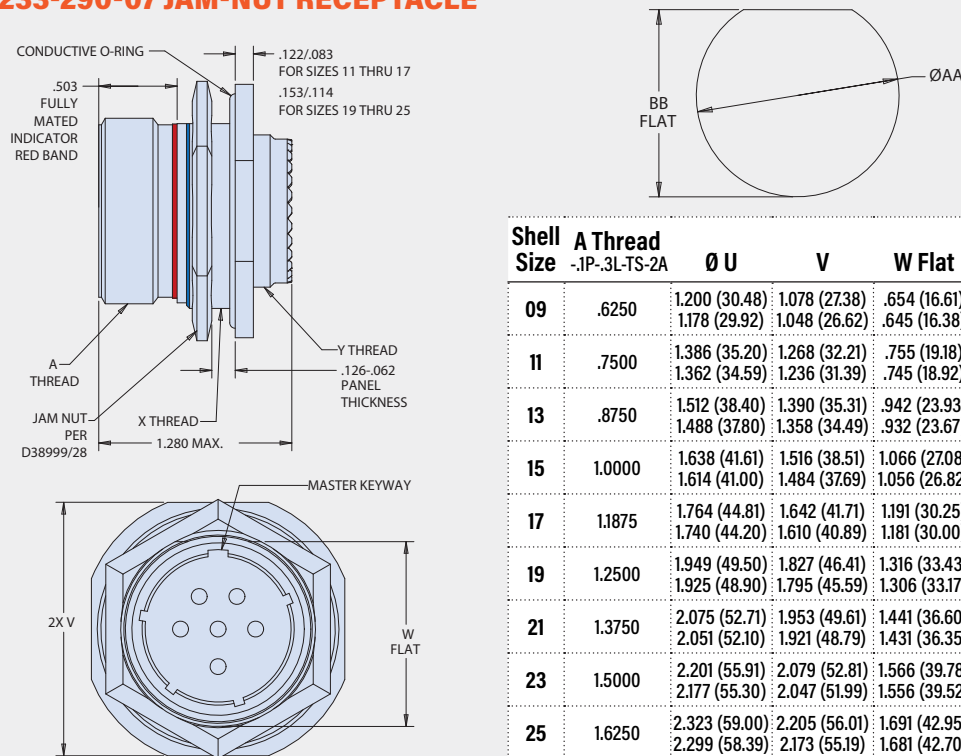
- 233-290-05 In-Line Receptacle
- 233-290-07 Jam-Nut Receptacle

233-290-05 IN-LINE RECEPTACLE



Shell Size	A Thread -1P-.3L-TS-2A	PP	J Thread X 1.0-6g 0.100R	L Thread	ØM Max
9	.6250	.447 (11.35) .441 (11.20)	M12		.858 (21.79)
11	.7500	.575 (14.60) .569 (14.45)	M15		.984 (24.99)
13	.8750	.687 (17.45) .681 (17.30)	M18		1.157 (29.39)
15	1.0000	.812 (20.62) .804 (20.42)	M22	.112-40 UNC	1.280 (32.51)
17	1.1875	.937 (23.80) .930 (23.62)	M25		1.406 (35.71)
19	1.2500	1.042 (26.47) 1.036 (26.31)	M28		1.516 (38.51)
21	1.3750	1.167 (29.64) 1.161 (29.49)	M31		1.642 (41.71)
23	1.5000	1.292 (32.82) 1.286 (32.66)	M34	.138-32 UNC	1.768 (44.91)
25	1.6250	1.417 (35.99) 1.411 (35.84)	M37		1.890 (48.01)

233-290-07 JAM-NUT RECEPTACLE

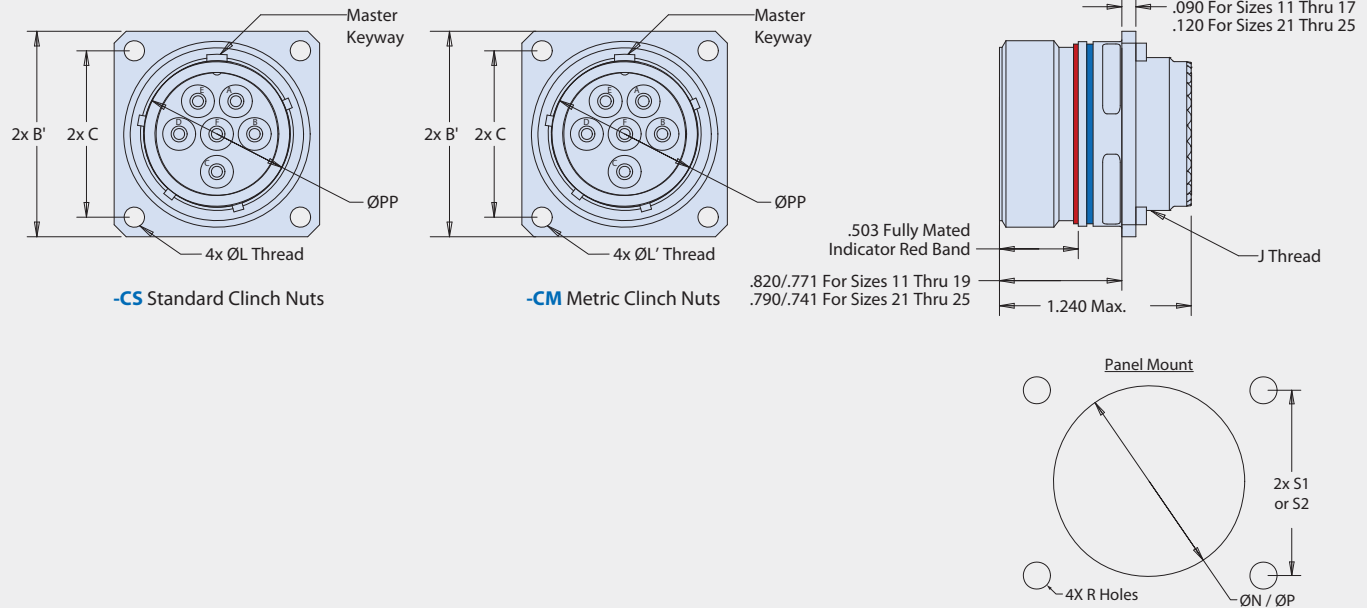


Shell Size	A Thread -1P-.3L-TS-2A	Ø U	V	W Flat	X Thread X 1.0-6g 0.100R	Y Thread X 1.0-6g 0.100R	ØAA	BB Flat
09	.6250	1.200 (30.48) 1.178 (29.92)	1.078 (27.38) 1.048 (26.62)	.654 (16.61) .645 (16.38)	M17	M12	.703 .693	.661 (16.79) .654 (16.61)
11	.7500	1.386 (35.20) 1.362 (34.59)	1.268 (32.21) 1.236 (31.39)	.755 (19.18) .745 (18.92)	M20	M15	.835 .825	.771 (19.58) .761 (19.33)
13	.8750	1.512 (38.40) 1.488 (37.80)	1.390 (35.31) 1.358 (34.49)	.942 (23.93) .932 (23.67)	M25	M18	1.020 1.010	.955 (24.26) .945 (24.00)
15	1.0000	1.638 (41.61) 1.614 (41.00)	1.516 (38.51) 1.484 (37.69)	1.066 (27.08) 1.056 (26.82)	M28	M22	1.145 1.135	1.085 (27.56) 1.075 (27.30)
17	1.1875	1.764 (44.81) 1.740 (44.20)	1.642 (41.71) 1.610 (40.89)	1.191 (30.25) 1.181 (30.00)	M32	M25	1.270 1.260	1.210 (30.73) 1.200 (30.48)
19	1.2500	1.949 (49.50) 1.925 (48.90)	1.827 (46.41) 1.795 (45.59)	1.316 (33.43) 1.306 (33.17)	M35	M28	1.395 1.385	1.335 (33.91) 1.325 (33.65)
21	1.3750	2.075 (52.71) 2.051 (52.10)	1.953 (49.61) 1.921 (48.79)	1.441 (36.60) 1.431 (36.35)	M38	M31	1.520 1.510	1.460 (37.08) 1.450 (36.83)
23	1.5000	2.201 (55.91) 2.177 (55.30)	2.079 (52.81) 2.047 (51.99)	1.566 (39.78) 1.556 (39.52)	M41	M34	1.645 1.635	1.585 (40.26) 1.575 (40.00)
25	1.6250	2.323 (59.00) 2.299 (58.39)	2.205 (56.01) 2.173 (55.19)	1.691 (42.95) 1.681 (42.70)	M44	M37	1.770 1.760	1.710 (43.43) 1.700 (43.18)

233-290
 Receptacle Connectors

- 233-290-CS Wall-Mount, Std. Clinch Nuts
- 233-290-CM Wall-Mount, Metric Clinch Nuts

233-290 WALL-MOUNT RECEPTACLE WITH -CS STANDARD OR -CM METRIC CLINCH NUTS



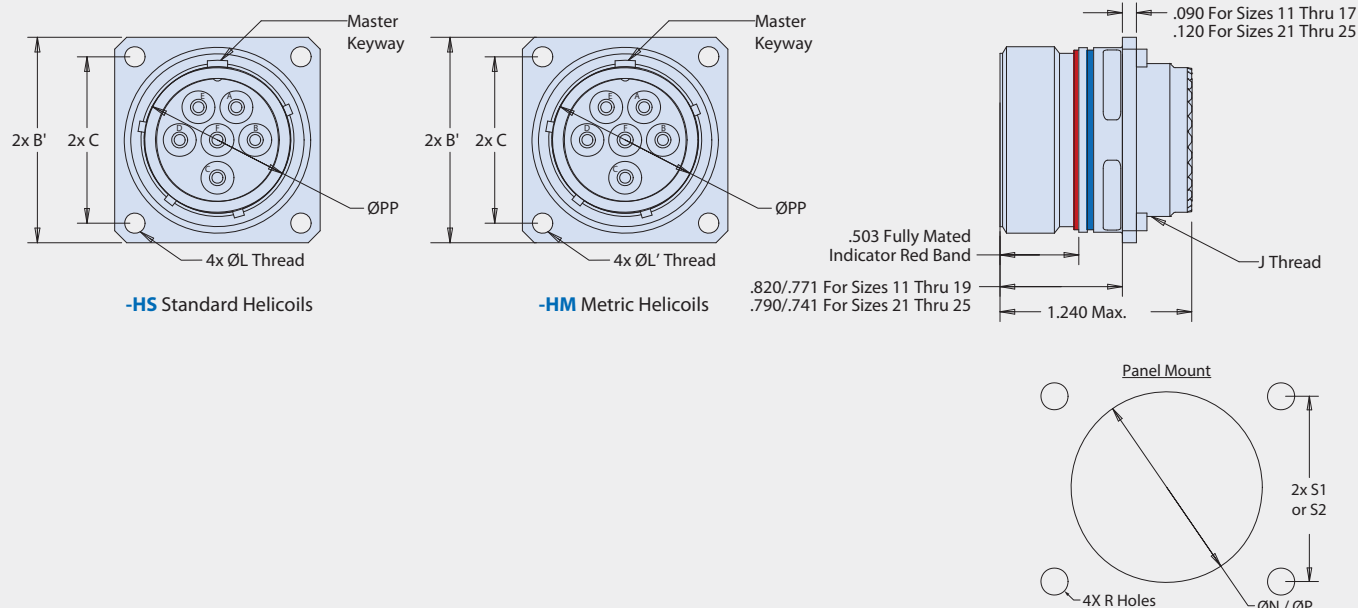
Shell Size	A Thread -.1P-.3L- TS-2A	B'	C Bsc	PP	J Thread	L Thread	L' Thread	ØN Min. (back panel mount)	ØP Min. (front panel mount)	S1 Bsc. (back panel mount)	S2 Bsc. (front panel mount)	ØR Holes
9	.6250	1.039 (26.39) .999 (25.37)	.719 (18.26)	.447 (11.35) .441 (11.20)	M12 X 1.0-6g 0.100R			.656 (16.66)	.516 (13.12)	.719 (18.26)	.594 (15.09)	
11	.7500	1.132 (28.75) 1.092 (27.74)	.812 (20.62)	.575 (14.60) .569 (14.45)	M15 X 1.0-6g 0.100R			.796 (20.22)	.625 (15.88)	.812 (20.62)	.719 (18.26)	
13	.8750	1.226 (31.14) 1.186 (30.12)	.906 (23.01)	.687 (17.45) .681 (17.30)	M18 X 1.0-6g 0.100R			.922 (23.42)	.750 (19.05)	.906 (23.01)	.812 (20.62)	
15	1.0000	1.289 (32.74) 1.249 (31.72)	.969 (24.61)	.812 (20.62) .804 (20.42)	M22 X 1.0-6g 0.100R	.112-40 UNC	M3X 0.5	1.047 (26.59)	.906 (23.01)	.969 (24.61)	.906 (23.01)	.133 (3.38) .123 (3.12)
17	1.1875	1.382 (35.10) 1.342 (34.09)	1.062 (26.97)	.937 (23.80) .930 (23.62)	M25 X 1.0-6g 0.100R			1.219 (30.96)	1.016 (25.81)	1.062 (26.97)	.969 (24.61)	
19	1.2500	1.476 (37.49) 1.436 (36.47)	1.156 (29.36)	1.042 (26.47) 1.036 (26.31)	M28 X 1.0-6g 0.100R			1.297 (32.94)	1.141 (28.98)	1.156 (29.36)	1.062 (26.97)	
21	1.3750	1.582 (40.18) 1.542 (39.17)	1.250 (31.75)	1.167 (29.64) 1.161 (29.49)	M31 X 1.0-6g 0.100R			1.422 (36.12)	1.266 (32.16)	1.250 (31.75)	1.156 (29.36)	
23	1.5000	1.739 (44.17) 1.699 (43.15)	1.375 (34.92)	1.292 (32.82) 1.286 (32.66)	M34 X 1.0-6g 0.100R	.138-32 UNC	M4X 0.7	1.547 (39.29)	1.375 (34.93)	1.375 (34.92)	1.250 (31.75)	.159 (4.04) .149 (3.78)
25	1.6250	1.884 (47.85) 1.824 (46.33)	1.500 (38.10)	1.417 (35.99) 1.411 (35.84)	M37 X 1.0-6g 0.100R			1.672 (42.47)	1.484 (37.69)	1.500 (38.10)	1.375 (34.92)	

SUPER NINE MULTI-PIN RF CONNECTORS

233-290
 Receptacle Connectors

- 233-290-HS Wall-Mount, Std. Helicoils
- 233-290-HM Wall-Mount, Metric Helicoils

233-290 WALL-MOUNT RECEPTACLE WITH -HS STANDARD HELICOILS OR -HM METRIC HELICOILS



Shell Size	A Thread -.1P-.3L- TS-2A	B'	C Bsc.	PP	J Thread	L Thread	L' Thread	ØN Min. (back panel mount)	ØP Min. (front panel mount)	S1 Bsc. (back panel mount)	S2 Bsc. (front panel mount)	ØR Holes
9	.6250	1.039 (26.39) .999 (25.37)	.719 (18.26)	.447 (11.35) .441 (11.20)	M12 X 1.0-6g 0.100R			.656 (16.66)	.516 (13.12)	.719 (18.26)	.594 (15.09)	
11	.7500	1.132 (28.75) 1.092 (27.74)	.812 (20.62)	.575 (14.60) .569 (14.45)	M15 X 1.0-6g 0.100R			.796 (20.22)	.625 (15.88)	.812 (20.62)	.719 (18.26)	
13	.8750	1.226 (31.14) 1.186 (30.12)	.906 (23.01)	.687 (17.45) .681 (17.30)	M18 X 1.0-6g 0.100R			.922 (23.42)	.750 (19.05)	.906 (23.01)	.812 (20.62)	
15	1.0000	1.289 (32.74) 1.249 (31.72)	.969 (24.61)	.812 (20.62) .804 (20.42)	M22 X 1.0-6g 0.100R	.112-40 UNC	M3X 0.5	1.047 (26.59)	.906 (23.01)	.969 (24.61)	.906 (23.01)	.133 (3.38) .123 (3.12)
17	1.1875	1.382 (35.10) 1.342 (34.09)	1.062 (26.97)	.937 (23.80) .930 (23.62)	M25 X 1.0-6g 0.100R			1.219 (30.96)	1.016 (25.81)	1.062 (26.97)	.969 (24.61)	
19	1.2500	1.476 (37.49) 1.436 (36.47)	1.156 (29.36)	1.042 (26.47) 1.036 (26.31)	M28 X 1.0-6g 0.100R			1.297 (32.94)	1.141 (28.98)	1.156 (29.36)	1.062 (26.97)	
21	1.3750	1.582 (40.18) 1.542 (39.17)	1.250 (31.75)	1.167 (29.64) 1.161 (29.49)	M31 X 1.0-6g 0.100R			1.422 (36.12)	1.266 (32.16)	1.250 (31.75)	1.156 (29.36)	
23	1.5000	1.739 (44.17) 1.699 (43.15)	1.375 (34.92)	1.292 (32.82) 1.286 (32.66)	M34 X 1.0-6g 0.100R	.138-32 UNC	M4X 0.7	1.547 (39.29)	1.375 (34.93)	1.375 (34.92)	1.250 (31.75)	.159 (4.04) .149 (3.78)
25	1.6250	1.884 (47.85) 1.824 (46.33)	1.500 (38.10)	1.417 (35.99) 1.411 (35.84)	M37 X 1.0-6g 0.100R			1.672 (42.47)	1.484 (37.69)	1.500 (38.10)	1.375 (34.92)	

SUPERNINE MULTI-PIN RF CONNECTORS