

2333-2002

Connector Receptacle Pin-Pin

■ 2333-2002-07 Jam-Nut Mount Receptacle

SUPER NINE MULTI-PIN RF CONNECTORS



PART NUMBER

	2333-2002	-07	ME	11RF1	N
Base P/N	2333-2002				
Connector Style	-D0 Wall Mount With Round Holes -07 Jam Nut Mount Receptacle				
Material/ Finish	NF Alum/ Cad/O.D. over Electroless Nickel ZR Alum/ Black Zinc-Nickel ME Alum/ Electroless Nickel Z1 SST/ Passivate ZL SST/ Electro-Deposited Nickel				
Size and Layout	See Contact Arrangements Table				
Polarization	A, B, C, D, E, N = Normal				

SuperNine RF Size 8 Contact Arrangements

Optimized for size 8 BMB contacts								
Cable diameter: .305" Max								
Max Frequency: 18 GHz								
Arrangement No.	9RF5* Shell Sz. 9 • 1 contact	11RF1 Shell Sz. 11 • 1 contact	17RF75 Shell Sz. 17 • 2 contacts	19RF4 Shell Sz. 19 • 4 contacts	21RF75 Shell Sz. 21 • 4 contacts	23RF5 Shell Sz. 23 • 5 contacts	23RF6 Shell Sz. 23 • 6 contacts	25RF8 Shell Sz. 25 • 8 contacts

SuperNine RF Size 12 Contact Arrangements

Optimized for Size #12 SMPM Contacts			
Cable Diameter: .150" Max			
Max Frequency: 40 GHz			
Arrangement No.	17RF6 Shell Sz. 17 • 6 contacts	21RF11 Shell Size 21 • 11 contacts	25RF19 Shell Size 25 • 19 contacts

SuperNine RF Size 16 Contact Arrangements

Optimized for Size #16 SMPS Contacts					
Cable Diameter: .086" Max					
Max Frequency: 65 GHz					
Arrangement No.	11RF2 Shell Sz. 11 • 2 contacts	13RF4 Shell Sz. 13 • 4 contacts	15RF5 Shell Sz. 15 • 5 contacts	17RF8 Shell Sz. 17 • 8 contacts	19RF11 Shell Sz. 19 • 11 contacts

SuperNine RF Size 16 Contact Arrangements

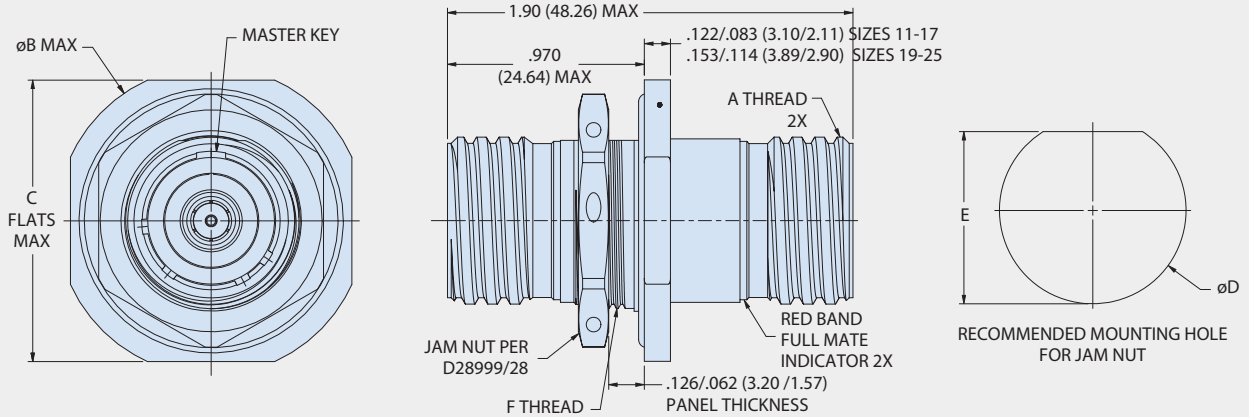
Optimized for Size #16 SMPS Contacts						
Cable Diameter: .086" Max						
Max Frequency: 65 GHz						
Arrangement No.	21RF16 Shell Size 21 • 16 contacts	23RF21 Shell Size 23 • 21 contacts	23RF97 Shell Size 23 • 16 contacts	23RF99 Shell Size 23 • 11 contacts	25RF29 Shell Size 25 • 29 contacts	25RF37 Shell Size 25 • 37 contacts

2333-2002

Connector Receptacle Pin-Pin

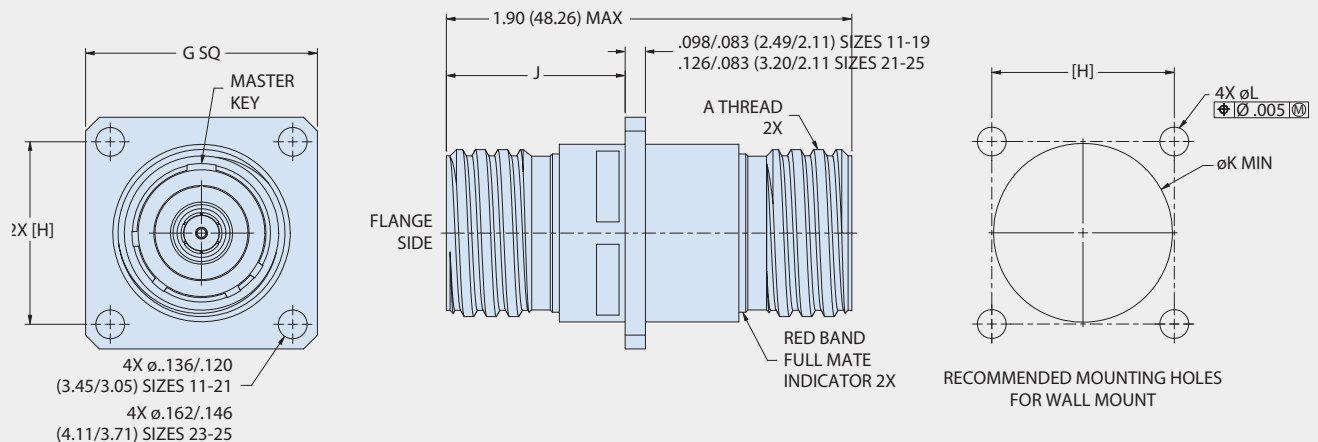
■ 2333-2002-D0 Wall-Mount Receptacle

2333-2002-07 JAM-NUT MOUNT RECEPTACLE



Shell Size	A Thread	ØB	C	F Thread	ØD	E
11	.750-1P-.3L-TS-2A	1.375 (34.92)	1.252 (31.80)	M20 X 1-6g-100R	.835/.825 (21.21/ 20.96)	.771/.761 (19.58/ 19.33)
17	1.1875-1P-.3L-TS-2A	1.752 (44.50)	1.626 (41.30)	M32 X 1-6g-100R	1.270/1.260 (32.26/ 32.00)	1.210/1.200 (30.73/ 30.48)
19	1.250-1P-.3L-TS-2A	1.937 (49.20)	1.811 (46.00)	M35 X 1-6g-100R	1.395/1.385 (35.43/ 35.18)	1.335/1.325 (33.91/ 33.65)
21	1.375-1P-.3L-TS-2A	2.063 (52.40)	1.937 (49.20)	M38 X 1-6g-100R	1.520/1.510 (38.61/ 38.35)	1.460/1.450 (37.08/ 36.83)
23	1.500-1P-.3L-TS-2A	2.189 (55.60)	2.063 (52.40)	M41 X 1-6g-100R	1.645/1.635 (41.78/ 41.53)	1.585/1.575 (40.26/ 40.00)
25	1.625-1P-.3L-TS-2A	2.311 (58.70)	2.189 (55.60)	M44 X 1-6g-100R	1.770/1.760 (44.96/ 44.70)	1.710/1.700 (43.43/ 43.18)

2333-2002-D0 WALL-MOUNT RECEPTACLE



Shell Size	A Thread	G SQ	H BSC	J	øK	øL
11	.750-1P-.3L-TS-2A	1.043/1.019 (26.49/ 25.88)	0.812 (20.62)	.820/.771 (20.83/ 19.58)	0.796 (20.22)	.133/.123 (3.38/ 3.12)
17	1.1875-1P-.3L-TS-2A	1.323/1.299 (33.60/ 32.99)	1.062 (26.97)	.820/.771 (20.83/ 19.58)	1.219 (30.96)	.133/.123 (3.38/ 3.12)
19	1.250-1P-.3L-TS-2A	1.449/1.425 (36.80/ 36.20)	1.156 (29.36)	.820/.771 (20.83/ 19.58)	1.297 (32.94)	.133/.123 (3.38/ 3.12)
21	1.375-1P-.3L-TS-2A	1.575/1.551 (40.00/ 39.40)	1.250 (31.75)	.790/.741 (20.07/ 18.82)	1.422 (36.12)	.133/.123 (3.38/ 3.12)
23	1.500-1P-.3L-TS-2A	1.701/1.677 (43.21/ 42.60)	1.375 (34.92)	.790/.741 (20.07/ 18.82)	1.547 (39.29)	.159/.149 (4.04/ 3.78)
25	1.625-1P-.3L-TS-2A	1.823/1.799 (46.30/ 45.69)	1.500 (38.10)	.790/.741 (20.07/ 18.82)	1.672 (42.47)	.155/.145 (3.94/ 3.68)