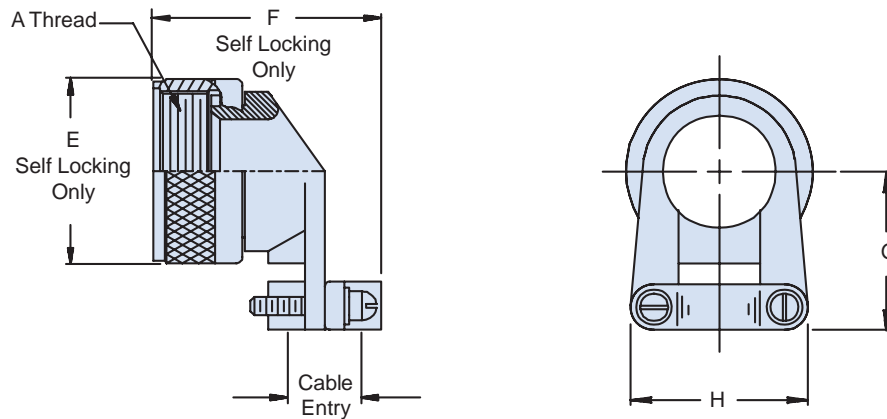
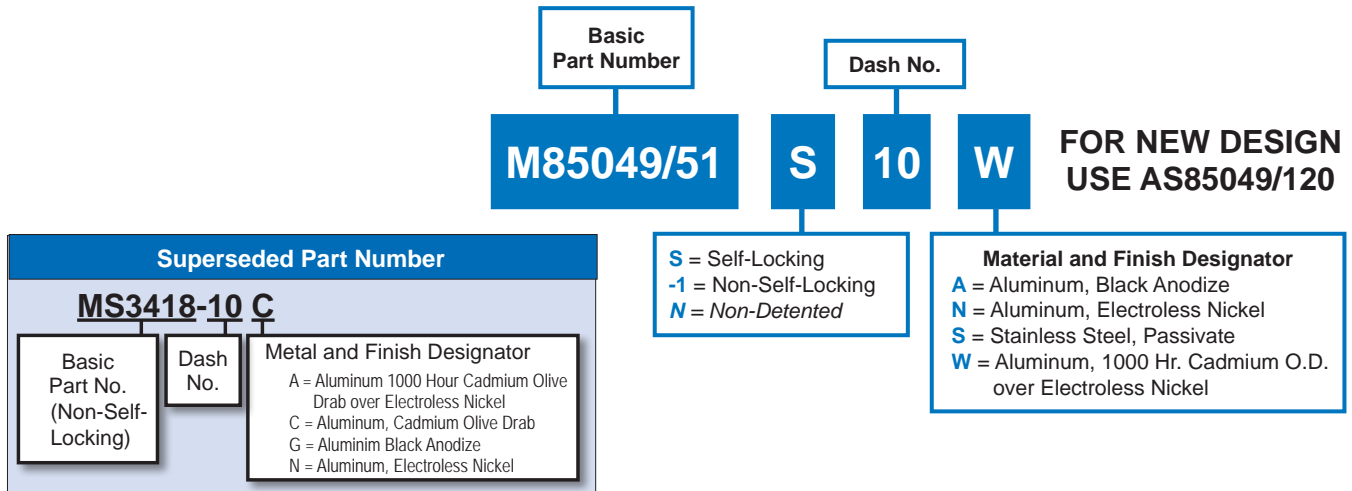


# BACKSHELLS AND ACCESSORIES FOR AS81703 SERIES 3 TYPE CONNECTORS



## 90° Strain Relief

### AS85049/51



**TABLE I: Shell Size, Cable Entry and Backshell Dimensions**

Dash No.	Shell Size	A Thread Class 2B	Ø E Max Self-Locking		F Max Self-Locking		G		H Max	Cable Entry	
							±.062	(1.6)		Min	Max
3*	3	.562 - 24 UNEF	-	-	-	-	.777	(19.7)	.782	(19.9)	.125 (3.2) .204 (5.2)
12	7	.750 - 20 UNEF	1.135	(28.8)	1.532	(38.9)	.867	(22.0)	.968	(24.6)	.291 (7.4) .416 (10.6)
14	12	.875 - 20 UNEF	1.260	(32.0)	1.592	(40.4)	.930	(23.6)	1.003	(25.5)	.351 (8.9) .476 (12.1)
16	19	1.000 - 20 UNEF	1.385	(35.2)	1.741	(44.2)	.994	(25.2)	1.061	(26.9)	.501 (12.7) .626 (15.9)
18	27	1.062 - 18 UNEF	1.510	(38.4)	1.853	(47.1)	1.171	(29.7)	1.394	(35.4)	.518 (13.2) .706 (17.9)
20	37	1.188 - 18 UNEF	1.635	(41.5)	1.978	(50.2)	1.234	(31.2)	1.466	(37.2)	.581 (14.8) .831 (21.1)
61*	61	1.500 - 18 UNEF	-	-	-	-	1.388	(35.3)	1.775	(45.1)	.706 (17.9) 1.081 (27.5)

\* Not Available in Self Locking

### NOTES

1. Cable Entry is defined as the accommodation entry for the wire bundle or cable.
2. Dimensions are not intended for inspection criteria.
3. For complete dimensions, see the applicable Military Specification.