



Sav-Con[®] connector savers

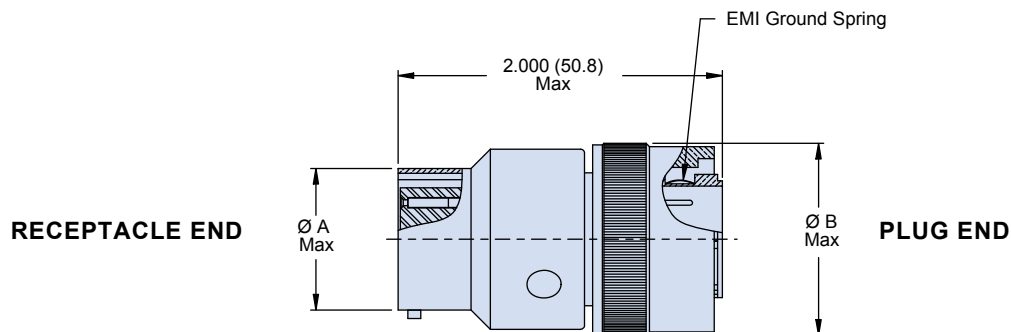
MIL-DTL-26482 Series II

240-264A Bayonet Coupling



240-264A SERIES II FILTER CONNECTOR ADAPTER WITH BAYONET COUPLING

How To Order									
Sample Part Number	240-264	A	ME	16-26	PS	P	A	N	N
Filter Connector	240-264								
Shell Style	A = Connector Adapter								
Finish	See Table I								
Shell Size - Insert Arrangement	See Table II								
Contact Gender	PS = Pins, Plug Side SP = Sockets, Plug Side (See Note 2)								
Filter Type	P = Pi Circuit C = C Circuit (See Note 1)								
Capacitance	See Table IV								
Flange Mounting Style	N = Not Applicable								
Alternate Insert Position	W, X, Y, Z, N = Normal; See Table III								



NOTES

1. Other filter styles (C-L, L-C, Unbalanced Pi, Multi-Stage, Multi-Value) are available, please consult the factory.
2. Please consult the factory for Pin/Pin and/or Socket/Socket contact arrangements.

Dimensions		
Shell Size	ØA Max	ØB Max
8	.474 (12.0)	.784 (19.9)
10	.591 (15.0)	.926 (23.5)
12	.751 (19.1)	1.043 (26.5)
14	.876 (22.3)	1.183 (30.0)
16	1.001 (25.4)	1.305 (33.1)
18	1.126 (28.6)	1.391 (35.3)
20	1.251 (31.8)	1.531 (38.9)
22	1.376 (35.0)	1.656 (42.1)
24	1.501 (38.1)	1.777 (45.1)



Sav-Con[®] connector savers

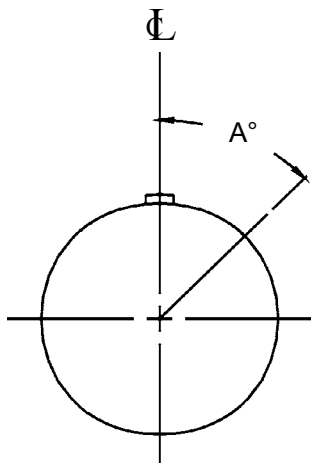
MIL-DTL-26482 Series I and II

Reference Information



Table I: Material and Finish

Plating Code	Material	Finish
M	Aluminum	Electroless Nickel
B		Cad Plate, Olive Drab
NF		Cadmium Plate Olive Drab over Electroless Nickel
NC		Zinc-Cobalt
ZN		Olive Drab Zinc-Nickel
MT		Ni-PTFE 1000 Hour Grey™ (Nickel Fluorocarbon Polymer)
ZR		Zinc Nickel, Black
ME		Electroless Nickel (RoHS)
ZL	Stainless Steel	Electro-Deposited Nickel



**FACE VIEW
RECEPTACLE**

To avoid cross-plugging problems in applications requiring the use of more than one connector of the same size and arrangement, alternate positions are available.

In alternate positions, the pin insert rotates clockwise the same number of degrees relative to the center line of the master key or keyway. The socket insert would be rotated counter-clockwise the same number of degrees in respect to the normal shell key.

Table II: Insert Arrangement and Alternate Positioning

Shell Size Desig.	Insert Arrangement Dash No	Contact Size: Quantity			Alternate Insert Positions			
		20	16	12	A Degrees			
					W	X	Y	Z
8	8-2	2			58	122	-	-
	8-3	3			60	210	-	-
	8-4	4			45	-	-	-
	8-33	3			90	-	-	-
	8-98	3			-	-	-	-
10	10-6	6			90	-	-	-
	10-98	6			90	180	240	270
12	12-3		3		-	-	180	-
	12-4		4		38	-	-	-
	12-8	8			90	112	203	292
	12-10	10			60	155	270	295
14	12-14	14			60	155	270	295
	14-4			4	45	-	-	-
	14-5		5		40	92	184	273
	14-9	5		4	15	90	180	240
	14-12	8	4		43	90	-	-
	14-15	14	1		17	110	155	234
	14-18	18			15	90	180	270
	14-19	19			30	165	315	-
16	14-22	1		4	45	-	-	-
	16-8		8		54	152	180	331
	16-14	8		6	25	78	180	240
	16-23	22	1		158	270	-	-
	16-26	26			60	-	275	338
18	16-99	21	2		66	156	223	340
	18-11		11		62	119	241	340
	18-30	29	1		180	193	285	350
	18-32	32			85	138	222	265
20	18-85	5		8	45	90	180	240
	20-16		16		238	318	333	347
	20-24	24			70	145	215	290
	20-25	25			72	144	216	288
	20-27	27			72	144	216	288
	20-39	37	2		63	144	252	333
	20-41	41			45	126	225	-
	20-90	3		12	18	60	240	270
22	22-12			12	-	-	-	-
	22-19			19	15	90	-	-
	22-21		21		16	135	175	349
	22-32	32			72	145	215	288
	22-34	34			62	142	218	298
	22-36	36			72	144	216	288
	22-37	31	6		90	180	270	-
	22-41	27	14		39	135	264	-
	22-55	55			30	142	226	314
	22-95	26		6	26	180	266	-
24	24-19			19	30	165	315	-
	24-27	11		16	45	110	140	225
	24-31		31		90	225	255	-
	24-61	61			90	180	270	324

Table IV: Capacitor Array Code Capacitance Range for Filtered connectors

Class	Pi - Circuit (pF)	C - Circuit (pF)
X*	160,000 - 240,000	80,000 - 120,000
Y*	80,000 - 120,000	40,000 - 60,000
Z*	60,000 - 90,000	30,000 - 45,000
A	38,000 - 56,000	19,000 - 28,000
B	32,000 - 45,000	16,000 - 22,500
C	18,000 - 33,000	9,000 - 16,500
D	8,000 - 12,000	4,000 - 6,000
E	3,300 - 5,000	1,650 - 2,500
F	800 - 1,300	400 - 650
G	400 - 600	200 - 300
J	70-120	35-60

* Filter Classes X, Y and Z are 250 VDC.
All others are 500 VDC