



Sav-Con® connector savers

MIL-DTL-28840

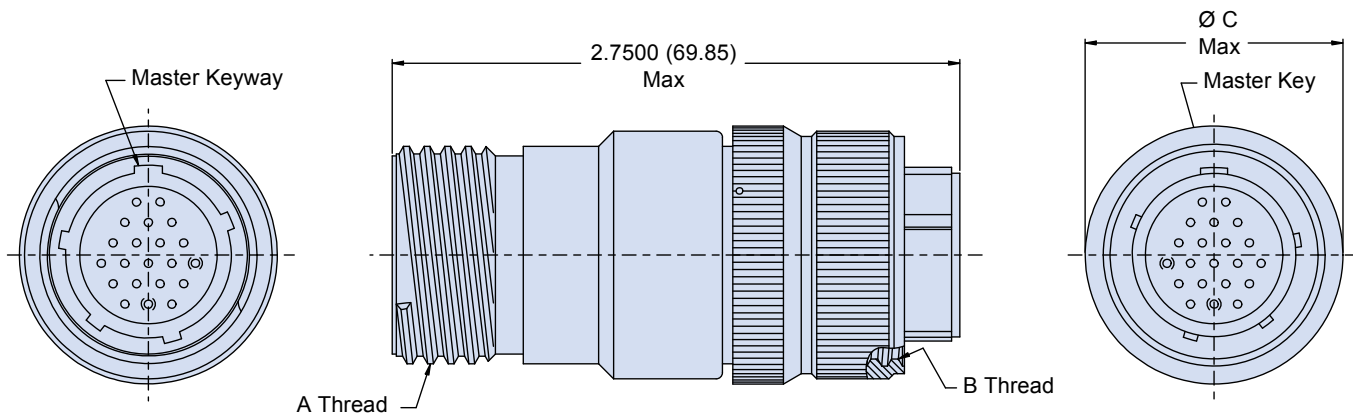
240-288A Threaded Coupling



240-288A FILTER CONNECTOR ADAPTER WITH THREADED COUPLING

How To Order									
Sample Part Number	240-288	A	ME	19-1	PS	P	A	N	1
Filter Connector	240-288								
Shell Style	A = Connector Adapter								
Connector Class	See Table I								
Insert Arrangement	See Table II								
Contact Gender	PS = Pins, Plug Side SP = Sockets, Plug Side								
Filter Type	P = Pi Circuit C = C Circuit (See Note 1)								
Capacitance	See Table IV								
Flange Mounting Style	N = Not Applicable								
Alternate Key Position	1, 2, 3, 4, 5, 6 (See page B-107)								

B



Dimensions			
Shell Size	A Thread Class 2A	B Thread Class 2B	Ø C Max
11	.750-.1P-.2L-DS	.750-.1P-.2L-DS	1.028 (26.11)
13	.875-.1P-.2L-DS	.875-.1P-.2L-DS	1.141 (28.98)
15	1.062-.1P-.2L-DS	1.062-.1P-.2L-DS	1.263 (32.08)
17	1.125-.1P-.2L-DS	1.125-.1P-.2L-DS	1.387 (35.23)
19	1.312-.1P-.2L-DS	1.312-.1P-.2L-DS	1.513 (38.43)
23	1.500-.1P-.2L-DS	1.500-.1P-.2L-DS	1.703 (43.26)
25	1.625-.1P-.2L-DS	1.625-.1P-.2L-DS	1.825 (46.36)
29	1.812-.1P-.2L-DS	1.812-.1P-.2L-DS	2.143 (54.43)
33	2.000-.1P-.2L-DS	2.000-.1P-.2L-DS	2.329 (59.16)

NOTES

1. Other filter styles (C-L, L-C, Unbalanced Pi, Multi-Stage, Multi-Value) are available, please consult the factory.
2. Please consult the factory for Pin/Pin and/or Socket/Socket contact arrangements.



Sav-Con[®] connector savers

MIL-DTL-28840

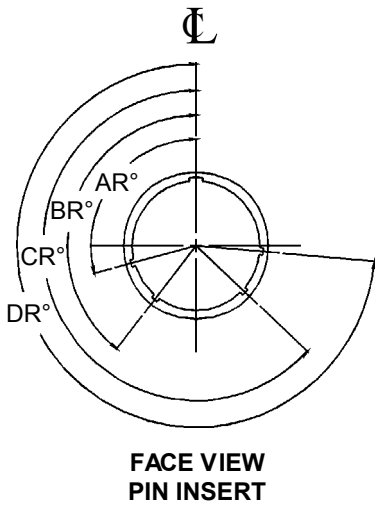
Reference Information



Plating Code	Material	Finish
M	Aluminum	Electroless Nickel
B		Cad Plate, Olive Drab
NF		Cadmium Plate Olive Drab over Electroless Nickel
NC		Zinc-Cobalt
ZN		Olive Drab Zinc-Nickel
MT		Ni-PTFE 1000 Hour Grey™ (Nickel Fluorocarbon Polymer)
ZR		Zinc Nickel, Black
ME		Electroless Nickel (RoHS)
ZL	Stainless Steel	Electro-Deposited Nickel

Shell Size Desig.	Shell Size Ref	Insert Arrangement Dash No.	Contact Size 20: Quantity
A	11	A-1	7
B	13	B-1	12
C	15	C-1	21
D	17	D-1	31
E	19	E-1	42
F	23	F-1	64
G	25	G-1	92
H	29	H-1	121
J	33	J-1	155

B



Shell Size Desig.	Shell Size Ref	Key and Keyway Arr.	AR°	BR°	CR°	DR°
A B	11 13	1	95	141	208	236
		2	113	156	182	292
		3	90	145	195	252
		4	53	156	220	255
		5	119	146	176	298
		6	51	141	184	242
C D	15 17	1	80	142	196	293
		2	135	170	200	310
		3	49	169	200	244
		4	66	140	200	257
		5	62	145	180	280
		6	79	153	197	272
E F G H J	19 23 25 29 33	1	80	142	196	293
		2	135	170	200	310
		3	49	169	200	244
		4	66	140	200	257
		5	62	145	180	280
		6	79	153	197	272

Class	Pi - Circuit (pF)	C - Circuit (pF)
X*	160,000 - 240,000	80,000 - 120,000
Y*	80,000 - 120,000	40,000 - 60,000
Z*	60,000 - 90,000	30,000 - 45,000
A	38,000 - 56,000	19,000 - 28,000
B	32,000 - 45,000	16,000 - 22,500
C	18,000 - 33,000	9,000 - 16,500
D	8,000 - 12,000	4,000 - 6,000
E	3,300 - 5,000	1,650 - 2,500
F	800 - 1,300	400 - 650
G	400 - 600	200 - 300
J	70-120	35-60

* Filter Classes X, Y and Z are 250 VDC.
All others are 500 VDC