



Sav-Con[®] connector savers

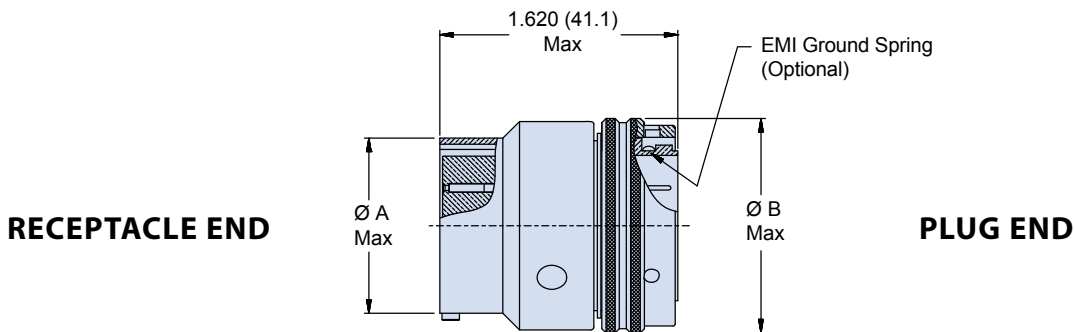
MIL-DTL-38999 Series II

240-382A Filter Adapter



240-382A FILTER CONNECTOR ADAPTER WITH BAYONET COUPLING

How To Order									
Sample Part Number	240-382	A	ME	14-35	PS	P	A	N	U
Filter Connector	240-382								
Shell Style	A = Connector Adapter								
Connector Class	See Table I								
Shell Size - Insert Arrangement	See Table II								
Contact Gender	PS = Pins, Plug Side SP = Sockets, Plug Side (See Note 2)								
Filter Type	P = Pi Circuit C = C Circuit (See Note 1)								
Capacitance	See Capacitance Table								
Flange Mounting Style	N = Not Applicable								
Alternate Key Position	A, B, C, D, N = Normal, U = Universal (See page B-19) (See Note 3)								



NOTES

1. Other filter styles (C-L, L-C, Unbalanced Pi, Multi-Stage, Multi-Value) are available, please consult the factory.
2. Please consult the factory for Pin/ Pin and/or Socket/Socket contact arrangements.
3. Do not mate Universal key position with another Universal

Dimensions		
Shell Size	Ø A Max	Ø B Max
8	.474 (12.0)	.784 (19.9)
10	.591 (15.0)	.894 (22.7)
12	.751 (19.1)	1.031 (26.2)
14	.876 (22.3)	1.156 (29.4)
16	1.001 (25.4)	1.281 (32.5)
18	1.126 (28.6)	1.406 (35.7)
20	1.251 (31.8)	1.531 (38.9)
22	1.376 (35.0)	1.641 (41.7)
24	1.501 (38.1)	1.766 (44.8)



Sav-Con[®] connector savers

MIL-DTL-38999 Series II

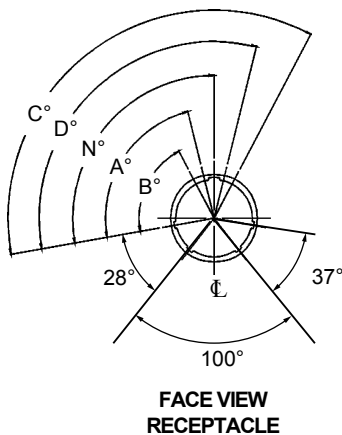
Reference Information



Plating Code	Material	Finish	
M	Aluminum	Electroless Nickel	
B		Cad Plate, Olive Drab	
NF		Cadmium Plate Olive Drab over Electroless Nickel	
NC		Zinc-Cobalt	
ZN		Olive Drab Zinc-Nickel	
MT		Ni-PTFE 1000 Hour Grey™ (Nickel Fluorocarbon Polymer)	
ZR		Zinc Nickel, Black	
ME		Electroless Nickel (RoHS)	
ZL		Stainless Steel	Electro-Deposited Nickel

Shell Size Desig.	Insert Arr. Dash No.	Contact Size and Quantity			
		22	20	16	12
8	8-3		3		
	8-35	6			
	8-97	2	2		
	8-98		3		
10	10-5		5		
	10-35	13			
	10-98		6		
	10-99		7		
12	12-3			3	
	12-4			4	
	12-8		8		
	12-35	22			
	12-98		10		
14	14-5			5	
	14-15		14	1	
	14-18		18		
	14-19		19		
	14-35	37			
	14-97		8	4	
16	16-6				6
	16-8			8	
	16-26		26		
	16-42	42			
	16-35	55			
	16-99		21	2	

Shell Size Desig.	Insert Arr. Dash No.	Contact Size and Quantity			
		22	20	16	12
18	18-11			11	
	18-28		26	2	
	18-30		29	1	
	18-32		32		
	18-35	66			
	18-45	67			
	18-96				9
20	20-16			16	
	20-24		24		
	20-25		25		
	20-35	79			
	20-39		37	2	
	20-41		41		
22	22-21			21	
	22-32		32		
	22-34		34		
	22-35	100			
	22-36		36		
	22-53		53		
	22-55		55		
	22-97			16	
	22-99			11	
24	24-4		48	8	
	24-19				19
	24-24			12	12
	24-29			29	
	24-35	128			
	25-61		61		



NOTE: MASTER KEY AND KEYWAY HAS VARIOUS POSITIONS WHILE MINOR KEYS AND KEYWAYS REMAIN FIXED

Shell Size	N°	A°	B°	C°	D°
8	100	82	-	-	118
10	100	86	72	128	114
12	100	80	68	132	120
14	100	79	66	134	121
16	100	82	70	130	118
18	100	82	70	130	118
20	100	82	70	130	118
22	100	85	74	126	115
24	100	85	74	125	115

Class	Pi - Circuit (pF)	C - Circuit (pF)
X*	160,000 - 240,000	80,000 - 120,000
Y*	80,000 - 120,000	40,000 - 60,000
Z*	60,000 - 90,000	30,000 - 45,000
A	38,000 - 56,000	19,000 - 28,000
B	32,000 - 45,000	16,000 - 22,500
C	18,000 - 33,000	9,000 - 16,500
D	8,000 - 12,000	4,000 - 6,000
E	3,300 - 5,000	1,650 - 2,500
F	800 - 1,300	400 - 650
G	400 - 600	200 - 300
J	70-120	35-60

* Filter Classes X, Y and Z are 250 VDC. All others are 500 VDC