



# Sav-Con<sup>®</sup> connector savers

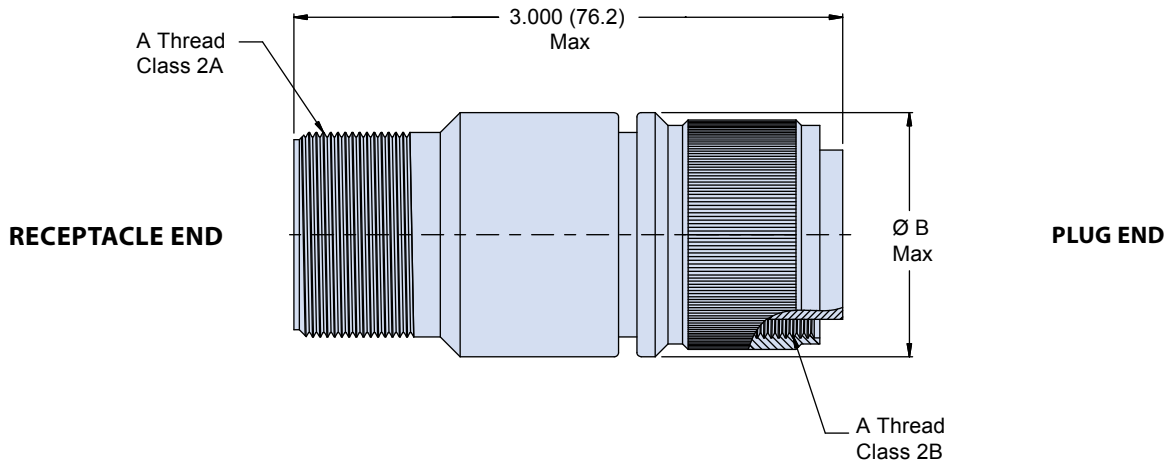
## MIL-DTL-5015

### 240-515A Threaded Coupling



#### 240-515A FILTER CONNECTOR ADAPTER WITH THREADED COUPLING

How To Order	
<b>Sample Part Number</b>	240-515 A ME 36-5 PS C A N N
<b>Filter Connector</b>	240-515
<b>Shell Style</b>	A = Connector Adapter
<b>Finish</b>	ME, NF, ZL; See Table I
<b>Insert Arrangement</b>	See Table II
<b>Contact Gender</b>	PS = Pins, Plug Side SP = Sockets, Plug Side
<b>Filter Type</b>	C = C Circuit (See Note 1)
<b>Capacitance</b>	See Table III
<b>Flange Mounting Style</b>	N = Not Applicable
<b>Alternate Insert Position</b>	Per MIL-STD-1651. W, X, Y, Z, N = Normal; See Table II



Dimensions		
Shell Size	A Thread	Ø B Max
8S	.500-28 UNEF	.844 (21.4)
10SL	.625-24 UNEF	.969 (24.6)
10SL	.625-24 UNEF	.969 (24.6)
12S	.750-20 UNEF	1.062 (27.0)
12	.750-20 UNEF	1.062 (27.0)
14S	.875-20 UNEF	1.156 (29.4)
14	.875-20 UNEF	1.156 (29.4)
16S	1.000-20 UNEF	1.250 (31.8)
16	1.000-20 UNEF	1.250 (31.8)

Dimensions		
Shell Size	A Thread	Ø B Max
18	1.125-18 UNEF	1.344 (34.1)
20	1.250-18 UNEF	1.469 (37.3)
22	1.375-18 UNEF	1.594 (40.5)
24	1.500-18 UNEF	1.719 (43.7)
28	1.750-18 UNS	1.969 (50.0)
32	2.000-18 UNS	2.219 (56.4)
36	2.250-16 UN	2.469 (62.7)
40	2.500-16 UN	2.719 (69.1)

#### NOTES

- Other filter styles (Pi, C-L, L-C, Unbalanced Pi, Multi-Stage, Multi-Value) are available, please consult the factory.
- Please consult the factory for Pin/ Pin and/or Socket/Socket contact arrangements.



# Sav-Con® connector savers

## MIL-DTL-5015

### Reference Information



**Table I: Material and Finish**

Plating Code	Material	Finish	
M	Aluminum	Electroless Nickel	
B		Cad Plate, Olive Drab	
NF		Cadmium Plate Olive Drab over Electroless Nickel	
NC		Zinc-Cobalt	
ZN		Olive Drab Zinc-Nickel	
MT		Ni-PTFE 1000 Hour Grey™ (Nickel Fluorocarbon Polymer)	
ZR		Zinc Nickel, Black	
ME		Electroless Nickel (RoHS)	
ZL		Stainless Steel	Electro-Deposited Nickel

**Table II: Shell Size and Insert Arrangements**

Shell Size Desig.	Insert Arrangement Dash No.	Contact Size: Quantity					Service Rating	Alternate Keyway Positions			
		16	12	8	4	0		W°	X°	Y°	Z°
08S	8S-1	1					A	-	-	-	-
10S	10S-2	1					A	-	-	-	-
10SL	10SL-3	3					A	-	-	-	-
	10SL-4	2					A	-	-	-	-
12S	12S-3	2					A	70	145	215	290
14S	14S-2	4					Inst.	-	120	240	-
	14S-5	5					Inst.	-	110	-	-
	14S-6	6					Inst.	-	-	-	-
	14S-7	3					A	90	180	270	-
	14S-9	2					A	70	145	215	290
16	16-7	2		1			A	80	110	250	280
	16-9	2	2				A	35	110	250	325
	16-10		3				A	90	180	270	-
	16-11		2				A	35	110	250	325
16S	16S-1	7					A	80	-	-	280
	16S-4	2					D	35	110	250	325
	16S-8	5					A	-	170	265	-
18	18-1	10					Inst.	70	145	215	290
	18-4	4					D	35	110	250	325
	18-8	7	1				A	70	-	-	290
	18-9	5	2				Inst.	80	110	250	280
	18-10		4				A	-	120	240	-
	18-11		5				A	-	170	265	-
	18-12	6					A	80	-	-	280
	18-22	3					D	70	145	215	290
20	20-4		4				D	45	110	250	-
	20-7	8					A	80	110	250	280
	20-14		3	2			A	80	110	250	280
	20-15		7				A	80	-	-	280
	20-16	7	2				A	80	110	250	280
	20-18	6	3				A	35	110	250	325
	20-2					1	D	-	-	-	-
	20-27	14					A	35	110	250	325
	20-29	17					A	80	-	-	280
22	22-2			3			D	70	145	215	290
	22-22			4			A	-	110	250	-
	22-5	4	2				D	35	110	250	325
	22-13	1	4				A	35	110	250	325
	22-14	19					A	80	-	-	280
	22-18	8					A	80	110	250	280
	22-19	14					A	80	110	250	280

B



# Sav-Con® connector savers

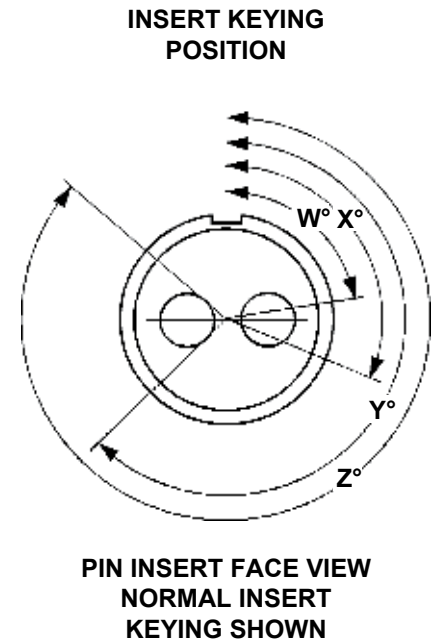
## MIL-DTL-5015

### Reference Information



**Table II: Shell Size and Insert Arrangements**

Shell Size Desig.	Insert Arrangement Dash No.	Contact Size: Quantity					Service Rating	Alternate Keyway Positions			
		16	12	8	4	0		W°	X°	Y°	Z°
24	24-4	3				1	D	80	110	250	280
	24-7	14	2				A	80	110	250	280
	24-10			7			A	80	-	-	280
	24-11		6	3			A	35	110	250	325
	24-20	9	2				D	80	110	250	280
	24-22			4			D	45	110	250	-
	24-28	24					Inst.	80	110	250	280
28	28-2	12	2				D	35	110	250	325
	28-9	6	6				D	80	110	250	280
	28-11	18	4				A	80	110	250	280
	28-12	26					A	90	180	270	-
	28-15	35					A	80	110	250	280
	28-17	15					A	80	110	250	280
	28-21	37					A	80	110	250	280
32	32-1		3			2	D	80	110	250	280
	32-6	16	2	3	2		A	80	110	250	280
	32-7	28					Inst.	80	125	235	280
	32-9	12			2		D	80	110	250	280
	32-15		6			2	D	35	110	250	280
	32-17				4		D	45	110	250	-
36	36-4					3	A	70	145	214	290
	36-5					4	A	-	120	240	-
	36-6				4	2	A	35	110	250	325
	36-7	40	7				A	80	110	250	280
	36-8	46	1				A	80	110	250	280
	36-9	14	14	2	1		A	80	125	235	280
	36-10	48					A	80	125	235	280
	36-14	6	5	5			D	90	180	270	-
	36-15	35					A	60	125	245	305
40	40-10	16		9	4		A	65	125	225	310
	40-56	85					A	72	144	216	288
44	44-1	36	6				D	65	125	225	310
48	48-5	90	9	1			A	65	125	225	310



B

**Table III: Capacitor Array Code Capacitance Range For filtered Connectors**

Class	C - Circuit (pF)
X	80,000 - 120,000
Y	40,000 - 60,000
Z	30,000 - 45,000
A	19,000 - 28,000
B	16,000 - 22,500
C	9,000 - 16,500