



# Sav-Con® connector savers

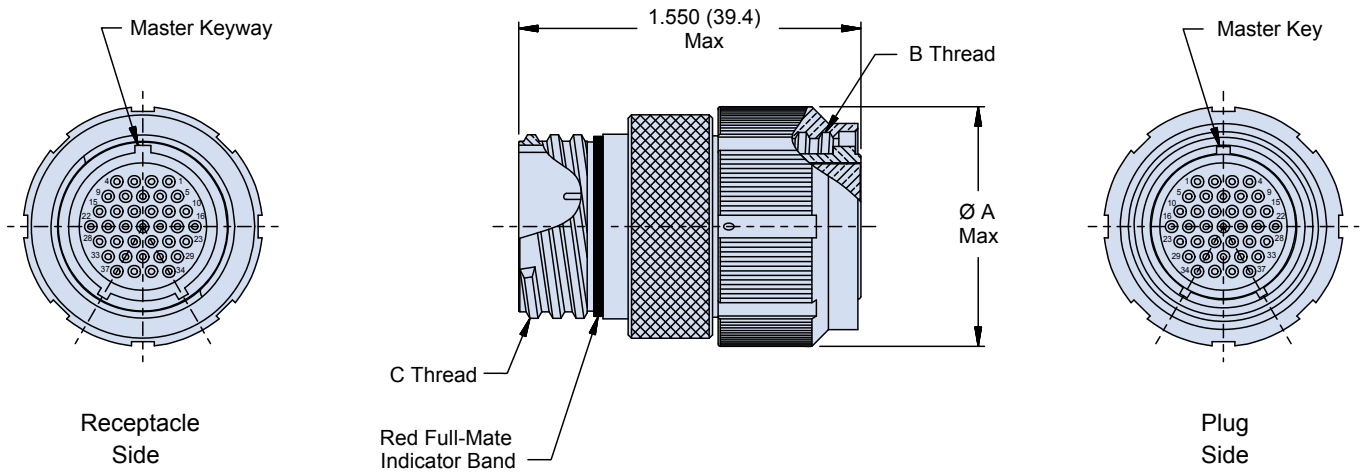
## Mighty Mouse Series 801

### 240-801-AA Filter Connector Adapter



How To Order	
Sample Part Number	240-801-AA M 6-7 PS P A A
Filter Connector	240-801
Shell Style	AA = Adapter
Finish	See Table I
Insert Arrangement	See Table II
Contact Gender	PS = Pins, Plug Side SP = Sockets, Plug Side (See Note 2)
Filter Type	P = Pi Circuit C = C Circuit; See Table IV, See Note 1
Capacitance	See Table II
Alternate Key Position	A, B, C, D, E, F, U A = Normal, U = Universal; See Table III

B



#### NOTES

- Other filter styles (C-L, L-C, Unbalanced Pi, Multi-Stage, Multi-Value) are available, please consult the factory.
- Please consult factory for Pin/Pin and/or Socket/Socket contact arrangements.

Shell Size	Dimensions		
	Ø A Max	B Thread	C Thread
5	.720 (18.3)	.3125-.05P-.1L-DS-2B	.3125-.05P-.1L-DS-2A
6	.800 (20.3)	.3750-.05P-.1L-DS-2B	.3750-.05P-.1L-DS-2A
7	.870 (22.1)	.4375-.05P-.1L-DS-2B	.4375-.05P-.1L-DS-2A
8	1.000 (25.4)	.5000-.05P-.1L-DS-2B	.5000-.05P-.1L-DS-2A
9	1.060 (26.9)	.5625-.05P-.1L-DS-2B	.5625-.05P-.1L-DS-2A
10	1.060 (26.9)	.6250-.05P-.1L-DS-2B	.6250-.05P-.1L-DS-2A
11	1.100 (27.9)	.6875-.05P-.1L-DS-2B	.6875-.05P-.1L-DS-2A
13	1.250 (31.8)	.8125-.1P-.2L-DS-2B	.8125-.1P-.2L-DS-2A
16	1.380 (35.1)	1.0000-.1P-.2L-DS-2B	1.0000-.1P-.2L-DS-2A
17	1.460 (37.1)	1.0625-.1P-.2L-DS-2B	1.0625-.1P-.2L-DS-2A
19	1.600 (40.6)	1.1875-.1P-.2L-DS-2B	1.1875-.1P-.2L-DS-2A
21	1.850 (47.0)	1.3125-.1P-.2L-DS-2B	1.3125-.1P-.2L-DS-2A



# Sav-Con<sup>®</sup> connector savers

## Mighty Mouse Series 801

### Reference Information



**Table I: Material and Finish**

Code	Material	Finish
C	Aluminum	Black Anodize (Non-Conductive) RoHS Compliant
M	Aluminum	Electroless Nickel RoHS Compliant
NF	Aluminum	Cadmium with Olive Drab Chromate
ZN	Aluminum	Zinc-Nickel with Olive Drab Chromate
ZNU	Aluminum	Zinc-Nickel with Black Chromate
MT	Aluminum	Nickel-PTFE RoHS Compliant
Z1	Stainless Steel	Passivated RoHS Compliant

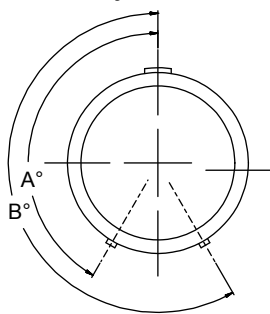
**Table II: Insert Arrangements**

Insert Arr.	No. of Contacts					
	#23	#20	#20HD	#16	#12	#8
5-3	3					
6-1				1		
6-23			3			
6-4	4					
6-6	6					
6-7	7					
7-1					1	
7-25			5			
7-10	10					
8-1						1
8-2				2		
8-200	4	2				
8-28			8			
8-13	13					
9-4				4		
9-200	4			2		
9-201	8	2				
9-210			10			
9-19	19					
10-2					2	
10-5				5		
10-26	26					
10-200	12				1	
10-201	4				2	
10-202	8			2		
10-200	12				1	
11-31	31					
13-2					2	
13-3					3	
13-7				7		
13-220			20			

**Table II: Insert Arrangements**

Insert Arr.	No. of Contacts					
	#23	#20	#20HD	#16	#12	#8
13-37	37					
13-200	6				2	
13-201	10				2	
13-202	20			2		
13-203	12			4		
13-204	12				2	
13-205	4				4	
16-2						2
16-5					5	
16-12				12		
16-235			35			
16-55	55					
16-204	40			2		
16-205	32			4		
16-206	34				2	
16-207	20				4	
16-208	32					1
17-3						3
17-7					7	
17-14				14		
17-241			41			
17-85	85					
17-203	40			4		
17-204	28				4	
17-205	40					1
19-4						4
19-19				19		
19-201	44					2
19-202	12					4
19-255			55			
19-100	100					
21-5						5
21-12					12	
21-22				22		
21-200						
21-269			69			
21-130	130					

**Plug Key Positions**



**Table III: Key Positions**

Key Position	Key Rotation	
	A°	B°
A	150	210
B	75	210
C	95	230
D	140	275
E	75	275
F	95	210

**Table IV: Capacitor Array Code Capacitance Range for Filtered Connectors**

Class	Pi - Circuit (pF)	C - Circuit (pF)
A	38,000 - 56,000	19,000 - 28,000
B	32,000 - 45,000	16,000 - 22,500
C	18,000 - 33,000	9,000 - 16,500
D	8,000 - 12,000	4,000 - 6,000
E	3,300 - 5,000	1,650 - 2,500
F	800 - 1,300	400 - 650
G	400 - 600	200 - 300
J	70 - 120	35 - 60