



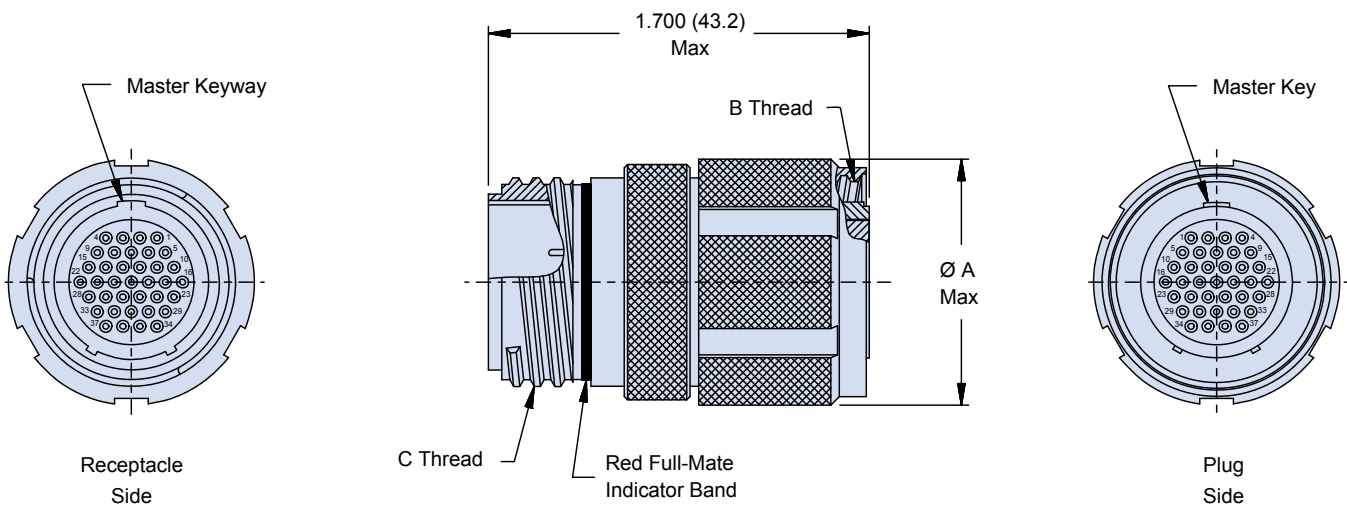
Sav-Con[®] connector savers

Mighty Mouse Series 805

240-805-AA Filter Connector Adapter



How To Order	
Sample Part Number	240-805-AA M 8-7 PS P A A
Filter Connector	240-805
Shell Style	AA = Adapter
Finish	See Table I
Insert Arrangement	See Table II
Contact Gender	PS = Pins, Plug Side SP = Sockets, Plug Side (See Note 2)
Filter Type	P = Pi Circuit C = C Circuit (See Note 1)
Capacitance	See Table II
Alternate Key Position	A, B, C, D, E, F, U A = Normal, U = Universal; See Table III



B

NOTES

- Other filter styles (C-L, L-C, Unbalanced Pi, Multi-Stage, Multi-Value) are available, please consult the factory.
- Please consult factory for Pin/Pin and/or Socket/Socket contact arrangements.

Shell Size	$\varnothing A$ Max	B Thread	C Thread
8	.870 (22.1)	.5000-.1P-.3L-TS-2B	.5000-.1P-.3L-TS-2A
9	.930 (23.6)	.5625-.1P-.3L-TS-2B	.5625-.1P-.3L-TS-2A
10	1.000 (25.4)	.6250-.1P-.3L-TS-2B	.6250-.1P-.3L-TS-2A
11	1.170 (29.7)	.6875-.1P-.3L-TS-2B	.6875-.1P-.3L-TS-2A
12	1.170 (29.7)	.7500-.1P-.3L-TS-2B	.7500-.1P-.3L-TS-2A
13	1.300 (33.0)	.8125-.1P-.3L-TS-2B	.8125-.1P-.3L-TS-2A
15	1.350 (34.3)	.9375-.1P-.3L-TS-2B	.9375-.1P-.3L-TS-2A
18	1.600 (40.6)	1.1250-.1P-.3L-TS-2B	1.1250-.1P-.3L-TS-2A
19	1.600 (40.6)	1.1875-.1P-.3L-TS-2B	1.1875-.1P-.3L-TS-2A
21	1.750 (44.5)	1.3125-.1P-.3L-TS-2B	1.3125-.1P-.3L-TS-2A
23	1.850 (47.0)	1.4375-.1P-.3L-TS-2B	1.4375-.1P-.3L-TS-2A



Sav-Con[®] connector savers

Mighty Mouse Series 805

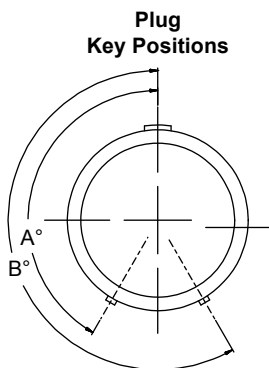
Reference Information



Code	Material	Finish
C	Aluminum	Black Anodize (Non-Conductive) RoHS Compliant
M	Aluminum	Electroless Nickel RoHS Compliant
NF	Aluminum	Cadmium with Olive Drab Chromate
ZN	Aluminum	Zinc-Nickel with Olive Drab Chromate
ZNU	Aluminum	Zinc-Nickel with Black Chromate
MT	Aluminum	Nickel-PTFE RoHS Compliant
Z1	Stainless Steel	Passivated RoHS Compliant

Contact Arr.	No. of Contacts					
	#23	#20	#20HD	#16	#12	#8
8-1				1		
8-23			3			
8-4	4					
8-6	6					
8-7	7					
9-1					1	
9-25			5			
9-10	10					
10-1						1
10-2				2		
10-28			8			
10-13	13					
10-200	4	2				
11-4				4		
11-210			10			
11-19	19					
11-200	4			2		
11-201	8	2				
12-2					2	
12-5				5		
12-26	26					
12-200	12				1	
12-201	4				2	
12-202	8			2		
13-31	31					
15-2					2	
15-3					3	
15-7				7		
15-220			20			
15-37	37					
15-200	6				2	
15-201	10				2	
15-202	20			2		

Contact Arr.	No. of Contacts					
	#23	#20	#20HD	#16	#12	#8
15-203	12			4		
15-204	12				2	
15-205	4				4	
18-2						2
18-5					5	
18-12				12		
18-235			35			
18-55	55					
18-204	40			2		
18-205	32			4		
18-206	34			2		
18-207	20			4		
18-208	32					1
19-3						3
19-7					7	
19-14				14		
19-241			41			
19-85	85					
19-203	40			4		
19-204	28				4	
19-205	40					1
21-4						4
21-19				19		
21-255			55			
21-100	100					
21-201	44					2
21-202	12					4
23-5						5
23-12					12	
23-22				22		
23-269			69			
23-130	130					
23-200	28					4



Key Position	Key Rotation	
	A °	B °
Normal (A)	150	210
B	75	210
C	95	230
D	140	275
E	75	275
F	95	210
Universal (U)*	-	-

Class	Pi - Circuit (pF)	C - Circuit (pF)
A	38,000 - 56,000	19,000 - 28,000
B	32,000 - 45,000	16,000 - 22,500
C	18,000 - 33,000	9,000 - 16,500
D	8,000 - 12,000	4,000 - 6,000
E	3,300 - 5,000	1,650 - 2,500
F	800 - 1,300	400 - 650
G	400 - 600	200 - 300
J	70 - 120	35 - 60

* Universal keyway is not intended for field use

