



Sav-Con[®] connector savers

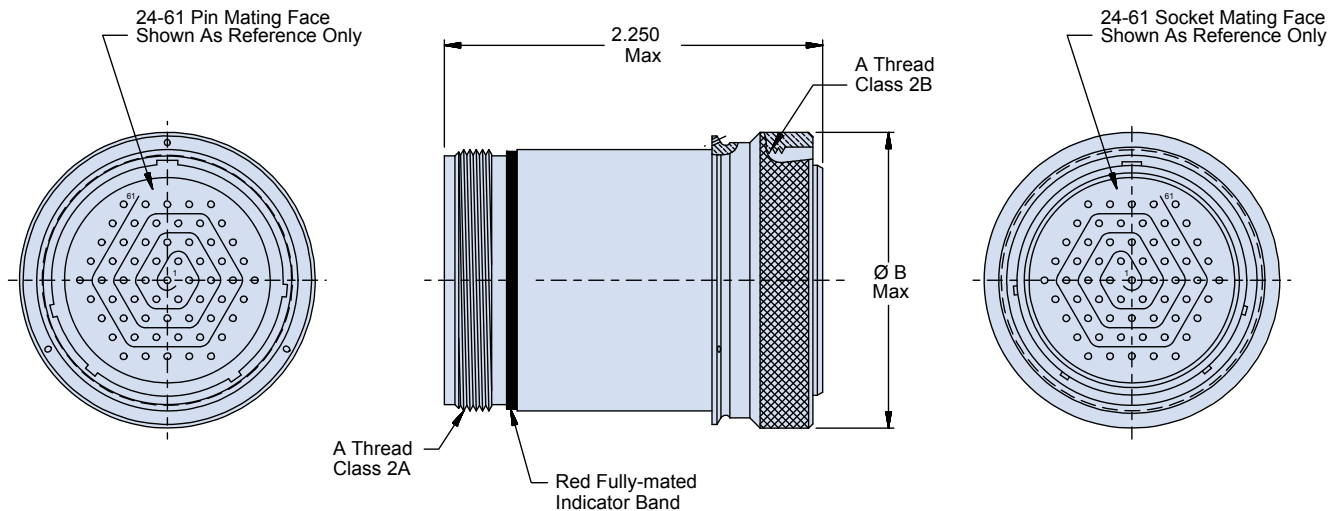
MIL-DTL-83723 Series III

240-837A Threaded Coupling



240-837A FILTERED CONNECTOR ADAPTER WITH THREADED COUPLING

| How To Order | |
|---------------------------|---|
| Sample Part Number | 240-837 A ME 24-61 PS P A N N |
| Filter Connector | 240-837 |
| Shell Style | A = Connector Adapter |
| Finish | See Table I |
| Insert Arrangement | See Table II |
| Contact Gender | PS = Pins, Plug Side SP = Sockets, Plug Side (See Note 2) |
| Filter Type | P = Pi Circuit C = C Circuit (See Note 1) |
| Capacitance | See Table IV |
| Flange Mounting Style | N = Not Applicable |
| Alternate Insert Position | 1, 2, 3, 4, 5, 6, 7, 8, 9, Y, N = Normal (See Table III) |



| Shell Size | A Thread | Ø B |
|------------|---------------|--------------|
| 8 | .562-24 UNEF | .776 (19.7) |
| 10 | .688-24 UNEF | .906 (23.0) |
| 12 | .875-20 UNEF | 1.078 (27.4) |
| 14 | .938-20 UNEF | 1.141 (29.0) |
| 16 | 1.062-18 UNEF | 1.266 (32.2) |
| 18 | 1.188-18 UNEF | 1.375 (34.9) |
| 20 | 1.312-18 UNEF | 1.510 (38.4) |
| 22 | 1.438-18 UNEF | 1.625 (41.3) |
| 24 | 1.562-18 UNEF | 1.760 (44.7) |

NOTES

- Other filter styles (C-L, L-C, Unbalanced Pi, Multi-Stage, Multi-Value) are available, please consult the factory.
- Please consult the factory for Pin/Pin and/or Socket/Socket contact arrangements.





Sav-Con® connector savers

MIL-DTL-83723 Series III

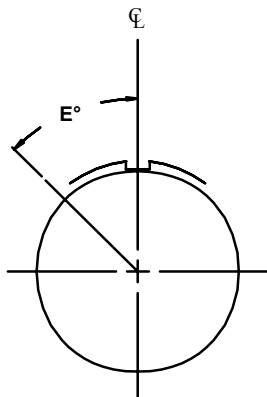
Reference Information



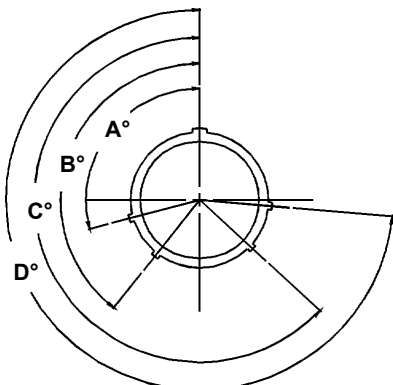
| Plating Code | Material | Finish | |
|--------------|----------|---|--------------------------|
| M | Aluminum | Electroless Nickel | |
| B | | Cad Plate, Olive Drab | |
| NF | | Cadmium Plate Olive Drab over Electroless Nickel | |
| NC | | Zinc-Cobalt | |
| ZN | | Olive Drab Zinc-Nickel | |
| MT | | Ni-PTFE 1000 Hour Grey™ (Nickel Fluorocarbon Polymer) | |
| ZR | | Zinc Nickel, Black | |
| ME | | Electroless Nickel (RoHS) | |
| ZL | | Stainless Steel | Electro-Deposited Nickel |

| Shell Size Desig. | Insert Arrangement Dash No. | Contact Size: Quantity | | |
|-------------------|-----------------------------|------------------------|----|----|
| | | 20 | 16 | 12 |
| 08 | 08-02 | 2 | | |
| | 08-03 | 3 | | |
| | 08-98 | 3 | | |
| 10 | 10-2 | 2 | | |
| | 10-5 | 5 | | |
| | 10-6 | 6 | | |
| | 10-20 | 2 | | |
| 12 | 12-03 | | 3 | |
| | 12-12 | 12 | | |
| 14 | 14-04 | | | 4 |
| | 14-07 | | 7 | |
| | 14-12 | 9 | 3 | |
| | 14-15 | 15 | | |
| 16 | 16-10 | | 10 | |
| | 16-24 | 24 | | |

| Shell Size Desig. | Insert Arrangement Dash No. | Contact Size: Quantity | | |
|-------------------|-----------------------------|------------------------|----|----|
| | | 20 | 16 | 12 |
| 18 | 18-08 | | | 8 |
| | 18-14 | | 14 | |
| | 18-31 | 31 | | |
| 20 | 20-16 | | 16 | |
| | 20-25 | 19 | | 6 |
| | 20-28 | 24 | | 4 |
| | 20-39 | 37 | 2 | |
| | 20-41 | 41 | | |
| 22 | 22-12 | | | 12 |
| | 22-19 | | 19 | |
| | 22-32 | 26 | | 6 |
| | 22-39 | 27 | 12 | |
| | 22-55 | 55 | | |
| 24 | 24-19 | | | 19 |
| | 24-43 | 23 | 20 | |
| | 24-57 | 55 | | 2 |
| | 24-61 | 61 | | |



ROTATED PIN INSERT POSITION 1 THRU 5



FACE VIEW RECEPTACLE POSITION N, 6 THRU 10

| Alternate Key Position | Size 8 | | | | Size 10 | | | | Sizes 12 - 24 | | | | Insert Position |
|------------------------|--------|-----|-----|-----|---------|-----|-----|-----|---------------|-----|-----|-----|-----------------|
| | A° | B° | C° | D° | A° | B° | C° | D° | A° | B° | C° | D° | |
| N = Normal | 105 | 140 | 210 | 265 | 105 | 140 | 215 | 265 | 105 | 140 | 215 | 265 | 0 |
| 1 | - | - | - | - | 105 | 140 | 215 | 265 | 105 | 140 | 215 | 265 | 10 |
| 2 | - | - | - | - | 105 | 140 | 215 | 265 | 105 | 140 | 215 | 265 | 20 |
| 3 | - | - | - | - | 105 | 140 | 215 | 265 | 105 | 140 | 215 | 265 | 30 |
| 4 | - | - | - | - | 105 | 140 | 215 | 265 | 105 | 140 | 215 | 265 | 40 |
| 5 | - | - | - | - | 105 | 140 | 215 | 265 | 105 | 140 | 215 | 265 | 50 |
| 6 | 102 | 132 | 248 | 320 | 102 | 132 | 248 | 320 | 18 | 149 | 192 | 259 | 0 |
| 7 | 80 | 118 | 230 | 312 | 80 | 118 | 230 | 312 | 92 | 152 | 222 | 342 | 0 |
| 8 | 35 | 140 | 205 | 275 | 35 | 140 | 205 | 275 | 84 | 152 | 204 | 334 | 0 |
| 9 | 64 | 155 | 234 | 304 | 64 | 155 | 234 | 304 | 24 | 135 | 199 | 240 | 0 |
| 10 | - | - | - | - | 25 | 115 | 220 | 270 | 98 | 152 | 268 | 336 | 0 |

In alternate positions, the pin insert rotates clockwise while the socket insert rotates counterclockwise the same number of degrees relative to the center line of the master key or keyway.

| Class | Pi - Circuit (pF) | C - Circuit (pF) |
|-------|-------------------|------------------|
| X* | 160,000 - 240,000 | 80,000 - 120,000 |
| Y* | 80,000 - 120,000 | 40,000 - 60,000 |
| Z* | 60,000 - 90,000 | 30,000 - 45,000 |
| A | 38,000 - 56,000 | 19,000 - 28,000 |
| B | 32,000 - 45,000 | 16,000 - 22,500 |
| C | 18,000 - 33,000 | 9,000 - 16,500 |

| Class | Pi - Circuit (pF) | C - Circuit (pF) |
|-------|-------------------|------------------|
| D | 8,000 - 12,000 | 4,000 - 6,000 |
| E | 3,300 - 5,000 | 1,650 - 2,500 |
| F | 800 - 1,300 | 400 - 650 |
| G | 400 - 600 | 200 - 300 |
| J | 70-120 | 35-60 |

* Filter Classes X, Y and Z are 250 VDC. All others are 500 VDC