



Sav-Con[®] connector savers

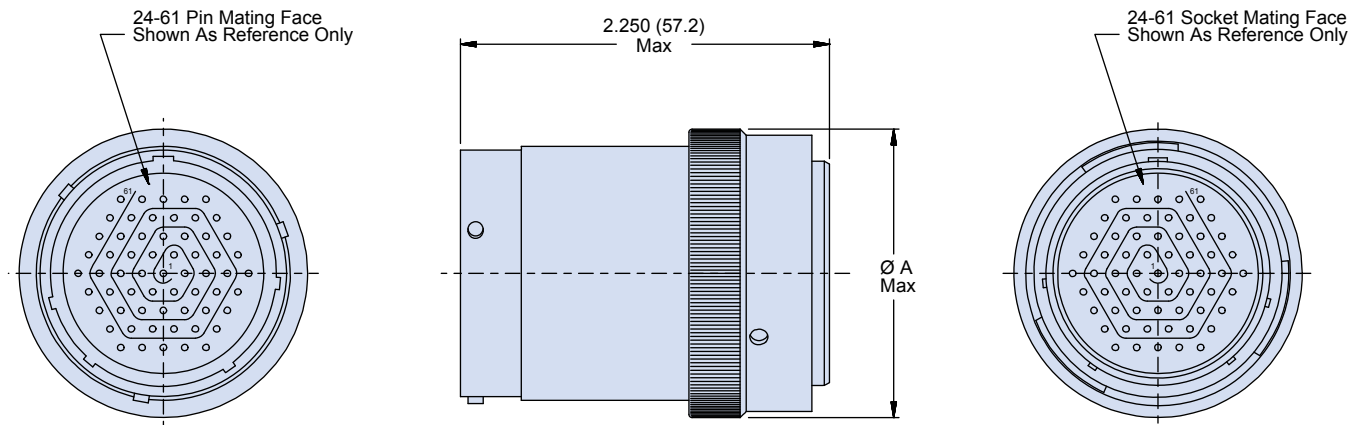
MIL-DTL-83723 Series III

240-838A Bayonet Coupling



240-838A FILTER CONNECTOR ADAPTER WITH BAYONET COUPLING

		How To Order								
Sample Part Number		240-838	A	ME	24-61	PS	P	A	N	N
Filter Connector	240-838									
Shell Style	A = Bayonet Coupling									
Finish	See Table I									
Insert Arrangement	See Table II									
Contact Gender	PS = Pins, Plug Side SP = Sockets, Plug Side (See Note 2)									
Filter Type	P = Pi Circuit C = C Circuit (See Note 1)									
Capacitance	See Table IV									
Flange Mounting Style	N = Not Applicable									
Alternate Insert Position	1, 2, 3, 4, 5, 6, 7, 8, 9, Y, N = Normal (See Table III)									



Dimensions	
Shell Size	Ø A Max
8	.776 (19.7)
10	.906 (23.0)
12	1.708 (43.4)
14	1.141 (29.0)
16	1.266 (32.2)
18	1.375 (34.9)
20	1.510 (38.4)
22	1.625 (41.3)
24	1.760 (44.7)

NOTES

1. Other filter styles (C-L, L-C, Unbalanced Pi, Multi-Stage, Multi-Value) are available, please consult the factory.
2. Please consult the factory for Pin/Pin and/or Socket/Socket contact arrangements.



Sav-Con[®] connector savers

MIL-DTL-83723 Series III

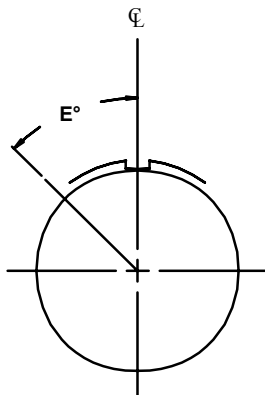
Reference Information



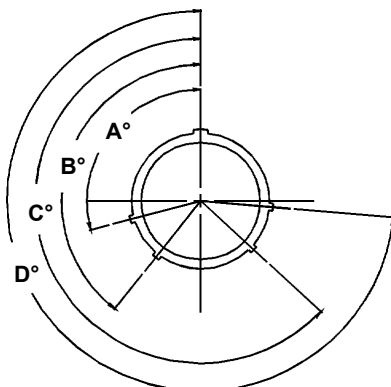
Plating Code	Material	Finish	
M	Aluminum	Electroless Nickel	
B		Cad Plate, Olive Drab	
NF		Cadmium Plate Olive Drab over Electroless Nickel	
NC		Zinc-Cobalt	
ZN		Olive Drab Zinc-Nickel	
MT		Ni-PTFE 1000 Hour Grey™ (Nickel Fluorocarbon Polymer)	
ZR		Zinc Nickel, Black	
ME		Electroless Nickel (RoHS)	
ZL		Stainless Steel	Electro-Deposited Nickel

Shell Size Desig.	Insert Arrangement Dash No.	Contact Size: Quantity		
		20	16	12
08	08-02	2		
	08-03	3		
	08-98	3		
10	10-2	2		
	10-5	5		
	10-6	6		
	10-20	2		
12	12-03		3	
	12-12	12		
14	14-04			4
	14-07		7	
	14-12	9	3	
16	14-15	15		
	16-10		10	
	16-24	24		

Shell Size Desig.	Insert Arrangement Dash No.	Contact Size: Quantity		
		20	16	12
18	18-08			8
	18-14		14	
	18-31	31		
20	20-16		16	
	20-25	19		6
	20-28	24		4
	20-39	37	2	
	20-41	41		
22	22-12			12
	22-19		19	
	22-32	26		6
	22-39	27	12	
	22-55	55		
24	24-19			19
	24-43	23	20	
	24-57	55		2
	24-61	61		



ROTATED PIN INSERT POSITION 1 THRU 5



FACE VIEW RECEPTACLE POSITION N, 6 THRU 10

Alternate Key Position	Size 8				Size 10				Sizes 12 - 24				Insert Position
	A°	B°	C°	D°	A°	B°	C°	D°	A°	B°	C°	D°	
N = Normal	105	140	210	265	105	140	215	265	105	140	215	265	0
1	-	-	-	-	105	140	215	265	105	140	215	265	10
2	-	-	-	-	105	140	215	265	105	140	215	265	20
3	-	-	-	-	105	140	215	265	105	140	215	265	30
4	-	-	-	-	105	140	215	265	105	140	215	265	40
5	-	-	-	-	105	140	215	265	105	140	215	265	50
6	102	132	248	320	102	132	248	320	18	149	192	259	0
7	80	118	230	312	80	118	230	312	92	152	222	342	0
8	35	140	205	275	35	140	205	275	84	152	204	334	0
9	64	155	234	304	64	155	234	304	24	135	199	240	0
10	-	-	-	-	25	115	220	270	98	152	268	336	0

In alternate positions, the pin insert rotates clockwise while the socket insert rotates counterclockwise the same number of degrees relative to the center line of the master key or keyway.

Class	Pi - Circuit (pF)	C - Circuit (pF)
X*	160,000 - 240,000	80,000 - 120,000
Y*	80,000 - 120,000	40,000 - 60,000
Z*	60,000 - 90,000	30,000 - 45,000
A	38,000 - 56,000	19,000 - 28,000
B	32,000 - 45,000	16,000 - 22,500
C	18,000 - 33,000	9,000 - 16,500

Class	Pi - Circuit (pF)	C - Circuit (pF)
D	8,000 - 12,000	4,000 - 6,000
E	3,300 - 5,000	1,650 - 2,500
F	800 - 1,300	400 - 650
G	400 - 600	200 - 300
J	70-120	35-60

* Filter Classes X, Y and Z are 250 VDC. All others are 500 VDC

B