



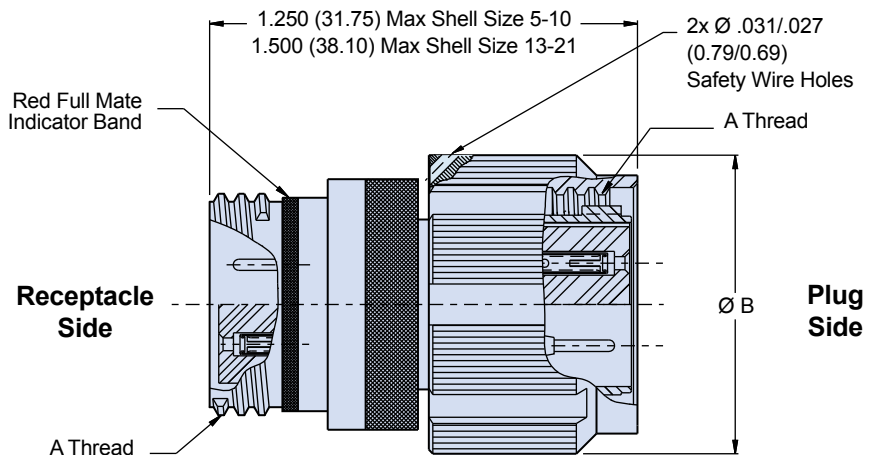
Sav-Con® connector savers



Mighty Mouse Series 801

801-017 Coupling with Double-Start ACME Threads

How To Order						
Sample Part Number		801-017	Z1	13	-37	P A
Series	801-017					
Finish	C = Aluminum / Black Anodize (Non-Conductive) RoHS Compliant M = Aluminum / Electroless Nickel RoHS Compliant NF = Aluminum / Cadmium with Olive Drab Chromate ZN = Aluminum / Zinc-Nickel with Olive Drab Chromate ZNU = Aluminum / Zinc-Nickel with Black Chromate MT = Aluminum / Nickel-PTFE RoHS Compliant Z1 = Stainless Steel / Passivated RoHS Compliant					
Shell Size	See Table II					
Insert Arrangement	See Table II					
Contact Type	P = Pin Contact on Plug Side, Socket Contact on Receptacle Side S = Socket Contact on Plug Side, Pin Contact on Receptacle Side					
Shell Key Position	A = Normal, B, C, D, B, F ; See Table III					



Dimensions			
Shell Size	A Threads	\varnothing B	
		In.	mm.
5	.3125-.05P-.1L-2	.540	13.72
6	.375-.05P-.1L-2	.600	15.24
7	.4375-.05P-.1L-2	.680	17.27
8	.5000-.05P-.1L-2	.750	19.05
9	.5625-.05P-.1L-2	.810	20.57
10	.6250-.05P-.1L-2	.880	22.35
11	.6875-.05P-.1L-2A	.920	23.37
13	.8125-.1P-.2L-2	1.050	26.67
16	1.000-.1P-.2L-2	1.240	31.50
17	1.062-.1P-.2L-2	1.300	33.02
19	1.1875-.1P-.2L-2A	1.400	35.56
21	1.3125-.1p-.2l-2	1.550	39.37

B



Sav-Con[®] connector savers

Mighty Mouse Series 801

Reference Information



Table I: Material and Finish

Code	Material	Finish
C	Aluminum	Black Anodize (Non-Conductive) RoHS Compliant
M	Aluminum	Electroless Nickel RoHS Compliant
NF	Aluminum	Cadmium with Olive Drab Chromate
ZN	Aluminum	Zinc-Nickel with Olive Drab Chromate
ZNU	Aluminum	Zinc-Nickel with Black Chromate
MT	Aluminum	Nickel-PTFE RoHS Compliant
Z1	Stainless Steel	Passivated RoHS Compliant

Table II: Insert Arrangements

Insert Arr.	No. of Contacts					
	#23	#20	#20HD	#16	#12	#8
5-3	3					
6-1				1		
6-23			3			
6-4	4					
6-6	6					
6-7	7					
7-1					1	
7-25			5			
7-10	10					
8-1						1
8-2				2		
8-200	4	2				
8-28			8			
8-13	13					
9-4				4		
9-200	4			2		
9-201	8	2				
9-210			10			
9-19	19					
10-2					2	
10-5				5		
10-26	26					
10-200	12				1	
10-201	4				2	
10-202	8			2		
10-200	12				1	
11-31	31					
13-2					2	
13-3					3	
13-7				7		
13-220			20			

Table II: Insert Arrangements

Insert Arr.	No. of Contacts					
	#23	#20	#20HD	#16	#12	#8
13-37	37					
13-200	6				2	
13-201	10				2	
13-202	20			2		
13-203	12			4		
13-204	12				2	
13-205	4				4	
16-2						2
16-5					5	
16-12				12		
16-235			35			
16-55	55					
16-204	40			2		
16-205	32			4		
16-206	34				2	
16-207	20				4	
16-208	32					1
17-3						3
17-7					7	
17-14				14		
17-241			41			
17-85	85					
17-203	40			4		
17-204	28				4	
17-205	40					1
19-4						4
19-19				19		
19-201	44					2
19-202	12					4
19-255			55			
19-100	100					
21-5						5
21-12					12	
21-22				22		
21-200						
21-269			69			
21-130	130					

Plug Key Positions

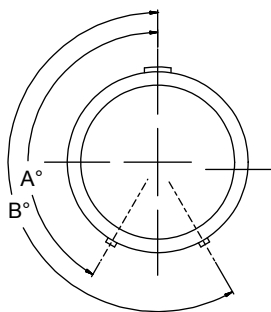


Table III: Key Positions

Key Position	Key Rotation	
	A°	B°
A	150	210
B	75	210
C	95	230
D	140	275
E	75	275
F	95	210

**Table IV: Capacitor Array Code
Capacitance Range for Filtered
Connectors**

Class	Pi - Circuit (pF)	C - Circuit (pF)
A	38,000 - 56,000	19,000 - 28,000
B	32,000 - 45,000	16,000 - 22,500
C	18,000 - 33,000	9,000 - 16,500
D	8,000 - 12,000	4,000 - 6,000
E	3,300 - 5,000	1,650 - 2,500
F	800 - 1,300	400 - 650
G	400 - 600	200 - 300
J	70 - 120	35 - 60