



# Sav-Con<sup>®</sup> connector savers

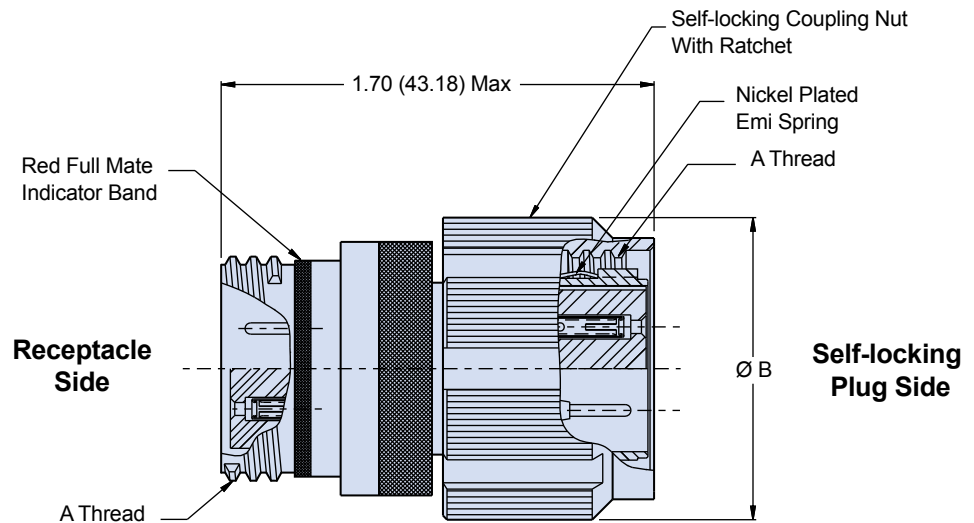


## Mighty Mouse Series 805

### 805-010 Coupling with Triple-Start ACME Threads

| How To Order       |  |    |    |     |   |   |
|--------------------|--|----|----|-----|---|---|
| Sample Part Number | 805-010  | Z1 | 12 | -26 | P | A |
| Series             | 805-010  |    |    |     |   |   |
| Finish             | C = Aluminum / Black Anodize (Non-Conductive) RoHS Compliant<br>M = Aluminum / Electroless Nickel RoHS Compliant<br>NF = Aluminum / Cadmium with Olive Drab Chromate<br>ZN = Aluminum / Zinc-Nickel with Olive Drab Chromate<br>ZNU = Aluminum / Zinc-Nickel with Black Chromate<br>MT = Aluminum / Nickel-PTFE RoHS Compliant<br>Z1 = Stainless Steel / Passivated RoHS Compliant |    |    |     |   |   |
| Shell Size         | See Table II   |    |    |     |   |   |
| Insert Arrangement | See Table II   |    |    |     |   |   |
| Contact Type       | P = Pin Contact on Plug Side, Socket Contact on Receptacle Side<br>S = Socket Contact on Plug Side, Pin Contact on Receptacle Side   |    |    |     |   |   |
| Shell Key Position | A = Normal, B, C, D, B, F; See Table III   |    |    |     |   |   |

B



| Dimensions |                      |       |       |
|------------|----------------------|-------|-------|
| Shell Size | A Threads            | Ø B   |       |
|            |                      | In.   | mm.   |
| 8          | .5000-.1P-.3L-TS-2B  | .691  | 17.55 |
| 9          | .5625-.1P-.3L-TS-2B  | .787  | 19.99 |
| 10         | .6250-.1P-.3L-TS-2B  | .826  | 20.98 |
| 11         | .6875-.1P-.3L-TS-2B  | .916  | 23.27 |
| 12         | .7500-.1P-.3L-TS-2B  | .982  | 24.94 |
| 15         | .9375-.1P-.3L-TS-2B  | 1.097 | 27.86 |
| 18         | 1.1250-.1P-.3L-TS-2B | 1.290 | 32.77 |
| 19         | 1.1875-.1P-.3L-TS-2B | 1.310 | 33.27 |
| 23         | 1.4375-.1P-.3L-TS-2B | 1.562 | 39.67 |



# Sav-Con<sup>®</sup> connector savers

## Mighty Mouse Series 805

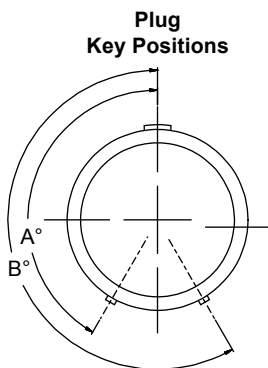
### Reference Information



| Code | Material        | Finish   |
|------|-----------------|--|
| C    | Aluminum        | Black Anodize (Non-Conductive)<br>RoHS Compliant |
| M    | Aluminum        | Electroless Nickel RoHS Compliant                |
| NF   | Aluminum        | Cadmium with Olive Drab Chromate                 |
| ZN   | Aluminum        | Zinc-Nickel with Olive Drab Chromate             |
| ZNU  | Aluminum        | Zinc-Nickel with Black Chromate                  |
| MT   | Aluminum        | Nickel-PTFE RoHS Compliant                       |
| ZI   | Stainless Steel | Passivated RoHS Compliant                        |

| Contact Arr. | No. of Contacts |     |       |     |     |    |
|--------------|-----------------|-----|-------|-----|-----|----|
|              | #23             | #20 | #20HD | #16 | #12 | #8 |
| 8-1          |                 |     |       | 1   |     |    |
| 8-23         |                 |     | 3     |     |     |    |
| 8-4          | 4               |     |       |     |     |    |
| 8-6          | 6               |     |       |     |     |    |
| 8-7          | 7               |     |       |     |     |    |
| 9-1          |                 |     |       |     | 1   |    |
| 9-25         |                 |     | 5     |     |     |    |
| 9-10         | 10              |     |       |     |     |    |
| 10-1         |                 |     |       |     |     | 1  |
| 10-2         |                 |     |       | 2   |     |    |
| 10-28        |                 |     | 8     |     |     |    |
| 10-13        | 13              |     |       |     |     |    |
| 10-200       | 4               | 2   |       |     |     |    |
| 11-4         |                 |     |       | 4   |     |    |
| 11-210       |                 |     | 10    |     |     |    |
| 11-19        | 19              |     |       |     |     |    |
| 11-200       | 4               |     |       | 2   |     |    |
| 11-201       | 8               | 2   |       |     |     |    |
| 12-2         |                 |     |       |     | 2   |    |
| 12-5         |                 |     |       | 5   |     |    |
| 12-26        | 26              |     |       |     |     |    |
| 12-200       | 12              |     |       |     | 1   |    |
| 12-201       | 4               |     |       |     | 2   |    |
| 12-202       | 8               |     |       | 2   |     |    |
| 13-31        | 31              |     |       |     |     |    |
| 15-2         |                 |     |       |     | 2   |    |
| 15-3         |                 |     |       |     | 3   |    |
| 15-7         |                 |     |       | 7   |     |    |
| 15-220       |                 |     | 20    |     |     |    |
| 15-37        | 37              |     |       |     |     |    |
| 15-200       | 6               |     |       |     | 2   |    |
| 15-201       | 10              |     |       |     | 2   |    |
| 15-202       | 20              |     |       | 2   |     |    |

| Contact Arr. | No. of Contacts |     |       |     |     |    |
|--------------|-----------------|-----|-------|-----|-----|----|
|              | #23             | #20 | #20HD | #16 | #12 | #8 |
| 15-203       | 12              |     |       | 4   |     |    |
| 15-204       | 12              |     |       |     | 2   |    |
| 15-205       | 4               |     |       |     | 4   |    |
| 18-2         |                 |     |       |     |     | 2  |
| 18-5         |                 |     |       |     | 5   |    |
| 18-12        |                 |     |       | 12  |     |    |
| 18-235       |                 |     | 35    |     |     |    |
| 18-55        | 55              |     |       |     |     |    |
| 18-204       | 40              |     |       | 2   |     |    |
| 18-205       | 32              |     |       | 4   |     |    |
| 18-206       | 34              |     |       | 2   |     |    |
| 18-207       | 20              |     |       | 4   |     |    |
| 18-208       | 32              |     |       |     |     | 1  |
| 19-3         |                 |     |       |     |     | 3  |
| 19-7         |                 |     |       |     | 7   |    |
| 19-14        |                 |     |       | 14  |     |    |
| 19-241       |                 |     | 41    |     |     |    |
| 19-85        | 85              |     |       |     |     |    |
| 19-203       | 40              |     |       | 4   |     |    |
| 19-204       | 28              |     |       |     | 4   |    |
| 19-205       | 40              |     |       |     |     | 1  |
| 21-4         |                 |     |       |     |     | 4  |
| 21-19        |                 |     |       | 19  |     |    |
| 21-255       |                 |     | 55    |     |     |    |
| 21-100       | 100             |     |       |     |     |    |
| 21-201       | 44              |     |       |     |     | 2  |
| 21-202       | 12              |     |       |     |     | 4  |
| 23-5         |                 |     |       |     |     | 5  |
| 23-12        |                 |     |       |     | 12  |    |
| 23-22        |                 |     |       | 22  |     |    |
| 23-269       |                 |     | 69    |     |     |    |
| 23-130       | 130             |     |       |     |     |    |
| 23-200       | 28              |     |       |     |     | 4  |



| Key Position   | Key Rotation |     |
|----------------|--------------|-----|
|                | A °          | B ° |
| Normal (A)     | 150          | 210 |
| B              | 75           | 210 |
| C              | 95           | 230 |
| D              | 140          | 275 |
| E              | 75           | 275 |
| F              | 95           | 210 |
| Universal (U)* | -            | -   |

| Class | Pi - Circuit (pF) | C - Circuit (pF) |
|-------|-------------------|------------------|
| A     | 38,000 - 56,000   | 19,000 - 28,000  |
| B     | 32,000 - 45,000   | 16,000 - 22,500  |
| C     | 18,000 - 33,000   | 9,000 - 16,500   |
| D     | 8,000 - 12,000    | 4,000 - 6,000    |
| E     | 3,300 - 5,000     | 1,650 - 2,500    |
| F     | 800 - 1,300       | 400 - 650        |
| G     | 400 - 600         | 200 - 300        |
| J     | 70 - 120          | 35 - 60          |

\* Universal keyway is not intended for field use

