



# Sav-Con® connector savers

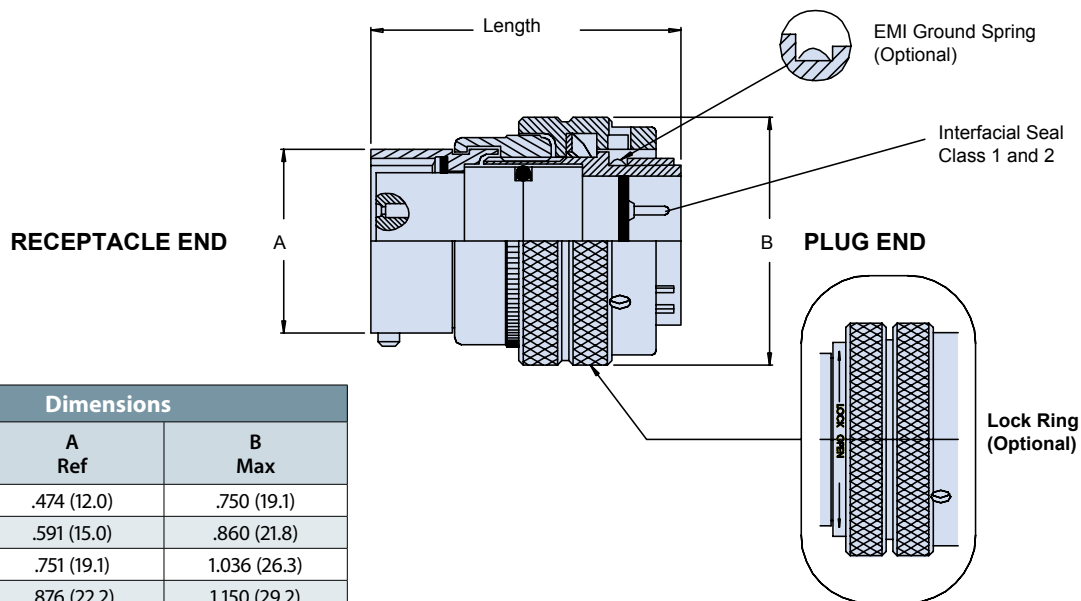
## PATT 105 and PATT 602

### 940-009, 941-009, 942-009 Bayonet Coupling



#### 940-009 GENERAL DUTY, 941-009 ENVIRONMENTAL AND 942-009 HIGH RELIABILITY

		How To Order											
Sample Part Number		94	0	L	009	N	24	G	61	P	AA	-B	131
Series	94												
Class	0 = General Duty 1 = Environmental 2 = High Reliability												
Lock Ring (optional)	L = Lock Ring -- Standard												
Basic Number	009												
Finish	See Table I												
Shell Size	See Dimensions Table												
EMI Ground	G = EMI Ground Spring (optional) -- Standard												
Insert Arrangement	See Table II												
Contact Type	P = Pins, Plug Side S = Sockets, Plug Side												
Alternate Key Configuration	AA, BB, CC, DD (Omit for Normal)												
Alternate Key Position	A, B, C, D, E, F, N = Normal; See Table III												
Mod Code	131 = Dry Lube, Omit for None												



Dimensions		
Shell Size	A Ref	B Max
08	.474 (12.0)	.750 (19.1)
10	.591 (15.0)	.860 (21.8)
12	.751 (19.1)	1.036 (26.3)
14	.876 (22.2)	1.150 (29.2)
16	1.101 (27.97)	1.280 (32.5)
18	1.126 (28.6)	1.400 (35.3)
20	1.251 (31.8)	1.530 (38.6)
22	1.376 (35.0)	1.640 (41.1)
24	1.501 (38.1)	1.60(45.1)





# Sav-Con<sup>®</sup> connector savers

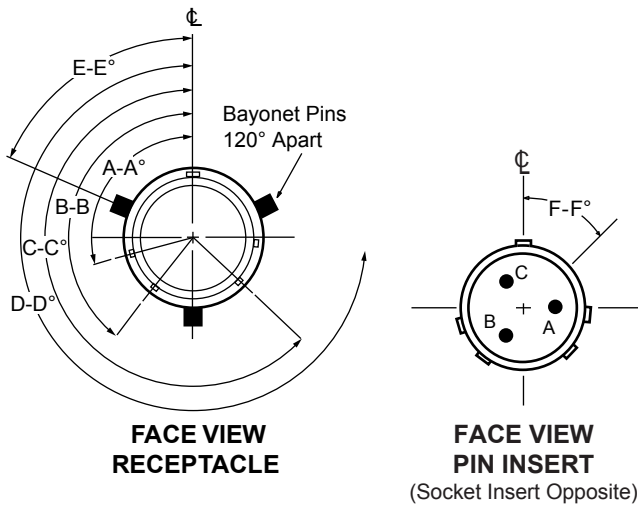
## PATT 105 and PATT 602

### Reference Information



Plating Code	Material	Finish	
M	Aluminum	Electroless Nickel	
B		Cad Plate, Olive Drab	
NF		Cadmium Plate Olive Drab over Electroless Nickel	
NC		Zinc-Cobalt	
ZN		Olive Drab Zinc-Nickel	
MT		Ni-PTFE 1000 Hour Grey™ (Nickel Fluorocarbon Polymer)	
ZR		Zinc Nickel, Black	
ME		Electroless Nickel (RoHS)	
ZL		Stainless Steel	Electro-Deposited Nickel

Shell Size Desig.	Insert Arr. Dash No.	Contact Size: Quantity			Alternate Insert Position (Degrees) FF°			
		20	16	12	W	X	Y	Z
08	-33	3			90	-	-	-
	-98	3			-	-	-	-
10	-6	6			90	-	-	-
	-98	6			90	180	240	270
12	-3		3		-	-	180	-
	-10	10			60	155	270	295
14	-4			4	45	-	-	-
	-5		5		40	92	184	273
	-12	8	4		43	90	-	-
	-19	19			30	165	315	-
16	-22	1		4	45	-	-	-
	-8		8		54	152	180	331
18	-26	26			60	-	275	338
	-11		11		62	119	241	340
	-30	29	1		180	193	285	350
20	-32	32			85	138	222	265
	-16		16		238	318	333	347
22	-41	41			45	126	225	-
	-21		21		16	135	175	349
24	-55	55			30	142	226	314
	-61	61			90	180	270	324



#### NOTES:

- In Alternate Insert Positions, the Pin Insert rotates clockwise while the Socket Insert rotates counter-clockwise the same number of degrees relative to the centerline of the Master Key or Keyway.
- In Alternate Key/Keyway Positions, the smaller Plug Keys rotate clockwise with respect to the centerline of the Master Keyway as shown.

Shell Size	A-A°					B-B°					C-C°					D-D°					E-E°				
	N	B	C	E	F	N	B	C	E	F	N	B	C	E	F	N	B	C	E	F	N	B	C	E	F
8	105	-	-	118	82	140	-	-	148	132	215	-	-	248	207	265	-	-	278	252	60	-	-	73	47
10	105	85	125	115	85	140	120	160	145	135	215	195	235	245	210	265	245	285	275	255	60	40	80	70	50
12	105	89	121	115	85	140	124	156	145	135	215	199	231	245	210	265	249	281	275	255	60	44	76	70	50
14	105	91	119	75	120	140	126	154	105	170	215	201	229	205	245	265	251	279	235	290	60	46	74	30	75
16	105	93	117	75	120	140	128	152	105	170	215	203	227	205	245	265	253	277	235	290	60	48	72	30	75
18	105	95	115	75	120	140	130	150	105	170	215	205	225	205	245	265	255	275	235	290	60	50	70	30	75
20	105	95	115	75	120	140	130	150	105	170	215	205	225	205	245	265	255	275	235	290	60	50	70	30	75
22	105	97	113	75	120	140	132	148	105	170	215	207	223	205	245	265	257	273	235	290	60	52	68	30	75
24	105	97	113	75	120	140	132	148	105	170	215	207	223	205	245	265	257	273	235	290	60	52	68	30	75