



Sav-Con® connector savers

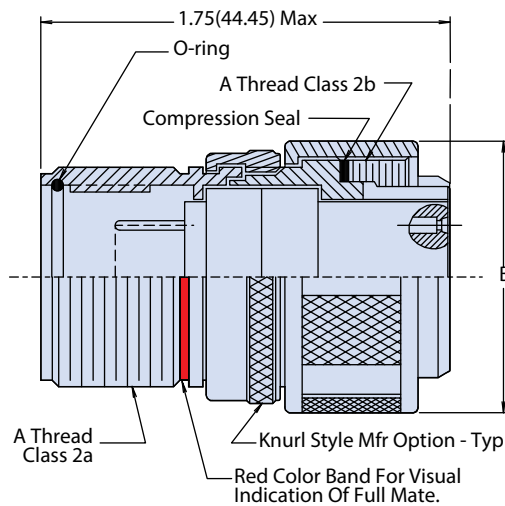


Series 22 Geo-Marine connectors

940-014 High-Pressure Environmental Connector

How To Order	
Sample Part Number	940 -014 M 24 -61 S N
Series No.	940
Basic No.	014
Finish Symbol	B, J, M, N, NF, T, Z1 See Table I
Shell Size	10, 12, 14, 16, 18, 20, 22, 24 See Table II
Insert Arrangement	See Table II
Contact Style	P = Pins, Plug Side S = Sockets, Plug Side
Alternate Key Position	1, 2, 3, 4, N = Normal; See Table III

MATES WITH 220-006



Mates to any Geo-Marine® non-scoop proof receptacle

B

Shell Size	A Thread	B Dia
10	.750-.1P-.1L	1.000 (25.40)
12	.875-.1P-.1L	1.125 (28.58)
14	1.000-.1P-.1L	1.250 (31.75)
16	1.125-.1P-.1L	1.375 (34.93)
18	1.250-.1P-.1L	1.594 (40.49)
20	1.375-.1P-.1L	1.719 (43.66)
22	1.500-.1P-.1L	1.894 (48.11)
24	1.625-.1P-.1L	1.969 (50.01)

NOTES

1. Assembly identified with manufacturer's name and P/N, space permitting.
2. Glenair 940-014 connector saver is designed to mate with Glenair 220-06 series Geo-Marine® connectors. (Non-scoop-proof)

MATERIAL/FINISH:

- Barrel, shell, coupling nuts - see Table II.
- Contacts - copper alloy/gold plate.
- Insulators - high grade rigid dielectric/N.A.
- O-ring & seals - silicone/N.A.



Sav-Con[®] connector savers

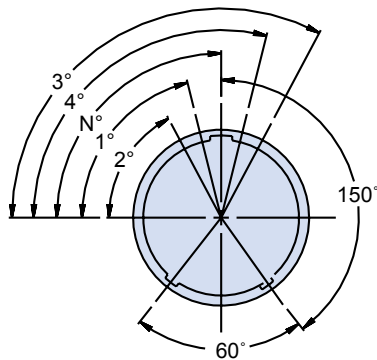
Geo-Marine[™] Series 22

Reference Information



Table I: Material/Finish

Sym	Finish Description
B	Aluminum/Cadmium Plate/Olive Drab
J	Aluminum/Gold Iridite Over Cadmium Plate Over Nickel
M	Aluminum/Electroless Nickel
N	Aluminum/Cadmium Plate/Olive Drab Over Nickel
NF	Aluminum/Cad/O. D. Over Electroless Nickel (500 Hour Salt Spray)
T	Aluminum/Cadmium Plate/Bright Dip Over Nickel
Z1	Stainless Steel/Passivate Coupling Nut Nickel - Aluminum - Bronze/Degrease



**FACE VIEW
RECEPTACLE**

Table III: Alternate Keyway Positions

SHELL SIZE DESIG.	N°	1°	2°	3°	4°
10	90	76	62	118	104
12	90	70	58	122	110
14	90	69	56	124	111
16	90	72	60	120	108
18	90	72	62	120	108
20	90	72	60	120	108
22	90	75	64	116	105
24	90	75	64	115	105

Table II: Contact Arrangements

Shell Size	Series 22 Pattern	Service Rating	Contact Size/Quantity			
			22	20	16	12
10	10-2	II			2	
	10-4	I			4	
	10-6	I		6		
	10-13	M	13			
12	12-8	II			8	
	12-10	I		10		
	12-22	M	22			
14	14-4	II				4
	14-12	II			12	
	14-19	I		19		
	14-37	M	37			
16	16-6	II				6
	16-19	II			19	
	16-26	I		26		
	16-55	M	55			
18	18-8	I				8
	18-11	II			11	
	18-22	II			22	
	18-32	I		32		
20	18-66	M	66			
	20-11	II				11
	20-30	II			30	
	20-38	I	30		8	
22	20-41	I		41		
	20-79	M	79			
	22-19	II				19
	22-38	II			38	
24	22-50	M	48			
	22-55	I		55		
	22-85	M	85			
	24-24	I			16	16
	24-48	II			48	
	24-61	I		61		
24	24-100	M	100			
	24-128	M	128			

B