



# Sav-Con<sup>®</sup> connector savers

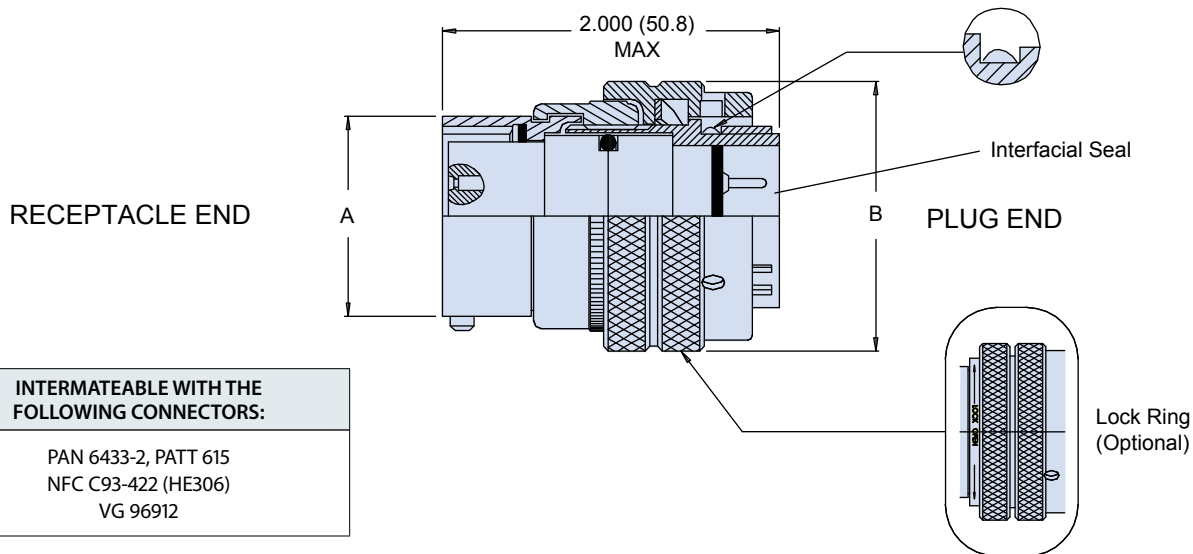
## LN 29729 (SJT)

### 941-008 and 942-008 Bayonet Coupling



#### 941-008 ENVIRONMENTAL AND 942-008 HIGH RELIABILITY WITH BAYONET COUPLING

| How To Order           |   |   |   |     |    |    |   |    |   |   |
|------------------------|---|---|---|-----|----|----|---|----|---|---|
| Sample Part Number     | 94  | 1 | L | 008 | NF | 28 | G | 22 | P | X |
| Series                 | 94  |   |   |     |    |    |   |    |   |   |
| Class                  | 1 = Environmental    2 = High Reliability               |   |   |     |    |    |   |    |   |   |
| Lock Ring (optional)   | L = Lock Ring    - (dash) = Standard                    |   |   |     |    |    |   |    |   |   |
| Basic Number           | 008   |   |   |     |    |    |   |    |   |   |
| Finish                 | See Table I   |   |   |     |    |    |   |    |   |   |
| Shell Size             | See Table II  |   |   |     |    |    |   |    |   |   |
| EMI Ground             | G = EMI Ground Spring (optional)    - (dash) = Standard |   |   |     |    |    |   |    |   |   |
| Insert Arrangement     | See Table II  |   |   |     |    |    |   |    |   |   |
| Contact Type           | P = Pins, Plug Side    S = Sockets, Plug Side           |   |   |     |    |    |   |    |   |   |
| Alternate Key Position | W, X, Y, Z (Omit for Normal); See Table II              |   |   |     |    |    |   |    |   |   |



| Dimensions |              |              |              |                   |            |              |              |              |                   |
|------------|--------------|--------------|--------------|-------------------|------------|--------------|--------------|--------------|-------------------|
| Shell Size | A Ref        | B Max        | C Max        | D Thread Class 2A | Shell Size | A Ref        | B Max        | C Max        | D Thread Class 2A |
| 08S        | .500 (12.7)  | 1.750 (44.5) | .844 (21.4)  | 1/2 - 28 UNEF     | 20         | 1.250 (31.8) | 2.125 (54.0) | 1.469 (37.3) | 1-1/4 - 18 UNEF   |
| 08L        | .625 (15.9)  | 1.750 (44.5) | .969 (24.6)  | 5/8 - 24 UNEF     | 22         | 1.375 (34.9) | 2.125 (54.0) | 1.594 (40.5) | 1-3/8 - 18 UNEF   |
| 12S        | .750 (19.1)  | 1.750 (44.5) | 1.062 (27.0) | 3/4 - 20 UNEF     | 24         | 1.500 (38.1) | 2.125 (54.0) | 1.719 (43.7) | 1-1/2 - 18 UNEF   |
| 12         | .750 (19.1)  | 2.125 (54.0) | 1.062 (27.0) | 3/4 - 20 UNEF     | 28         | 1.750 (44.5) | 2.125 (54.0) | 1.969 (50.0) | 1-3/4 - 18 UNEF   |
| 14S        | .875 (22.2)  | 1.750 (44.5) | 1.156 (29.4) | 7/8 - 20 UNEF     | 32         | 2.000 (50.8) | 2.125 (54.0) | 2.219 (56.4) | 2 - 18 UNS        |
| 14         | .875 (22.2)  | 2.125 (54.0) | 1.156 (29.4) | 7/8 - 20 UNEF     | 36         | 2.250 (57.2) | 2.125 (54.0) | 2.469 (62.7) | 2-1/4 - 16 UNS    |
| 16S        | 1.000 (25.4) | 1.750 (44.5) | 1.250 (31.8) | 1 - 20 UNEF       | 40         | 2.500 (50.8) | 2.125 (54.0) | 2.719 (69.1) | 2-1/2 - 16 UN     |
| 16         | 1.000 (25.4) | 2.125 (54.0) | 1.250 (31.8) | 1 - 20 UNEF       | 44         | 2.750 (69.9) | 2.125 (54.0) | 2.969 (75.4) | 2 - 3/4 - 16 UN   |
| 18         | 1.125 (28.6) | 2.125 (54.0) | 1.344 (34.1) | 1-1/8 - 18 UNEF   | 48         | 3.000 (76.2) | 2.125 (54.0) | 3.219 (81.8) | 3 - 16 UN         |



# Sav-Con® connector savers

## LN 29729 (SJT)

### Reference Information

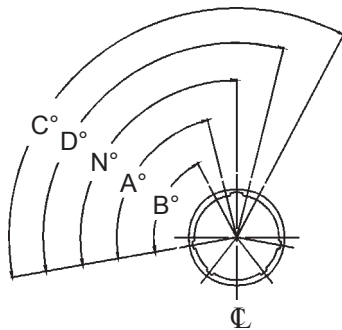


**Table I: Material and Finish**

| Plating Code | Material        | Finish  |
|--------------|-----------------|---|
| M            | Aluminum        | Electroless Nickel                                    |
| B            |                 | Cad Plate, Olive Drab                                 |
| NF           |                 | Cadmium Plate Olive Drab over Electroless Nickel      |
| NC           |                 | Zinc-Cobalt   |
| ZN           |                 | Olive Drab Zinc-Nickel                                |
| MT           |                 | Ni-PTFE 1000 Hour Grey™ (Nickel Fluorocarbon Polymer) |
| ZR           |                 | Zinc Nickel, Black                                    |
| ME           |                 | Electroless Nickel (RoHS)                             |
| ZL           | Stainless Steel | Electro-Deposited Nickel                              |

**Table II: Insert Arrangements and Keyway Positions**

| Shell Size Desig | Insert Arrangement Dash No. | Contact Size: Quantity |    |    |    | Alternate Keyway Positions |    |    |     |     |
|------------------|-----------------------------|------------------------|----|----|----|----------------------------|----|----|-----|-----|
|                  |                             | 22                     | 20 | 16 | 12 | N°                         | A° | B° | C°  | D°  |
| 08               | 8-35                        | 6                      |    |    |    | 95                         | -  | -  | -   | -   |
|                  | 8-44                        | 4                      |    |    |    |                            |    |    |     |     |
|                  | 8-98                        |                        | 3  |    |    |                            |    |    |     |     |
| 10               | 10-5                        |                        | 5  |    |    | 95                         | 81 | 67 | 123 | 109 |
|                  | 10-35                       | 13                     |    |    |    |                            |    |    |     |     |
|                  | 10-98                       |                        | 6  |    |    |                            |    |    |     |     |
| 12               | 12-4                        |                        |    | 4  |    | 95                         | 75 | 63 | 127 | 115 |
|                  | 12-8                        |                        | 8  |    |    |                            |    |    |     |     |
|                  | 12-35                       | 22                     |    |    |    |                            |    |    |     |     |
|                  | 12-98                       |                        | 10 |    |    |                            |    |    |     |     |
| 14               | 14-5                        |                        |    | 5  |    | 95                         | 74 | 61 | 129 | 116 |
|                  | 14-15                       |                        | 14 | 1  |    |                            |    |    |     |     |
|                  | 14-18                       |                        | 18 |    |    |                            |    |    |     |     |
|                  | 14-19                       |                        | 19 |    |    |                            |    |    |     |     |
|                  | 14-35                       | 37                     |    |    |    |                            |    |    |     |     |
|                  | 14-97                       |                        | 8  | 4  |    |                            |    |    |     |     |
| 16               | 16-6                        |                        |    |    | 6  | 95                         | 77 | 65 | 125 | 113 |
|                  | 16-8                        |                        |    | 8  |    |                            |    |    |     |     |
|                  | 16-26                       |                        | 26 |    |    |                            |    |    |     |     |
|                  | 16-35                       | 55                     |    |    |    |                            |    |    |     |     |
|                  | 16-99                       |                        | 21 | 2  |    |                            |    |    |     |     |
| 18               | 18-11                       |                        |    | 11 |    | 95                         | 77 | 65 | 125 | 113 |
|                  | 18-32                       |                        | 32 |    |    |                            |    |    |     |     |
|                  | 18-35                       | 66                     |    |    |    |                            |    |    |     |     |
| 20               | 20-35                       | 79                     |    |    |    | 95                         | 77 | 65 | 125 | 113 |
|                  | 20-11                       |                        |    |    | 11 |                            |    |    |     |     |
|                  | 20-16                       |                        |    | 16 |    |                            |    |    |     |     |
|                  | 20-39                       |                        | 37 | 2  |    |                            |    |    |     |     |
|                  | 20-41                       |                        | 41 |    |    |                            |    |    |     |     |
| 22               | 22-35                       | 100                    |    |    |    | 95                         | 80 | 69 | 121 | 110 |
|                  | 22-2                        | 85                     |    |    |    |                            |    |    |     |     |
|                  | 22-21                       |                        |    | 21 |    |                            |    |    |     |     |
|                  | 22-53                       |                        | 53 |    |    |                            |    |    |     |     |
| 24               | 24-35                       | 128                    |    |    |    | 95                         | 80 | 69 | 121 | 110 |
|                  | 24-2                        | 100                    |    |    |    |                            |    |    |     |     |
|                  | 24-19                       |                        |    |    | 19 |                            |    |    |     |     |
|                  | 24-29                       |                        |    | 29 |    |                            |    |    |     |     |
|                  | 24-61                       |                        | 61 |    |    |                            |    |    |     |     |



**FACE VIEW RECEPTACLE**  
 In alternate positions, the pin insert rotates clockwise while the socket insert rotates counterclockwise the same number of degrees relative to the center line of the master key or keyway.

*Consult Factory for Additional Filter Types, TVS Diodes, and other Custom Configurations.*