



Sav-Con® Connector Savers

MIL-DTL-38999 Series III, shell size 25

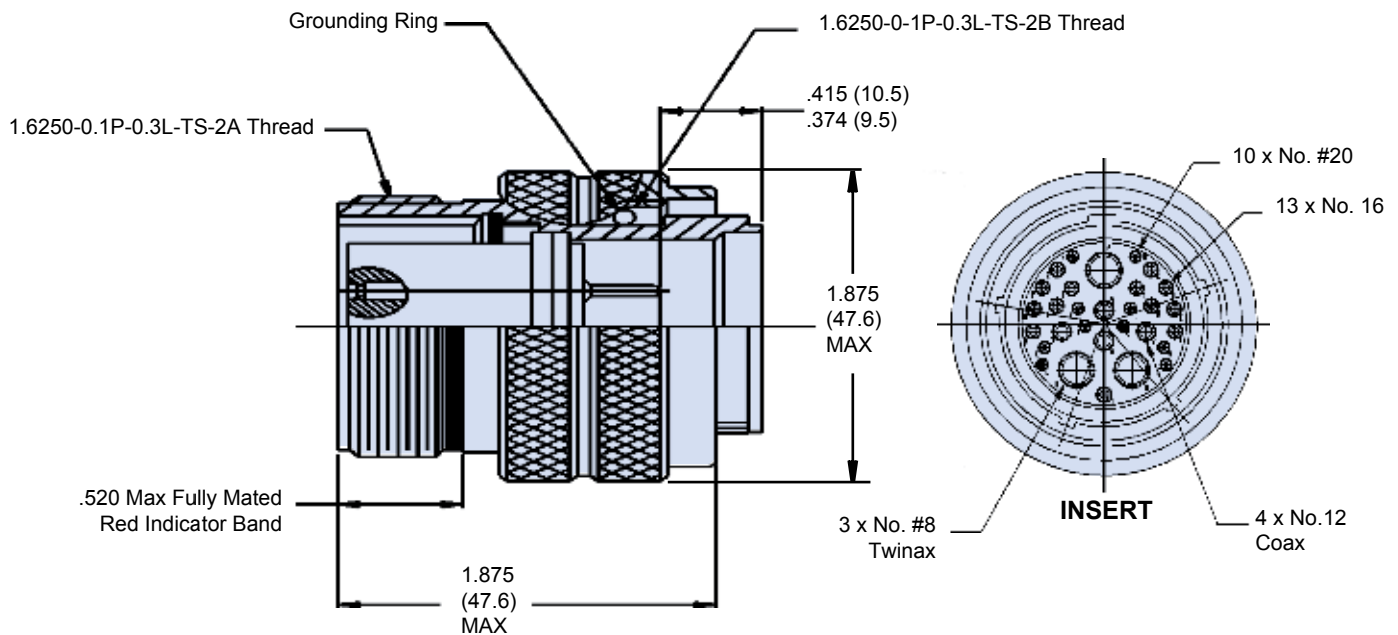
941-021 and 942-021 Threaded Coupling



941-021 ENVIRONMENTAL AND 942-021 HIGH RELIABILITY WITH THREADED COUPLING

How To Order									
Sample Part Number	94	1	-021	NF	25	20	P	A	X
Series	94								
Class	1 = Environmental 2 = High Reliability								
Basic Number	021								
Finish	See Table I								
Shell Size	25								
Insert Arrangement	20; See Table II								
Contact Type	P = Pins, Plug Side S = Sockets, Plug Side								
Alternate Key Position	A, B, C, D, E, N = Normal; See Table III								
Fiber Optic	X = If using Fiber Optics in Channels U and Y (Supplied without electrical contacts in these cavities). Omit for Non-Fiber Use								

B



Design Features:

- Incorporates all MIL-STD-D38999 Series III Design Features
- Intermateable with D38999/20, /24 and /31 Connectors
- Insert Arrangement 25-20 Compatible with MIL-STD-1553 Aircraft Multiplex Data Bus

25-20 Insert Arrangement							
Shell Size Code	Shell Size	Insert Arrangement Dash No.	Total Number Of Contacts	Contact Size			
				20	16	12 (Coax)	8 (Twinax)
J	25	25-20	30	Quantity			
				10	13	4	3



Sav-Con[®] connector savers

MIL-DTL-38999 Series III

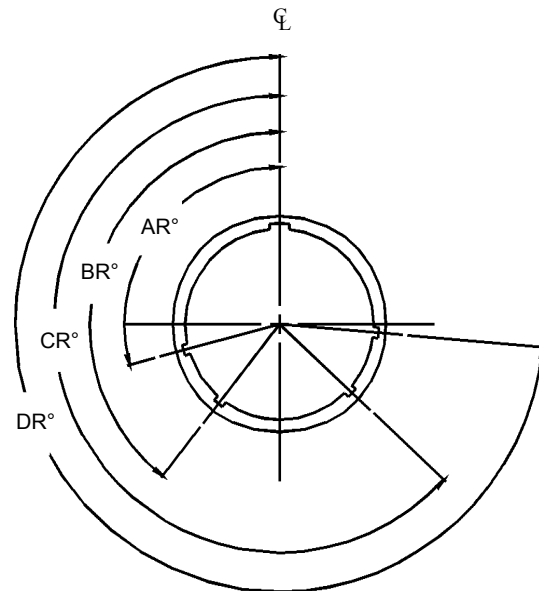
Reference Information



Plating Code	Material	Finish
M	Aluminum	Electroless Nickel
B		Cad Plate, Olive Drab
NF		Cadmium Plate Olive Drab over Electroless Nickel
NC		Zinc-Cobalt
ZN		Olive Drab Zinc-Nickel
MT		Ni-PTFE 1000 Hour Grey™ (Nickel Fluorocarbon Polymer)
ZR		Zinc Nickel, Black
ME		Electroless Nickel (RoHS)
ZL	Stainless Steel	Electro-Deposited Nickel

Table III: Manin and Alternate Keyway Positions

Shell Size Code Ref	Shell Size	Alt. Keyway Code	AR°	BR°	CR°	DR°
A	9	N	105	140	215	265
		A	102	132	248	320
		B	80	118	230	312
		C	35	140	205	275
		D	64	155	234	304
B	11	N	95	141	208	236
		A	113	156	182	292
		B	90	145	195	252
		C	53	156	220	255
		D	119	146	176	298
C	13	N	80	142	196	293
		A	135	170	200	310
		B	49	169	200	244
		C	66	140	200	257
		D	62	145	180	280
D	15	N	80	142	196	293
		A	135	170	200	310
		B	49	169	200	244
		C	66	140	200	257
		D	62	145	180	280
E	17	N	80	142	196	293
		A	135	170	200	310
		B	49	169	200	244
		C	66	140	200	257
		D	62	145	180	280
F	19	N	80	142	196	293
		A	135	170	200	310
		B	49	169	200	244
		C	66	140	200	257
		D	62	145	180	280
G	21	N	80	142	196	293
		A	135	170	200	310
		B	49	169	200	244
		C	66	140	200	257
		D	62	145	180	280
H	23	N	80	142	196	293
		A	135	170	200	310
		B	49	169	200	244
		C	66	140	200	257
		D	62	145	180	280
J	25	N	80	142	196	293
		A	135	170	200	310
		B	49	169	200	244
		C	66	140	200	257
		D	62	145	180	280



FACE VIEW
RECEPTACLE INSERT



Sav-Con® connector savers

MIL-DTL-38999 Series III

Reference Information



Table II: Shell Size - Insert Arrangement

Shell Size Code	Shell Size Ref.	Insert Arr. Dash No.	Contact Size			
			22	20	16	12
A	9	9-3		3		
		9-35	6			
		9-44	4			
		9-98		3		
B	11	11-2			2	
		11-4		4		
		11-5		5		
		11-6		6		
		11-35	13			
		11-98		6		
		11-99		7		
C	13	13-4			4	
		13-8		8		
		13-35	22			
		13-98		10		
D	15	15-5			5	
		15-15		14	1	
		15-18		18		
		15-19		19		
		15-35	37			
E	17	17-6				6
		17-8			8	
		17-26		26		
		17-35	55			
		17-99		21	2	
F	19	19-11			11	
		19-28		26	2	
		19-30		29	1	
		19-32		32		
		19-35	66			
19-45	67					

Table II: Shell Size - Insert Arrangement

Shell Size Code	Shell Size Ref.	Insert Arr. Dash No.	Contact Size			
			22	20	16	12
G	21	21-35	79			
		21-11				11
		21-16			16	
		21-24		24		
		21-25		25		
		21-27		27		
		21-39		37	2	
		21-41		41		
H	23	23-35	100			
		23-2	85			
		23-21			21	
		23-32		32		
		23-34		34		
		23-36		36		
		23-53		53		
		23-55		55		
		23-97			16	
		23-99			11	
J	25	25-2	100			
		25-4		48	8	
		25-19				19
		25-24			12	12
		25-29			29	
		25-35	128			
		25-43		23	20	
		25-61		61		

Table IV: Capacitor Array Code Capacitance Range for Filtered Connectors

Class	Pi - Circuit (pF)	C - Circuit (pF)
X*	160,000 - 240,000	80,000 - 120,000
Y*	80,000 - 120,000	40,000 - 60,000
Z*	60,000 - 90,000	30,000 - 45,000
A	38,000 - 56,000	19,000 - 28,000
B	32,000 - 45,000	16,000 - 22,500
C	18,000 - 33,000	9,000 - 16,500
D	8,000 - 12,000	4,000 - 6,000
E	3,300 - 5,000	1,650 - 2,500
F	800 - 1,300	400 - 650
G	400 - 600	200 - 300
J	70-120	35-60

* Filter Classes X, Y and Z are 250 VDC.
All others are 500 VDC