



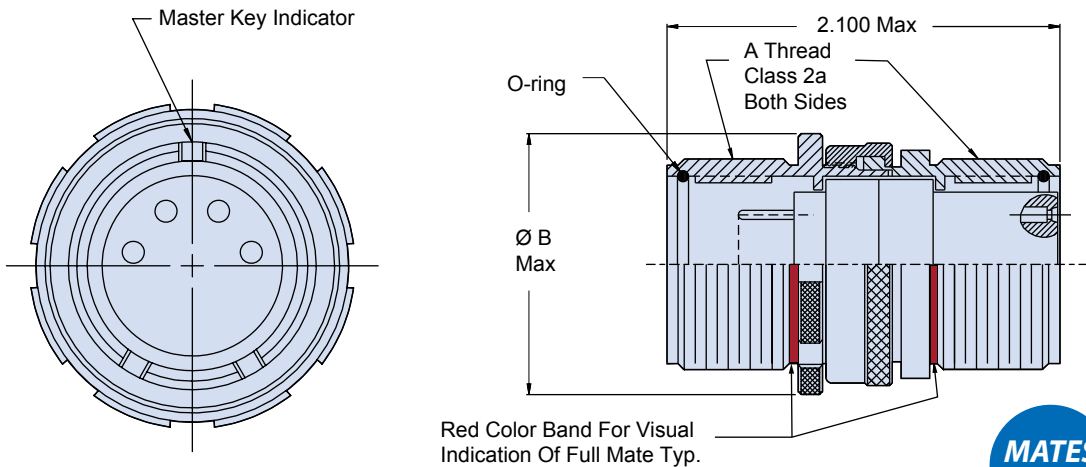
Sav-Con[®] connector savers

Series 22 Geo-Marine[®] connectors

227-152 High-Pressure In-Line gender changer



How To Order					
Sample Part Number	227-152	Z1	16	-19	N
Series No.	227-152				
Finish Sym	Z1; See Table I				
Shell Size	10, 12, 14, 16, 18, 20, 22, 24				
Insert Arrangement	See Table II				
Alternate Key Position	N, 1, 2, 3 or 4; See Table III				



MATES WITH 220-16

Dimensions		
Shell Size	A Thread	B Dia
10	.750-.1P-.1L	.906
12	.875-.1P-.1L	1.031
14	1.000-.1P-.1L	1.156
16	1.125-.1P-.1L	1.281
18	1.250-.1P-.1L	1.531
20	1.375-.1P-.1L	1.656
22	1.500-.1P-.1L	1.781
24	1.625-.1P-.1L	1.906

NOTES:

1. Assembly identified with manufacturer's name and P/N, space permitting.
2. Glenair 227-152 connector receptacle is designed to mate with Glenair 220-16 series Geo-Marine[®] connectors. (scoop-proof)

MATERIAL/FINISH:

- Shell, lock nut - CRES/passivate.
- Contacts - copper alloy/gold plate.
- Insulators - high grade rigid dielectric/n.a.
- Interface seal - fluorosilicone/n.a.
- O-rings - nitrile/n.a.





Sav-Con[®] connector savers

Series 22 Geo-Marine[®]

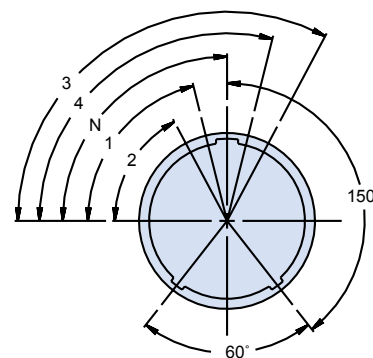
Reference Information



Table I: Material/Finish	
Sym	Finish Description
Z1	Stainless Steel/Passivate Coupling Nut Nickel - Aluminum - Bronze/Degrease

Table II: Contact Arrangements						
Shell Size	Series 22 Pattern	Service Rating	Contact Size/Quantity			
			22	20	16	12
10	10-2	II			2	
	10-04	I		4		
	10-06	I		6		
	10-13	M	13			
12	12-08	II			8	
	12-10	I		10		
	12-22	M	22			
14	14-04	II				4
	14-12	II			14	
	14-19	I		19		
	14-37	M	37			
16	16-06	II				6
	16-19	II			19	
	16-26	I		26		
	16-55	M	55			
18	18-08	I		8		
	18-22	II			22	
	18-32	I		32		
	18-66	M	66			
20	20-11	II				11
	20-30	II			30	
	20-38	I		30	8	
	20-41	I		41		
	20-79	M	79			
22	22-19	II				19
	22-38	II			38	
	22-55	I		55		
	22-85	M	85			
24	24-48	II			48	
	24-61	I		61		
	24-100	M	100			
	24-128	M	128			

Table III: Alternate Keyway Positions



FACE VIEW RECEPTACLE

Shell Size Desig.	N°	1°	2°	3°	4°
10	90	76	62	118	104
12	90	70	58	122	110
14	90	69	56	124	111
16	90	72	60	120	108
18	90	72	62	120	108
20	90	72	60	120	108
22	90	75	64	116	105
24	90	75	64	115	105