



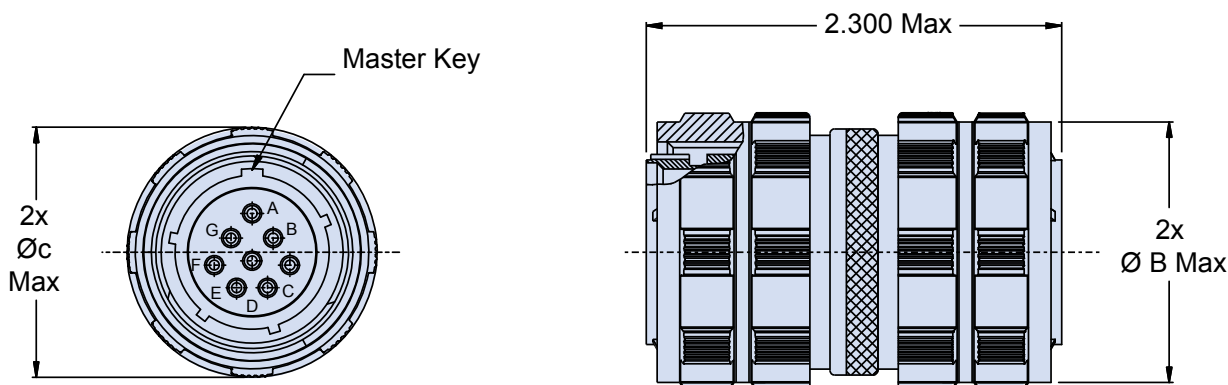
Sav-Con[®] connector savers

MIL-DTL-38999 Series III

233-214 SuperNine[®] In-Line Gender Changer



How To Order	
Sample Part Number	233-214 -NF 17-8 P N S N
Series / Basic Part No.	233-214
Finish	NF = Cadmium Olive Drab ME = Electroless Nickel MT = Nickel PTFE ZR = Black Zinc Nickel
Shell Size - Insert Arrangement	See Table II
Contact Style (Plug Side)	P = Pin, gold, 500 cycles S = Socket, gold, 500 cycles
Alternate Polarization* (Plug Side)	A, B, C, D, E, N = Normal, U = Universal; See Note 5
Contact Style (Opposite Plug Side)	P = Pin, gold, 500 cycles S = Socket, gold, 500 cycles
Alternate Polarization* (Opposite Plug Side)	A, B, C, D, E, N = Normal, U = Universal; Review Note 5 See Table II



NOTES

- Glenair 233-214 connector savers are designed to meet or exceed the mechanical dimensional, electrical, and environmental requirements of MIL-DTL-38999, D38999/20 and /24 and MIL-STD-1560 except as shown and /or noted. Glenair connector savers mate with any QPL manufacturer's MIL-DTL-38999, series III plugs and receptacles have the same shell size, insert arrangement, and polarization.
- For pin/pin and socket/socket, symmetrical layout only.
- Power to a given contact on one end will result in power to a contact directly opposite, regardless of identification letter.
- Electrical safety limits must be established by user. Peak voltage, switching surge, transient, etc. should be used to determine the safety application.
- Alternate polarization 'U' (universal) is a non-standard/non-mill-spec option intended for test lab use only which allows for mating to any QPL manufacturer's MIL-DTL-38999, series III connector having the same shell size, insert arrangement, and mating contact size. Universal connectors are intended for use in testing facilities only and should be highly evaluated before consideration in another environment.

Dimensions			
Shell Size Code	Shell Size	ØB Max	ØC Max
A	9	0.811 (20.6)	0.858 (21.8)
B	11	0.929 (23.6)	0.984 (25.0)
C	13	1.110 (28.2)	1.157 (29.4)
D	15	1.232 (31.3)	1.280 (32.5)
E	17	1.358 (34.5)	1.406 (35.7)
F	19	1.469 (37.3)	1.516 (38.5)
G	21	1.594 (40.5)	1.642 (41.7)
H	23	1.720 (43.7)	1.768 (44.9)
J	25	1.843 (46.8)	1.890 (48.0)



Sav-Con[®] connector savers

MIL-DTL-38999 Series III

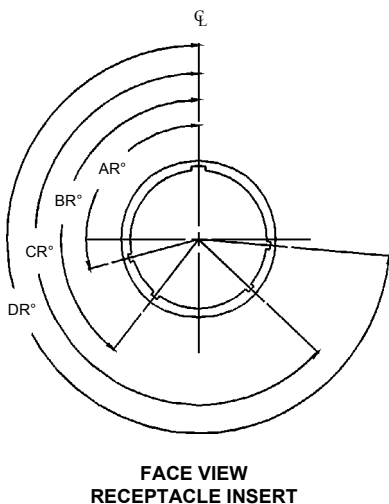
Reference Information



Plating Code	Material	Finish
M	Aluminum	Electroless Nickel
B		Cad Plate, Olive Drab
NF		Cadmium Plate Olive Drab over Electroless Nickel
NC		Zinc-Cobalt
ZN		Olive Drab Zinc-Nickel
MT		Ni-PTFE 1000 Hour Grey™ (Nickel Fluorocarbon Polymer)
ZR		Zinc Nickel, Black
ME		Electroless Nickel (RoHS)

Shell Size Code	Shell Size Ref.	Insert Arr. Dash No.	Contact Size			
			22	20	16	12
A	9	9-3		3		
		9-35	6			
		9-44	4			
		9-98		3		
B	11	11-2			2	
		11-4		4		
		11-5		5		
		11-6		6		
		11-35	13			
		11-98		6		
		11-99		7		
C	13	13-4			4	
		13-8		8		
		13-35	22			
		13-98		10		
D	15	15-5			5	
		15-15		14	1	
		15-18		18		
		15-19		19		
		15-35	37			
		15-97		8	4	
E	17	17-6				6
		17-8			8	
		17-26		26		
		17-35	55			
		17-99		21	2	
F	19	19-11			11	
		19-28		26	2	
		19-30		29	1	
		19-32		32		
		19-35	66			
		19-45	67			

Shell Size Code	Shell Size Ref.	Insert Arr. Dash No.	Contact Size			
			22	20	16	12
G	21	21-35	79			
		21-11				11
		21-16			16	
		21-24		24		
		21-25		25		
		21-27		27		
		21-39		37	2	
H	23	21-41		41		
		23-35	100			
		23-2	85			
		23-21			21	
		23-32		32		
		23-34		34		
		23-36		36		
		23-53		53		
		23-55		55		
		23-97			16	
J	25	23-99			11	
		25-2	100			
		25-4		48	8	
		25-19			19	
		25-24			12	12
		25-29			29	
		25-35	128			
		25-43		23	20	
25-61		61				



Shell Size Code	Shell Size Ref.	Alt. Keyway Code	AR°	BR°	CR°	DR°
A	09	N	105	140	215	265
		A	102	132	248	320
		B	80	118	230	312
		C	35	140	205	275
		D	64	155	234	304
		E	91	131	197	240
B	11	N	95	141	208	236
		A	113	156	182	292
C	13	B	90	145	195	252
		C	53	156	220	255
D	15	D	119	146	176	298
		E	51	141	184	242

Shell Size Code	Shell Size Ref.	Alt. Keyway Code	AR°	BR°	CR°	DR°
E	17	N	80	142	196	293
		A	135	170	200	310
		B	49	169	200	244
		C	66	140	200	257
		D	62	145	180	280
F	19	E	79	153	197	272
		N	80	142	196	293
		A	135	170	200	310
G	21	B	49	169	200	244
		C	66	140	200	257
H	23	D	62	145	180	280
		E	79	153	197	272
		N	80	142	196	293
J	25	A	135	170	200	310
		B	49	169	200	244