



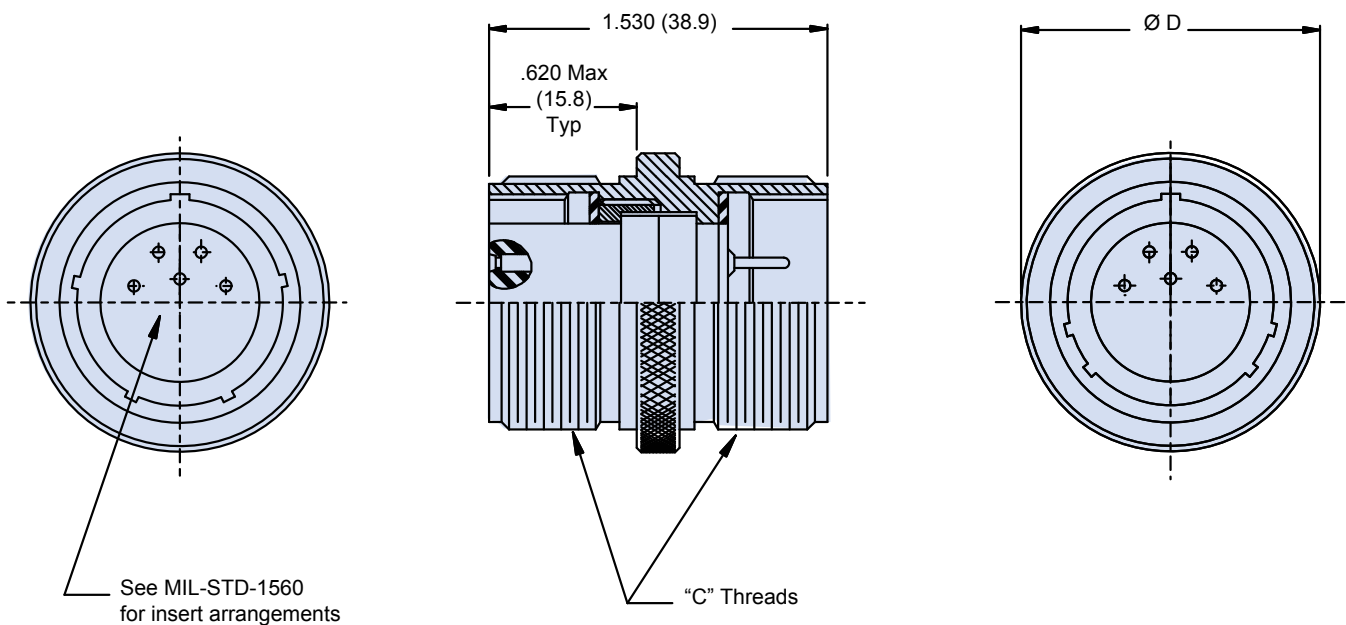
# Sav-Con<sup>®</sup> connector savers

## MIL-DTL-38999 Series III

### 947-139 Threaded In-Line Gender Changer



HOW TO ORDER							
Sample Part Number	947-139	J	21-35	S	E	P	N
Series	947-139						
Finish	See Table I						
Shell Size - Insert Arrangement	See Table II						
Contact Type (Side "A")	S = Sockets		P = Pins				
Alternate Key Position	A, B, C, D, E		N = Normal;				
Contact Type (Side "B")	S = Sockets		P = Pins				
Alternate Key Position	A, B, C, D, E		N = Normal;				



Dimensions		
Shell Size	C Thread	Ø D Max
09	.625-1P-.3L-2A	.859
11	.750-1P-.3L-2A	.984
13	.875-1P-.3L-2A	1.156
15	1.000-1P-.3L-2A	1.281
17	1.187-1P-.3L-2A	1.406
19	1.250-1P-.3L-2A	1.516
21	1.375-1P-.3L-2A	1.641
23	1.500-1P-.3L-2A	1.766
25	1.625-1P-.3L-2A	1.891

#### NOTES

1. For pin/pin and skt/skt symmetrical layouts only. Consult factory for available insert arrangements.
2. Power to a given contact on one end will result in power to the contact directly opposite, regardless of identification marking.

#### MATERIAL/FINISH:

- Shell assembly—Al alloy/see 38999 Reference Information section Table I
- Contacts—Copper alloy/gold plate
- Insulators—High-grade rigid dielectric/ N.A.
- Seals—Silicone/ N.A



# Sav-Con® connector savers

## MIL-DTL-38999 Series III

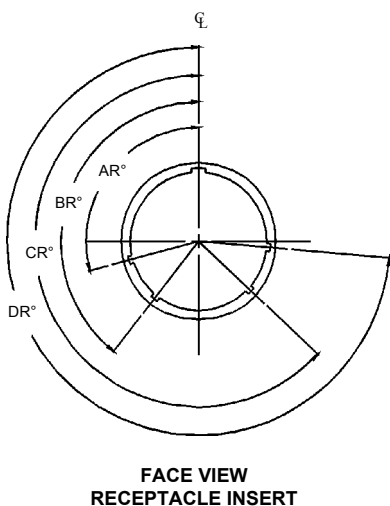
### Reference Information



Plating Code	Material	Finish
M	Aluminum	Electroless Nickel
B		Cad Plate, Olive Drab
NF		Cadmium Plate Olive Drab over Electroless Nickel
NC		Zinc-Cobalt
ZN		Olive Drab Zinc-Nickel
MT		Ni-PTFE 1000 Hour Grey™ (Nickel Fluorocarbon Polymer)
ZR		Zinc Nickel, Black
ME		Electroless Nickel (RoHS)

Shell Size Code	Shell Size Ref.	Insert Arr. Dash No.	Contact Size			
			22	20	16	12
A	9	9-3		3		
		9-35	6			
		9-44	4			
		9-98		3		
B	11	11-2			2	
		11-4		4		
		11-5		5		
		11-6		6		
		11-35	13			
		11-98		6		
		11-99		7		
C	13	13-4			4	
		13-8		8		
		13-35	22			
		13-98		10		
D	15	15-5			5	
		15-15		14	1	
		15-18		18		
		15-19		19		
		15-35	37			
E	17	15-97		8	4	
		17-6				6
		17-8			8	
		17-26		26		
		17-35	55			
F	19	17-99		21	2	
		19-11			11	
		19-28		26	2	
		19-30		29	1	
		19-32		32		
		19-35	66			
		19-45	67			

Shell Size Code	Shell Size Ref.	Insert Arr. Dash No.	Contact Size			
			22	20	16	12
G	21	21-35	79			
		21-11				11
		21-16			16	
		21-24		24		
		21-25		25		
		21-27		27		
		21-39		37	2	
H	23	21-41		41		
		23-35	100			
		23-2	85			
		23-21			21	
		23-32		32		
		23-34		34		
		23-36		36		
		23-53		53		
		23-55		55		
		23-97			16	
J	25	23-99			11	
		25-2	100			
		25-4		48	8	
		25-19				19
		25-24			12	12
		25-29			29	
		25-35	128			
25-43		23	20			
		25-61	61			



Shell Size Code	Shell Size Ref.	Alt. Keyway Code	AR°	BR°	CR°	DR°
A	09	N	105	140	215	265
		A	102	132	248	320
		B	80	118	230	312
		C	35	140	205	275
		D	64	155	234	304
		E	91	131	197	240
B	11	N	95	141	208	236
		A	113	156	182	292
C	13	B	90	145	195	252
		C	53	156	220	255
D	15	D	119	146	176	298
		E	51	141	184	242

Shell Size Code	Shell Size Ref.	Alt. Keyway Code	AR°	BR°	CR°	DR°
E	17	N	80	142	196	293
		A	135	170	200	310
		B	49	169	200	244
		C	66	140	200	257
		D	62	145	180	280
F	19	E	79	153	197	272
		N	80	142	196	293
		A	135	170	200	310
G	21	B	49	169	200	244
		C	66	140	200	257
H	23	D	62	145	180	280
		E	79	153	197	272