



Sav-Con[®] connector savers

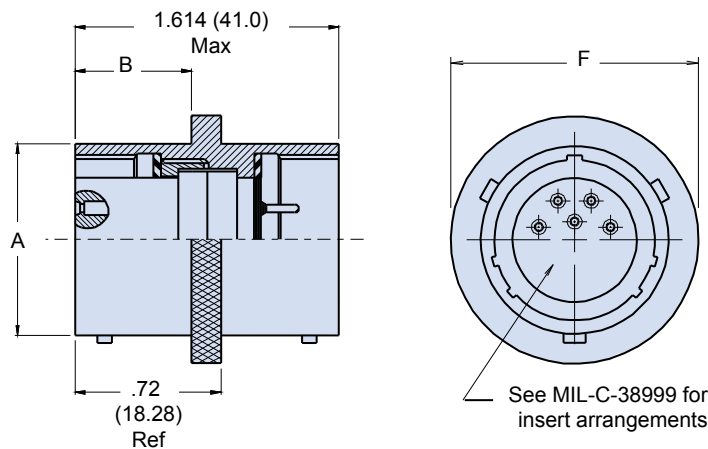


MIL-DTL-38999 Series I

GC443 In-Line Bayonet Coupling Gender Changer

HOW TO ORDER					
Sample Part Number	GC443	-A	NF	21-35	B
Series	GC443				
Style	A - In-line		B - Flange Mount		
Finish	See Table I				
Shell Size	See Table II				
Alternate Key Position	A, B, C, D, Omit for Normal; See Table III				

Style A In-Line



Dimensions						
Shell Size	A Dia Max	B	C +.010-.005 (+0.3-0.1)	D Dim	E Dim ±.020(0.5)	F Dia Max
09	.573(14.6)	.632(16.1)	.128(3.3)	.719(18.3)	.938(23.8)	.859(21.8)
11	.701(17.8)	.632(16.1)	.128(3.3)	.812(20.6)	1.031(26.2)	.984(25.0)
13	.851(21.6)	.632(16.1)	.128(3.3)	.906(23.0)	1.125(28.6)	1.156(29.4)
15	.976(24.8)	.632(16.1)	.128(3.3)	.969(24.6)	1.219(31.0)	1.281(32.5)
17	1.101(28.0)	.632(16.1)	.128(3.3)	1.062(27.0)	1.312(33.3)	1.406(35.7)
19	1.208(30.7)	.632(16.1)	.128(3.3)	1.156(29.4)	1.438(36.5)	1.516(38.5)
21	1.333(33.9)	.602(15.3)	.147(3.7)	1.250(31.8)	1.562(39.7)	1.641(41.7)
23	1.458(37.0)	.602(15.3)	.147(3.7)	1.375(34.9)	1.688(42.9)	1.766(44.9)
25	1.583(40.2)	.602(15.3)	.147(3.7)	1.500(38.1)	1.812(46.0)	1.891(48.0)

MATERIAL/FINISH:

- Shell assembly—Al alloy/see 38999 Reference Information section Table I
- Bayonet pins—CRES/passivate
- Contacts—copper alloy/gold plate
- Insulators—high-grade rigid dielectric/N.A.
- Interfacial & peripheral seals—silicone/ N.A.





Sav-Con[®] connector savers

MIL-DTL-38999 Series I

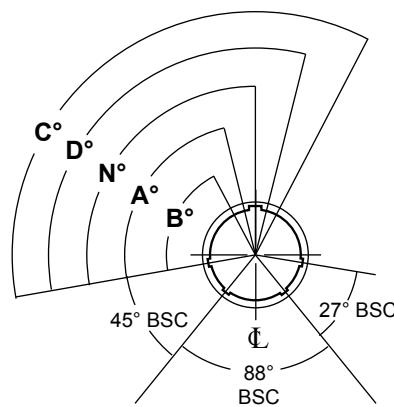
Reference Information



Plating Code	Material	Finish
M	Aluminum	Electroless Nickel
B		Cad Plate, Olive Drab
NF		Cadmium Plate Olive Drab over Electroless Nickel
NC		Zinc-Cobalt
ZN		Olive Drab Zinc-Nickel
MT		Ni-PTFE 1000 Hour Grey™ (Nickel Fluorocarbon Polymer)
ZR		Zinc Nickel, Black
ME		Electroless Nickel (RoHS)

Shell Size Desig.	Insert Arr. Dash No.	Contact Size and Qty			
		22	20	16	12
9	9-3		3		
	9-44	4			
	9-35	6			
	9-98		3		
11	11-2			2	
	11-4		4		
	11-5		5		
	11-6		6		
	11-35	13			
	11-98		6		
	11-99		7		
13	13-4			4	
	13-8		8		
	13-35	22			
	13-98		10		
15	15-5			5	
	15-15		14	1	
	15-18		18		
	15-19		19		
	15-35	37			
17	15-97		8	4	
	17-6				6
	17-8			8	
	17-26		26		
19	17-35	55			
	17-99		21	2	
	19-11			11	
	19-28		26	2	
	19-30		29	1	
	19-32		32		
	19-35	66			
	19-45	67			

Shell Size Desig.	Insert Arr. Dash No.	Contact Size and Qty			
		22	20	16	12
21	21-35	79			
	21-11				11
	21-16			16	
	21-24		24		
	21-25		25		
	21-27		27		
	21-39		37	2	
	21-41		41		
23	23-35	100			
	23-2	85			
	23-21			21	
	23-32		32		
	23-34		34		
	23-36		36		
	23-53		53		
	23-55		55		
25	23-97			16	
	23-99			11	
	25-2	100			
	25-4		48	8	
	25-19				19
	25-24			12	12
	25-29			29	
	25-35	128			
25-43		23	20		
25-61		61			



FACE VIEW
RECEPTACLE

Shell Size Desig.	N°	A°	B°	C°	D°
9	95	77	-	-	113
11	95	81	67	123	109
13	95	75	63	127	115
15	95	74	61	129	116
17	95	77	65	125	113
19	95	77	65	125	113
21	95	77	65	125	113
23	95	80	69	121	110
25	95	69	69	121	110

D