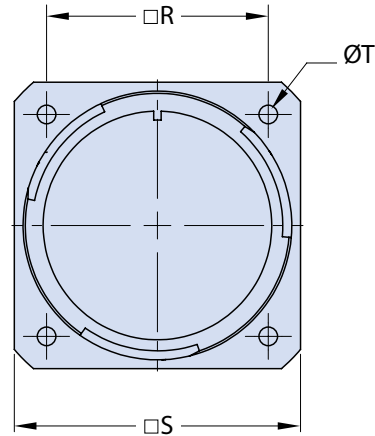
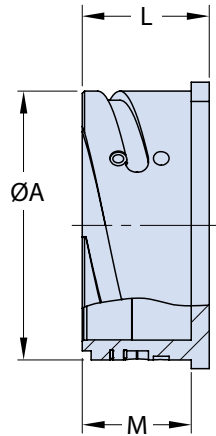
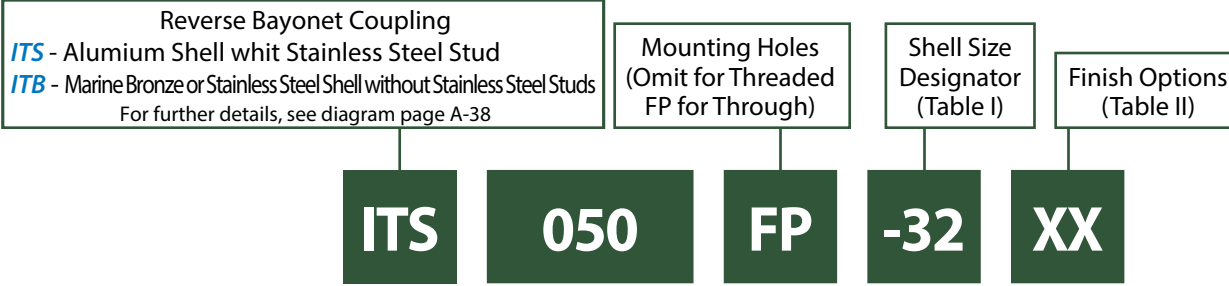


**ITS 050-XX  
Dummy Receptacle for Rear Panel Mounting**



**TABLE I: DUMMY PLUG RECEPTACLE  
SHELL SIZE & DIMENSIONS**

Shell Size	$\begin{matrix} \text{ØA} \\ +0.2 \\ -0.1 \end{matrix}$	L Max.	$\begin{matrix} M \\ +0.2 \\ 0 \end{matrix}$	$\begin{matrix} R \\ \pm 0.2 \end{matrix}$	$\begin{matrix} S \\ \pm 0.2 \end{matrix}$	T Threaded Holes	$\begin{matrix} \text{ØT} \\ +0.2 \\ 0 \end{matrix}$
10 SL	18.2	21.6	18.4	18.25	25.4	M4	3.2
14 S	24.5	21.8	18.4	23.00	30.4	M4	3.2
16 S	27.2	21.8	18.4	24.60	32.5	M4	3.2
16	27.2	26.8	23.2	24.60	32.5	M4	3.2
18	30.7	27.6	23.2	27.00	35.0	M4	3.2
20	34.0	27.6	23.2	29.40	38.0	M4	3.2
22	37.3	27.6	23.2	31.75	41.0	M4	3.2
24	40.9	27.6	23.2	34.90	44.5	M4	3.7
28	46.7	28.6	24.2	39.70	50.9	M5	3.7
32	53.4	28.6	24.2	44.45	57.0	M5	4.3
36	59.6	28.6	24.2	49.20	63.5	M5	4.3
40	65.5	28.6	24.2	55.55	69.9	M5	4.3

**TABLE II**

STANDARD MATERIAL AND FINISH (*)		
Sym	Description	RoHS
	Omit for Aluminum/ Cadmium Olive Drab	
F6	Aluminum/ Black Electrodeposited Paint	✓
F7	Aluminum/ Black Zinc Nickel	✓
F11	Aluminum/ Electroless Nickel	✓
MB	Marine Bronze/ Unplated	✓
FK	Stainless Steel/ Passivate	✓

(\*) For further options, please contact the factory.

**Application Notes**

1. Dummy receptacle for rear panel mounting rear side closed.
2. Standard materials configuration consists of aluminum alloy. For platings, see TABLE II finish options.