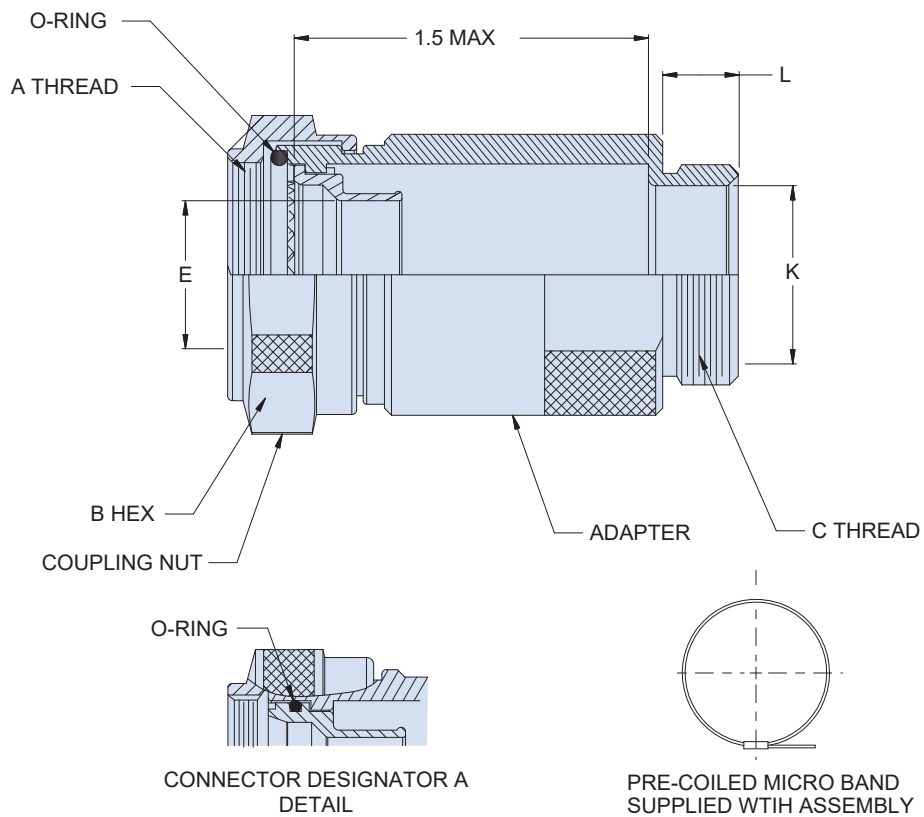
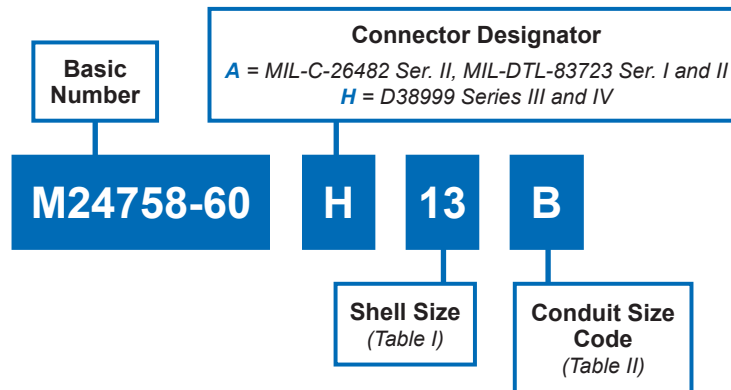


**A**



**MIL-PRF-24758-60**  
**Adapter with EMI/RFI Shield Termination Drop-In**  
**for Connector Adapters**



MIL-PRF  
24758A

**A**

**TABLE I: Shell Size, Thread, and Dimensions**

SHELL SIZE	A THREAD (PER CONNECTOR DESIGNATOR)		B HEX		E DIA REF	
	A CODE	H CODE	A CODE	H CODE	A CODE	H CODE
<b>08/09</b>	1/2 - 20 UNF	M12 X 1.0 - 6H	.750 (19.1)	.687 (17.45)	.160 (4.1)	.160 (4.06)
<b>10/11</b>	5/8 - 24 UNEF	M15 X 1.0 - 6H	.875 (22.2)	.812 (20.62)	.270 (6.9)	.270 (6.86)
<b>12/13</b>	3/4 - 20 UNEF	M18 X 1.0 - 6H	1.000 (25.4)	.937 (23.80)	.390 (9.9)	.390 (9.91)
<b>14/15</b>	7/8 - 20 UNEF	M22 X 1.0 - 6H	1.125 (28.6)	1.062 (26.97)	.512 (13.0)	.512 (13.00)
<b>16/17</b>	1 - 20 UNEF	M25 X 1.0 - 6H	1.250 (31.8)	1.250 (31.75)	.610 (15.5)	.627 (15.93)
<b>18/19</b>	1 1/16 - 18 UNEF	M28 X 1.0 - 6H	1.375 (34.9)	1.375 (34.92)	.672 (17.1)	.747 (18.97)
<b>20/21</b>	1 3/16 - 18 UNEF	M31 X 1.0 - 6H	1.500 (38.1)	1.500 (38.10)	.797 (20.2)	.891 (22.63)
<b>22/23</b>	1 5/16 - 18 UNEF	M34 X 1.0 - 6H	1.625 (41.3)	1.625 (41.28)	.922 (23.4)	.996 (25.30)
<b>24/25</b>	1 7/16 - 18 UNEF	M37 X 1.0 - 6H	1.750 (44.5)	1.750 (44.45)	1.047 (26.6)	1.121 (28.47)
<b>28</b>	1 3/4 - 18 UNS		2.000 (50.8)		1.384 (35.2)	
<b>32</b>	2 - 18 UNS		2.250 (57.2)		1.630 (41.4)	
<b>36</b>	2 1/4 - 16 UN		2.438 (61.9)		1.845 (46.9)	

**TABLE II: Conduit Size Code**

CONDUIT SIZE CODE	C CLASS - 2A THREAD	L +.03 -.00	K DIA MIN
<b>A</b>	.438-28 UNEF	.21 (5.3)	.245 (6.22)
<b>B</b>	.688-24 UNEF	.25 (6.4)	.495 (12.57)
<b>C</b>	.938-20 UNEF	.31 (7.9)	.745 (18.92)
<b>D</b>	1.250-18 UNEF	.37 (9.4)	.995 (25.27)
<b>E</b>	1.563-18 UNEF	.37 (9.4)	1.245 (31.62)
<b>F</b>	1.875-16 UN	.43 (10.9)	1.495 (37.97)
<b>G</b>	2.375-16 UN	.43 (10.9)	1.995 (50.67)
<b>H</b>	2.875-16 UN	.43 (10.9)	2.495 (63.37)
<b>J</b>	.563-24 UNEF	.25 (6.4)	.370 (9.40)
<b>K</b>	.813-20 UNEF	.31 (7.9)	.620 (15.75)
<b>L</b>	3.375-16 UN	.43 (10.9)	2.995 (76.07)

**APPLICATION NOTES**

1. Assembly identified with manufacturer's name and part number, space permitting.
2. See Glenair Circular Connector Accessories catalog for recommended torque values, group 2
3. Assembly supplied with Micro-Band for shield termination onto Drop-In-Follower
4. Material / Finish:  
 Adapter, coupling nut, drop-in-follower - 316L SST/  
 Electroless Nickel, matte finish  
 O-Ring - Silicone/N.A.  
 Band - SST/passivated
5. Metric dimensions (mm) are indicated in parentheses.