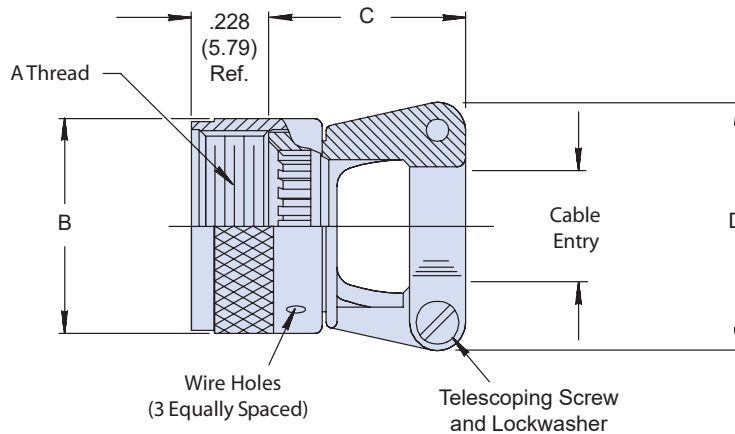


Material and Finish

W - Aluminum, Cadmium Plate, O.D. over Electroless Nickel
D - Corrosion Resistant Steel, Cadmium Plate, Black
L - Aluminum, Tin-Zinc Plate, over Electroless Nickel, Non-Reflective, RoHS



Designator	A Thread Class 2B	B Max. Diameter	C Max.	D Max.	Screw Size Ref.	Cable Entry	
						Min.	Max.
A (11)	.750-20 UNEF	1.028 (26.11)	1.091 (27.71)	.903 (22.94)	.114-40	.177 (4.50)	.286 (7.26)
B (13)	.875-20 UNEF	1.141 (28.98)	1.091 (27.71)	.977 (24.82)	.114-40	.177 (4.50)	.286 (7.26)
C (15)	1.000-20 UNEF	1.263 (32.08)	1.091 (27.71)	1.151 (29.24)	.114-40	.250 (6.35)	.416 (10.57)
D (17)	1.125-18 UNEF	1.387 (35.23)	1.206 (30.63)	1.281 (32.54)	.114-40	.291 (7.39)	.476 (12.09)
E (19)	1.250-18 UNEF	1.513 (38.43)	1.320 (33.53)	1.406 (35.71)	.114-40	.348 (8.84)	.626 (15.90)
F (23)	1.438-18 UNEF	1.703 (43.26)	1.445 (36.70)	1.576 (40.03)	.134-32	.429 (10.90)	.831 (21.11)
G (25)	1.562-18 UNEF	1.825 (46.36)	1.570 (39.88)	1.666 (42.32)	.134-32	.523 (13.28)	.956 (24.28)
H (29)	1.875-16 UN	2.143 (54.43)	1.721 (43.71)	2.046 (51.97)	.134-32	.643 (16.33)	1.081 (27.46)
J (33)	2.062-16 UNS	2.329 (59.16)	1.908 (48.46)	2.209 (56.11)	.162-32	.704 (17.88)	1.187 (30.15)