

# M28840/17 Plug Connector with Straight Strain Relief

B

Military Designator

Shell Size

Contact Style  
*P, S, F, G, D or E*

M28840/17

A

G

1

P

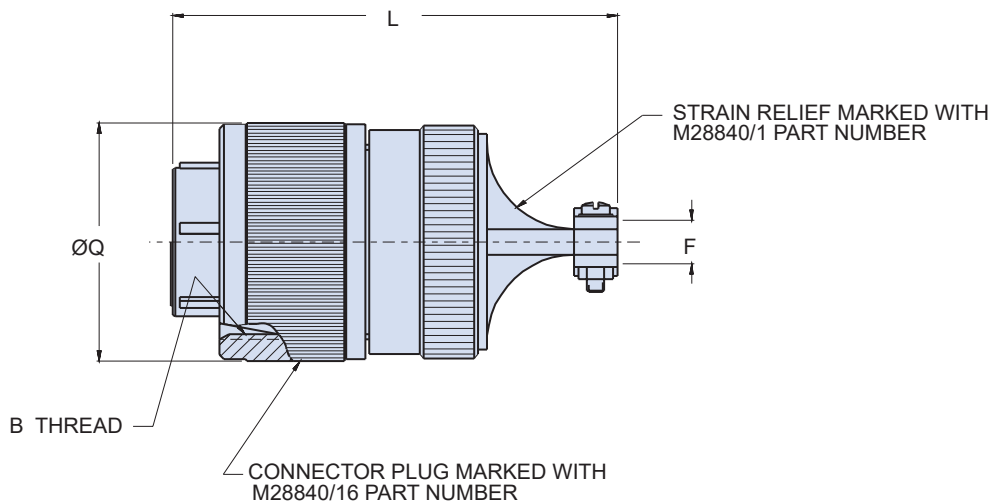
1

**Material and Finish**

*A - Class D: Aluminum, Cadmium Plate, O.D. over Electroless Nickel*  
*B - Class DS: Corrosion Resistant Steel, Cadmium Plate, Black*  
*L - Class T: Aluminum, Tin-Zinc Plate over Electroless Nickel, Non-Reflective*

Insert Arrangement

Key Position  
*1, 2, 3, 4, 5 and 6*



Designator	B Thread Class 2B	F Cable Entry		L Max.	Q Max.	Max. O.D. Over Rear Clamps
		Open	Closed			
A (11)	.750-1P-.2L-DS	.286	.177	2.438	1.028	.832
B (13)	.875-1P-.2L-DS	.286			1.141	
C (15)	1.062-1P-.2L-DS	.416	.250		1.263	.989
D (17)	1.125-1P-.2L-DS	.476	.291	2.688	1.387	1.094
E (19)	1.312-1P-.2L-DS	.626	.348	2.812	1.513	1.319
F (23)	1.500-1P-.2L-DS	.831	.429	2.938	1.703	1.557
G (25)	1.625-1P-.2L-DS	.956	.523	3.062	1.825	1.653
H (29)	1.812-1P-.2L-DS	1.081	.643	3.188	2.143	1.819
J (33)	2.000-1P-.2L-DS	1.187	.704	3.375	2.329	2.020