

M29504/3 • 181-051
Size 16 Dummy Terminus
for MIL-PRF-28876 Connectors



MIL-PRF
28876

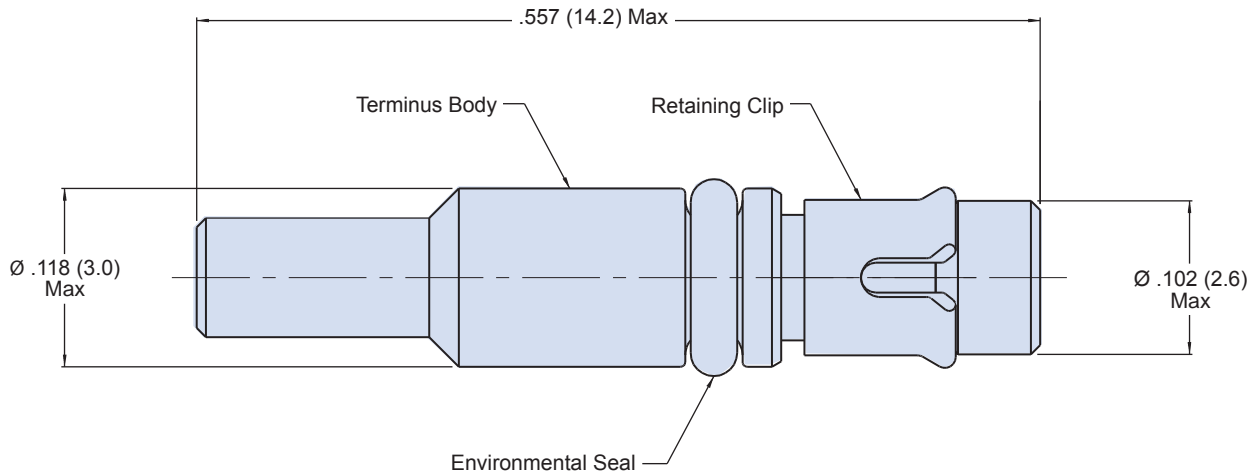


Size 16 M29504/3 fiber optic dummy terminus for MIL-PRF-28876 connectors



Table I: Part Number	
Mil-Spec Part Number	Commercial Part Number
M29504/3-4038	181-051

Table II: Tools and Accessories	
Part Number	Description
182-013	Insertion Tool, Straight
182-014	Insertion Tool, 90°
182-015	Removal Tool



Material and Finish

Terminus Body: Stainless Steel/Passivate
 Retaining Clip: Spring Alloy
 Seal: Fluorosilicone

Notes

See Glenair GAP-036 for assembly tools and procedures.